

THIS DRAWING AND SPECIFICATIONS, HEREIN, ARE THE PROPERTY OF INVENTEC CORPORATION AND SHALL NOT BE REPRODUCED, COPIED, OR USED IN WHOLE OR IN PART AS THE BASIS FOR THE MANUFACTURE OR SALE OF ITEMS WITHOUT WRITTEN PERMISSION, INVENTEC CORPORATION, 2009 ALL RIGHT RESERVED.

HSF Property: ROHS or Halogen-Free

# DAKAR10F/FG (45W CPU) MP(A02) BUILD

2012.03.23

DATE	CHANGE NO.	REV
21-FEB-2009		

EE	DATE	POWER	DATE	INVENTEC		
DRAWER	LOREN	2012.03.23	EDISON	2012.03.23		
DESIGN	LOREN	2012.03.23	EDISON	2012.03.23		
CHECK	BRYAN	2012.03.23	BY	2012.03.23	TITLE MODEL_PROJECT_FUNCTION DAKAR10F/FG MAIN BOARD	
RESPONSIBLE	BRYAN	2012.03.23	BY	2012.03.23		
SIZE	VER:			SIZE	CODE	DOC NUMBER
FILE TIME	PN			C	CS	13100000000000MTR
	XXX			SHEET	1	of 00

# TABLE OF CONTENTS

PAGE	PAGE	PAGE
1. COVER PAGE	26. CARDREADER	51. PCH 5 USB
2. INDEX	27. MINI1 WLAN/DEBUG CARD	52. PCH 6 MISC
3. BLOCK DIAGRAM	28. MINI2 3G/LTE	53. PCH 7 POWER
4. POWER MAP	29. SATA HDD/ODD CONN	54. PCH 8 POWER
5. POWER CHARGER	30. USB 2.0 CONN	55. PCH 9 GND
6. POWER +V3LA/+V3A/+5A	31. USB 3.0 CONTROLLER(REMOVE)	56. VGA 1
7. POWER +V1.5/+V0.75	32. USB 3.0 CONN W/ S&C	57. VGA 2
8. POWER +V1.8S	33. USB 3.0 CONN	58. VGA 3
9. POWER VCCIO	34. LCM CONN	59. VGA 4
10. POWER VCCSA	35. CRT CONN	60. VGA 5
11. POWER VCORE	36. HDMI CONN	61. VGA 6
12. POWER VGFX	37. HDMI CEC	62. VRAM 1
13. POWER VCORE_DGPU	38. DDR3 DIMM0	63. VRAM 2
14. ENABLE PIN	39. DDR3 DIMM1	64. VRAM 3
15. LOAD SWITCH-1	40. FAN & THERMAL SENSOR	65. VRAM 4
16. LOAD SWITCH-2	41. CPU 1	66. USB BOARD
17. PCB SCREW	42. CPU 2	67. PICK BUTTON BOARD(4 PIN)
18. HALL SENSOR	43. CPU 3 DRAM	68. POWER BUTTON BOARD
19. LED	44. CPU 4 POWER	69. EMI
20. K/B & TP/B CONN	45. CPU 5 POWER	70. PICK BUTTON BOARD(8 PIN)
21. EC	46. CPU 6 GND	
22. LAN	47. PCH 1	
23. RJ45 & TRANSFORMER	48. PCH 2	
24. AUDIO CODEC	49. PCH 3	
25. SPEAKER/HP JACK/MIC JACK	50. PCH 4 AXG	

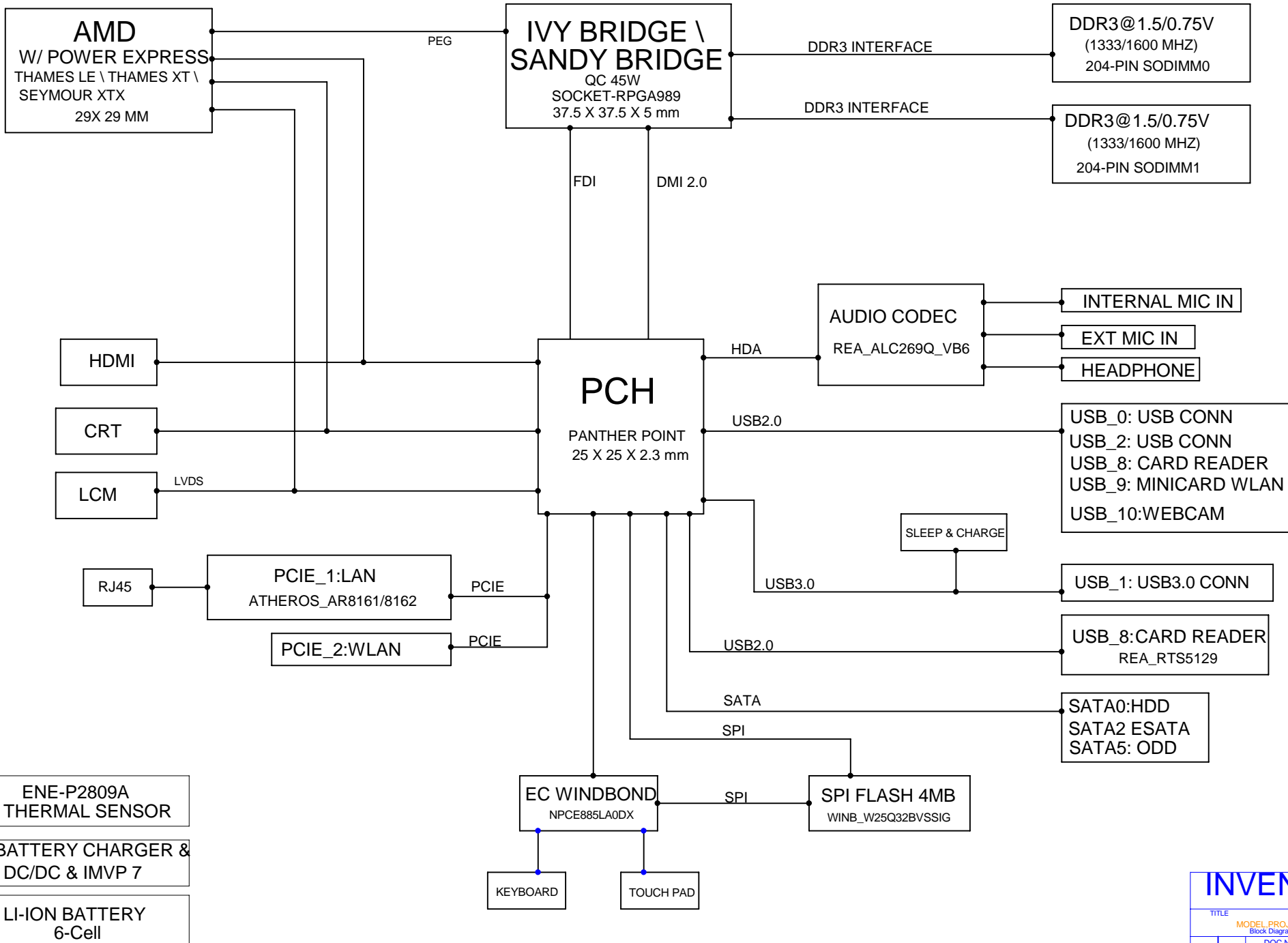
**INVENTEC**

TITLE			
MODEL,PROJECT,FUNCTION Block Diagram			
SIZE A3	CODE CS	DOC NUMBER 1310xxxxx-0-0	REV X01

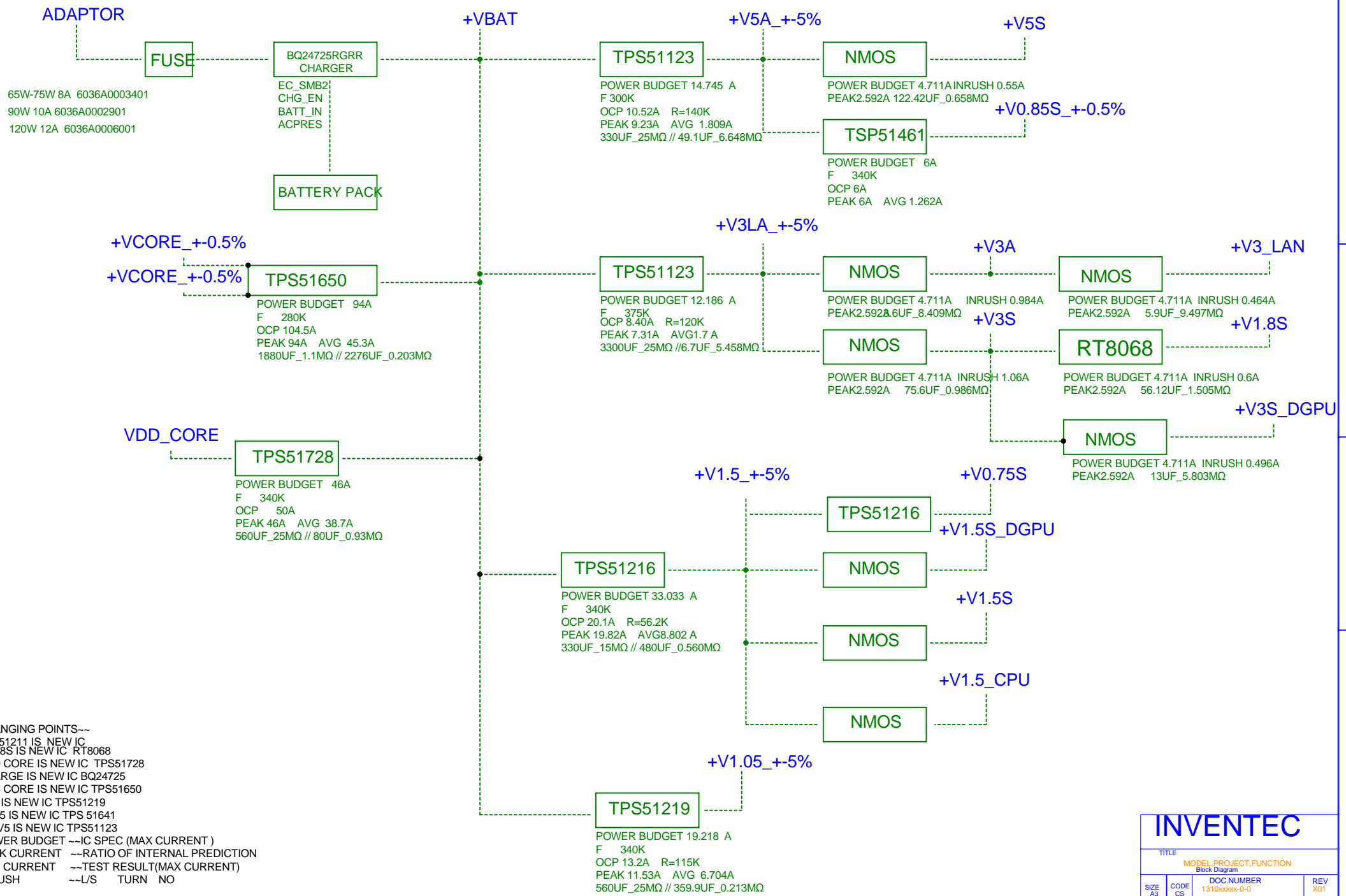
CHANGE by XXX

DATE 21-OCT-2002

SHEET 2 of 70

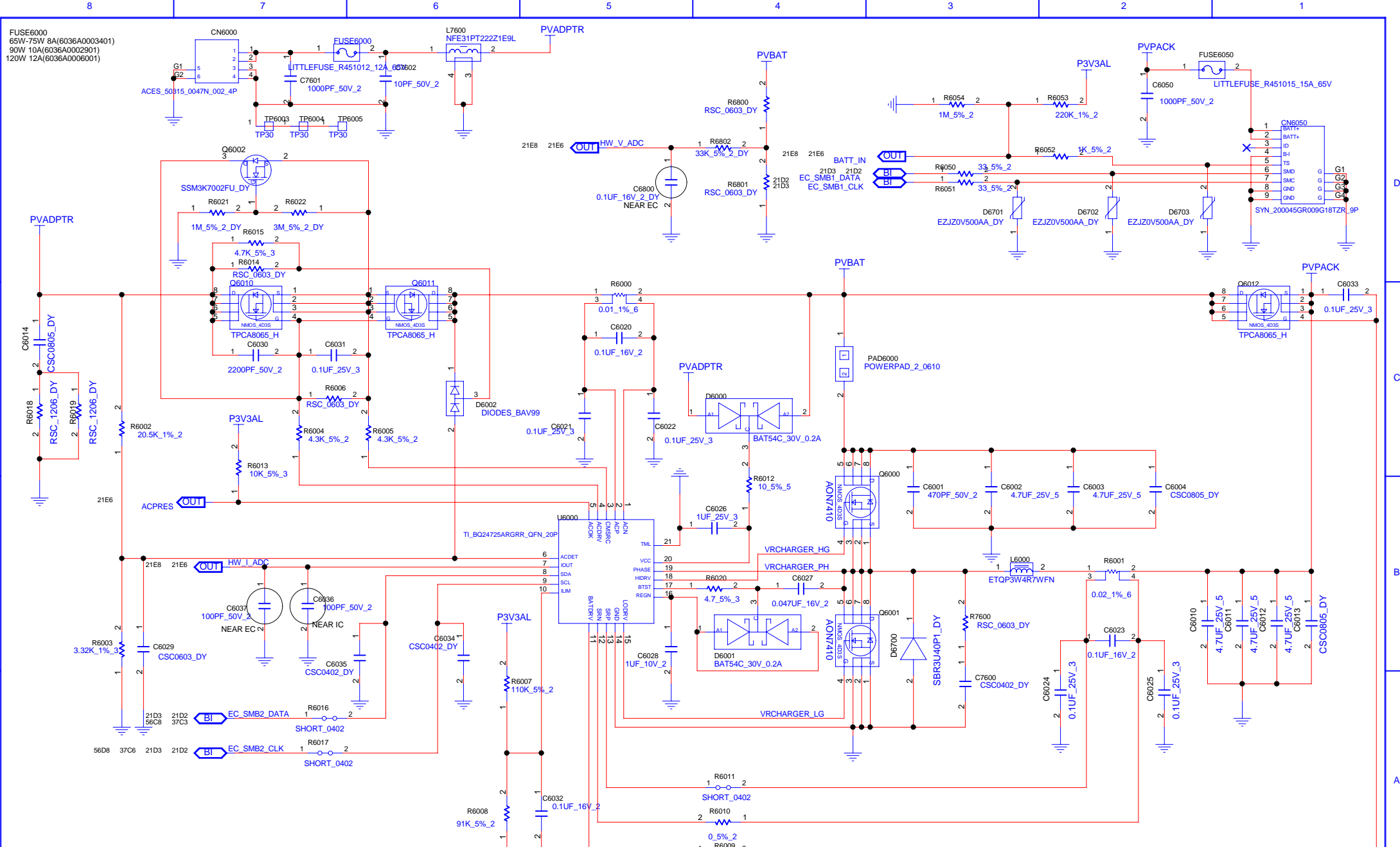


<b>INVENTEC</b>			
TITLE			
MODEL PROJECT.FUNCTION			
Block Diagram			
SIZE	CODE	DOC NUMBER	REV
A3	CS	1310xxxx-0-0	X01
CHANGE by XXX		DATE 21-OCT-2002	SHEET 3 of 70

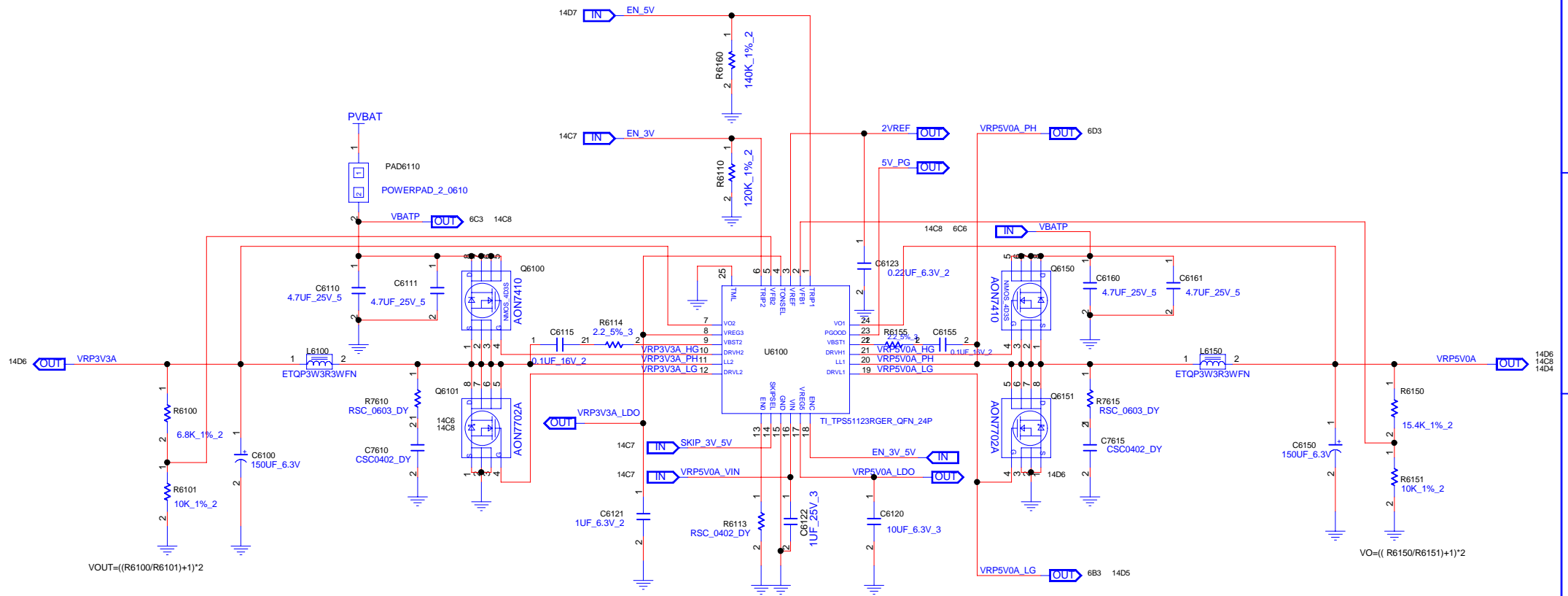


CHANGING POINTS--  
 TPS51211 IS NEW IC  
 +V1.85S IS NEW IC RT8068  
 VDD CORE IS NEW IC TPS51728  
 CHARGE IS NEW IC BQ24725  
 VCC CORE IS NEW IC TPS51650  
 VTT IS NEW IC TPS51219  
 V0.85 IS NEW IC TPS 51641  
 V3\_V5 IS NEW IC TPS51123  
 POWER BUDGET --IC SPEC (MAX CURRENT )  
 PEAK CURRENT --RATIO OF INTERNAL PREDICTION  
 AVG CURRENT --TEST RESULT(MAX CURRENT)  
 INRUSH --L/S TURN NO

<b>INVENTEC</b>			
TITLE			
MODEL PROJECT.FUNCTION Block Diagram			
SIZE A3	CODE CS	DOC NUMBER 1310xxxx-0-0	REV X01
CHANGE by XXX		DATE 21-OCT-2002	SHEET 4 of 70



<b>INVENTEC</b>			
TITLE			
MODEL PROJECT FUNCTION			
Block Diagram			
SIZE		DOC NUMBER	
A3	CS	1310xxxx-0-0	REV
DATE		SHEET	
21-OCT-2002		5 of 70	

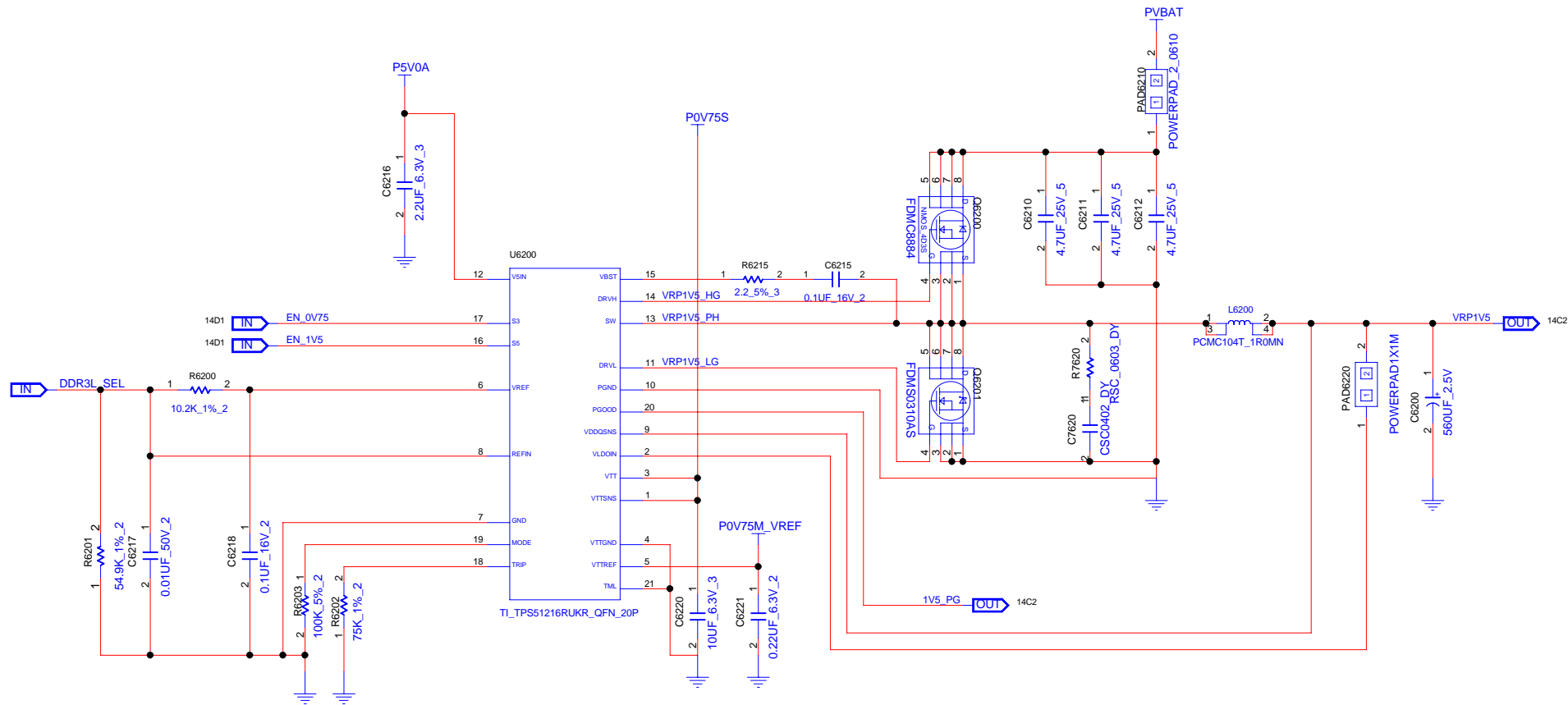


**INVENTEC**

TITLE			
MODEL PROJECT FUNCTION			
Block Diagram			
SIZE	CODE	DOC NUMBER	REV
A3	CS	1310xxxx-0-0	X01

CHANGE by XXX DATE 21-OCT-2002

SHEET 6 of 70

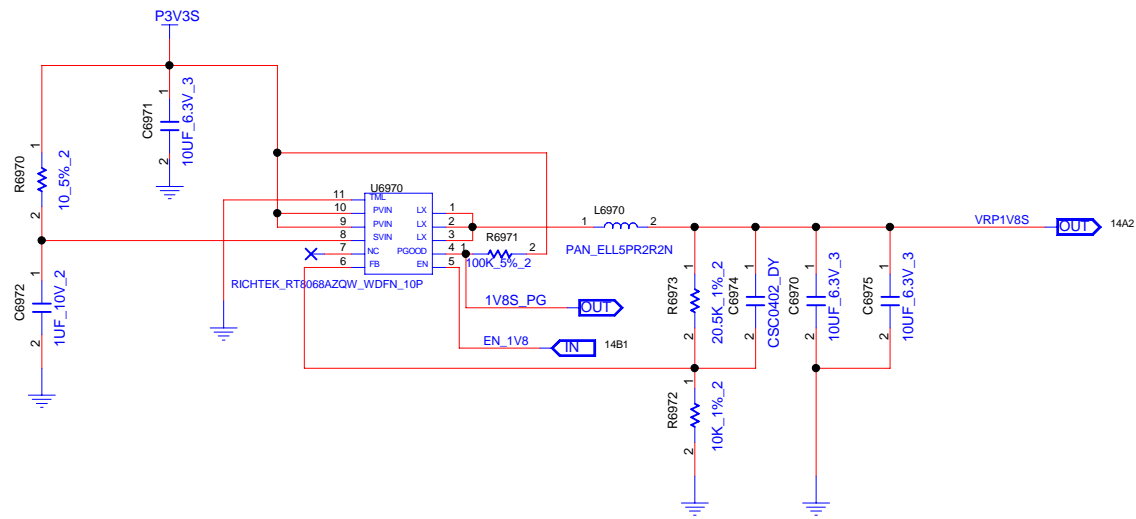


$V_{OUT} = V_{REF} \cdot \frac{R6201}{R6201 + R6200}$   
 MODE=100KOHM:TRACKING DISCHARGE

STATE	S3	S5	VREF	VDDQ	VTTREF	VTT
S0	HI	HI	ON	ON	ON	ON
S3	LO	HI	ON	ON	ON	OFF(High-Z)
S4/S5	LO	LO	OFF	OFF(Discharge)	OFF(Discharge)	OFF(Discharge)

# INVENTEC

TITLE			
MODEL PROJECT.FUNCTION			
Block Diagram			
SIZE	CODE	DOC NUMBER	REV
A3	CS	1310xxxx-0-0	X01



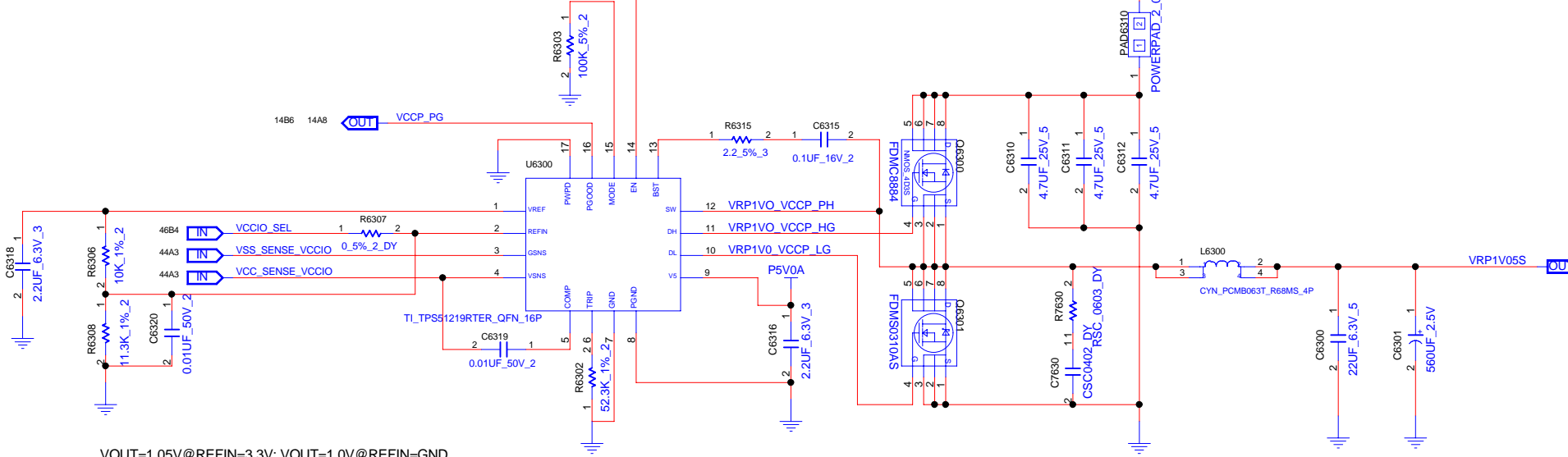
**INVENTEC**

TITLE			
MODEL,PROJECT,FUNCTION Block Diagram			
SIZE A3	CODE CS	DOC NUMBER 1310xxxx-0-0	REV X01



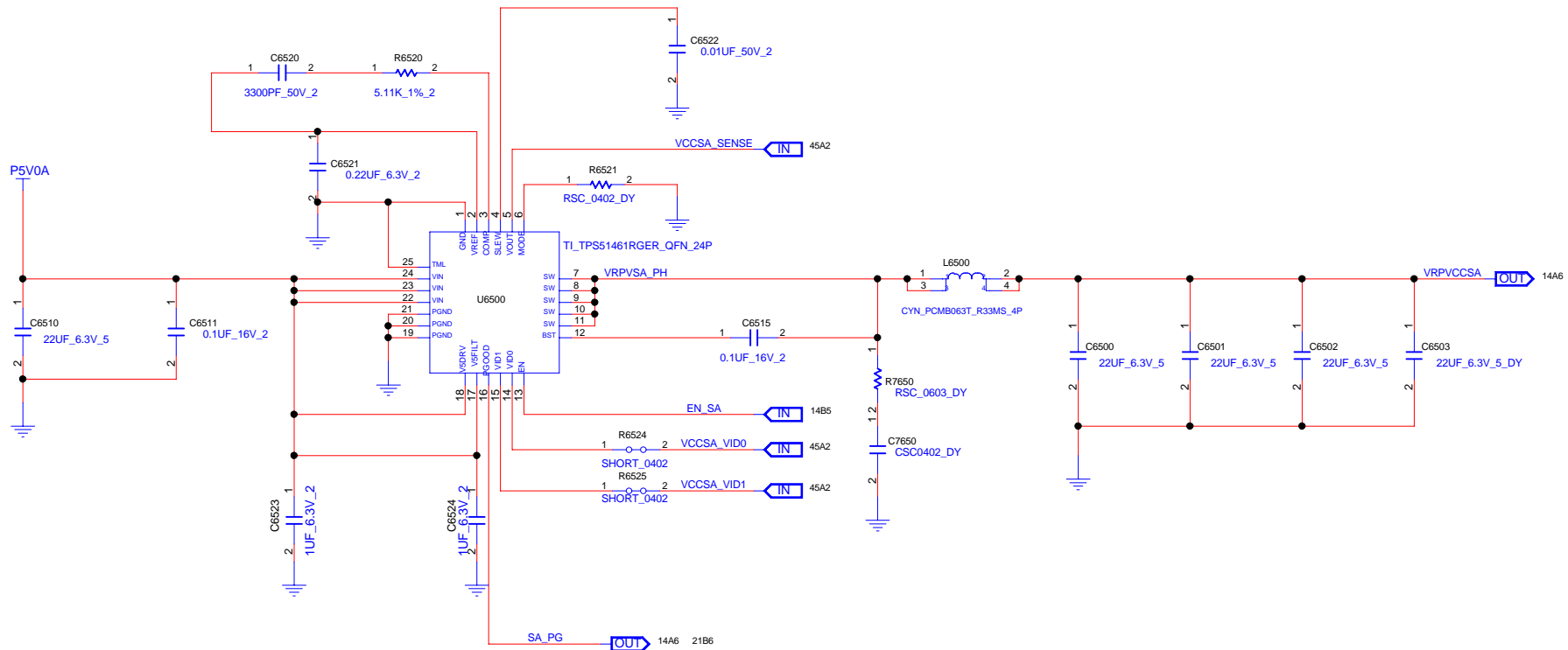


VOUT=1.05V@REFIN=3.3V; VOUT=1.0V@REFIN=GND



**INVENTEC**

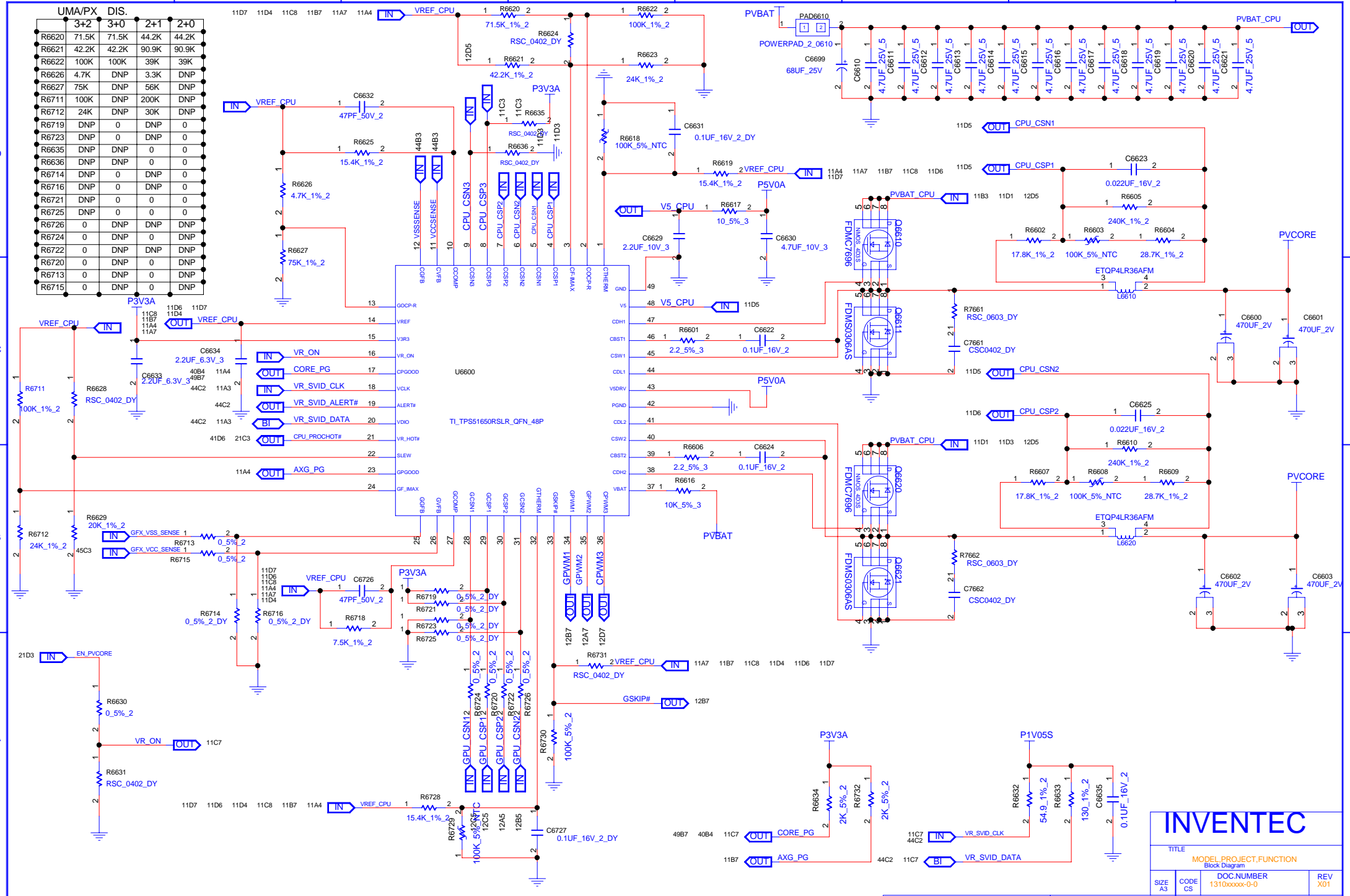
TITLE			
MODEL PROJECT FUNCTION Block Diagram			
SIZE A3	CODE CS	DOC NUMBER 1310xxxx-0-0	REV X01



**INVENTEC**

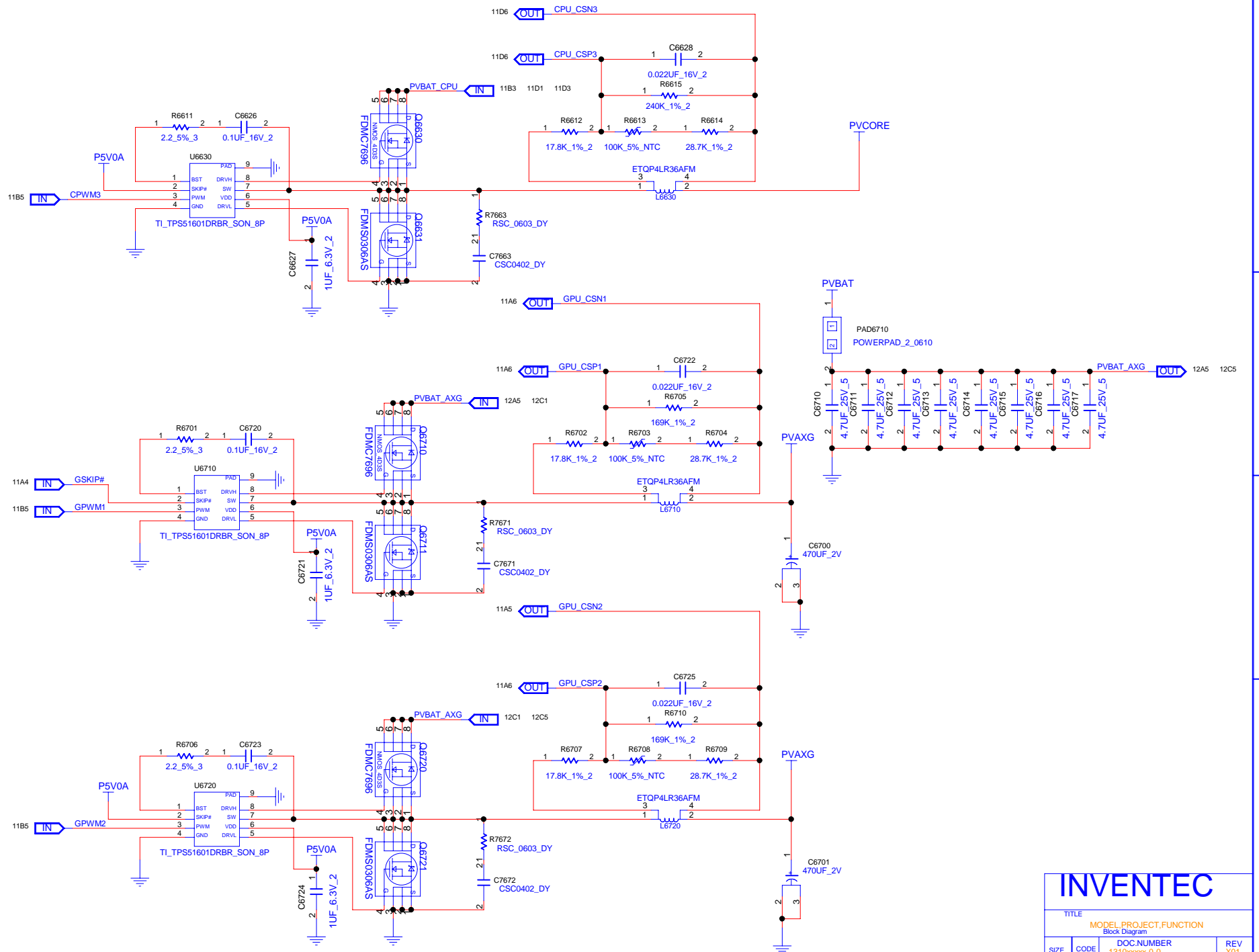
TITLE			
MODEL,PROJECT,FUNCTION Block Diagram			
SIZE A3	CODE CS	DOC NUMBER 1310xxxxx-0-0	REV X01

UMA/PX DIS.	3+2	3+0	2+1	2+0
R6620	71.5K	71.5K	44.2K	44.2K
R6621	42.2K	42.2K	90.9K	90.9K
R6622	100K	100K	39K	39K
R6626	4.7K	DNP	3.3K	DNP
R6627	75K	DNP	56K	DNP
R6711	100K	DNP	200K	DNP
R6712	24K	DNP	30K	DNP
R6719	DNP	0	DNP	0
R6723	DNP	0	DNP	0
R6635	DNP	DNP	0	0
R6636	DNP	DNP	0	0
R6714	DNP	0	DNP	0
R6716	DNP	0	DNP	0
R6721	DNP	0	0	0
R6725	DNP	0	0	0
R6726	0	DNP	DNP	DNP
R6724	0	DNP	DNP	DNP
R6722	0	DNP	DNP	DNP
R6720	0	DNP	DNP	DNP
R6713	0	DNP	0	DNP
R6715	0	DNP	0	DNP



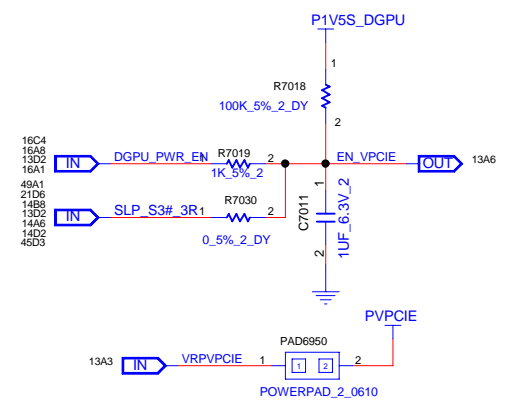
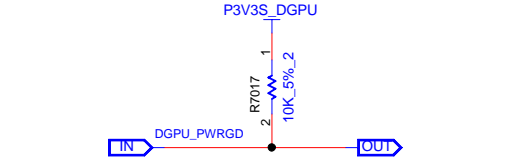
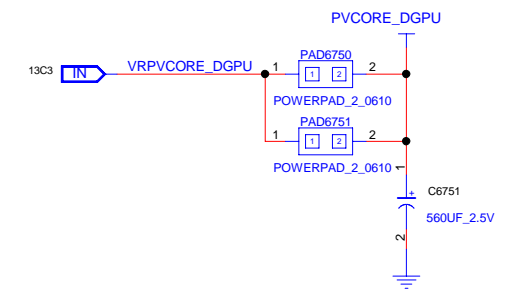
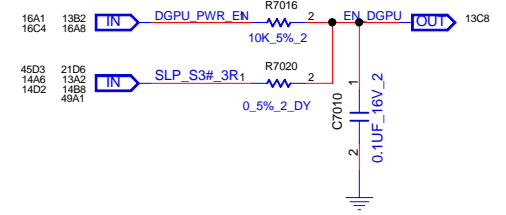
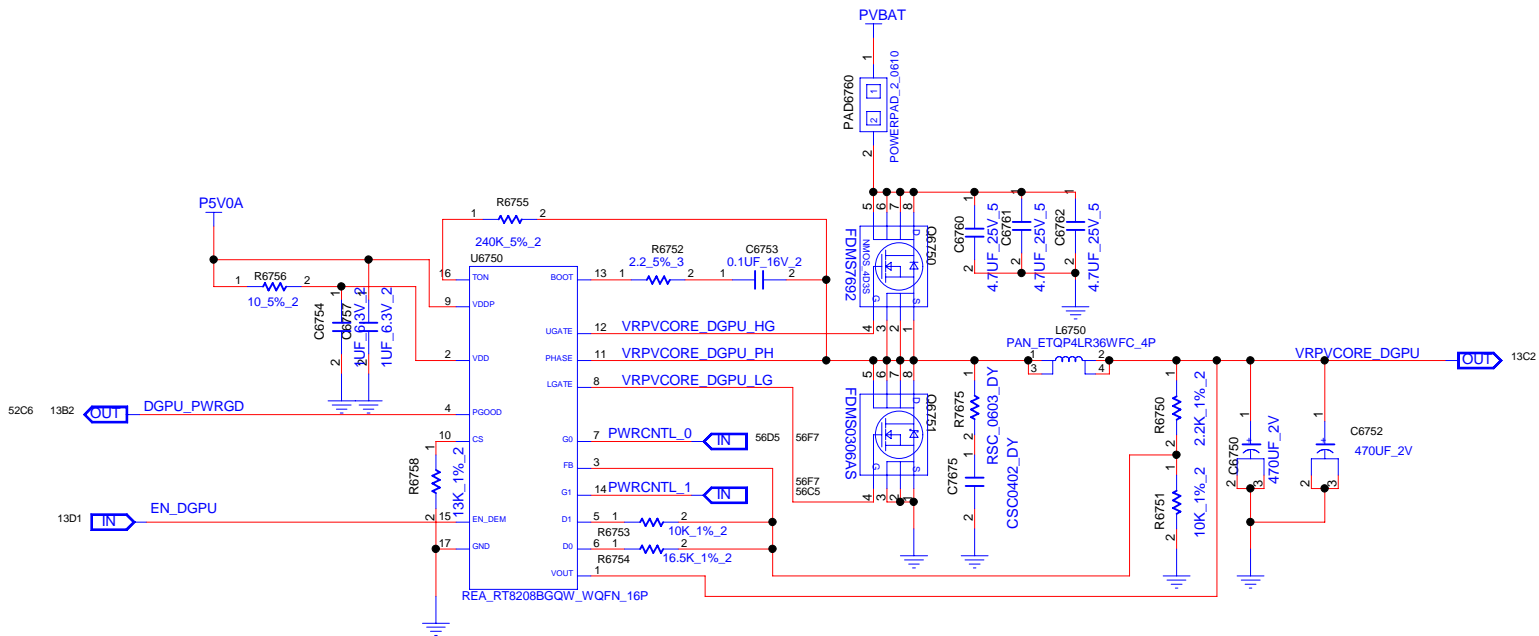
**INVENTEC**

TITLE			
MODEL PROJECT FUNCTION			
Block Diagram			
SIZE	CODE	DOC NUMBER	REV
A3	CS	1310xxxx-0-0	X01
CHANGE by XXX		DATE 21-OCT-2002	SHEET 11 of 70



# INVENTEC

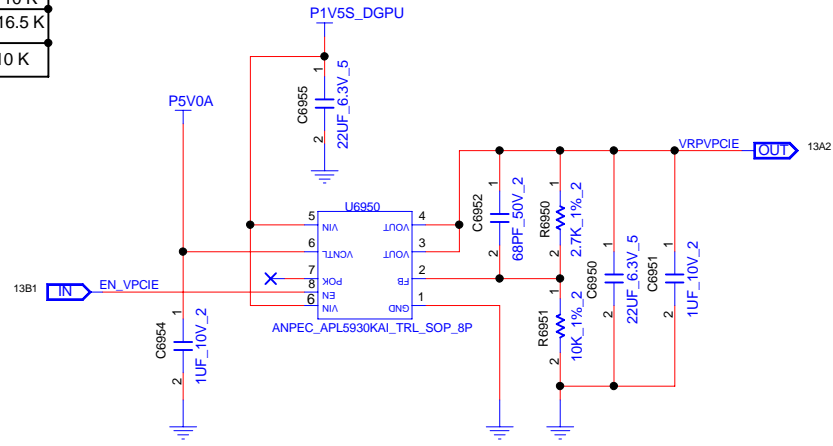
TITLE			
MODEL PROJECT.FUNCTION			
Block Diagram			
SIZE A3	CODE CS	DOC NUMBER 1310xxxx-0-0	REV X01



P.S. R6750(R1)R6751(R2)R6753(R3)R6754(R4)

VGA TYPE :	SEYMOUR XT	THAMES XT	THAMES LE	RESISTOR VALUE	
G0	G1	VOUT	VOUT	VOUT	RESISTOR VALUE
0	0	1.15	N/A	N/A	R6750(R1) 2.2 K
0	1	1.05	N/A	N/A	R6751(R2) 10 K
1	0	1	1	1	R6754(R3) 16.5 K
1	1	0.9	0.9	0.9	R6753(R4) 10 K

RT8208A	RT8208B	Output Voltage Equation		
G0	G1	G0	G1	
0	0	1	1	$V_{OUT} = \frac{R1+R2}{R2} \times 0.75$
1	0	0	1	$V_{OUT} = \frac{R1+(R2/R3)}{(R2/R3)} \times 0.75$
0	1	1	0	$V_{OUT} = \frac{R1+(R2/R4)}{(R2/R4)} \times 0.75$
1	1	0	0	$V_{OUT} = \frac{R1+(R2/R3/R4)}{(R2/R3/R4)} \times 0.75$



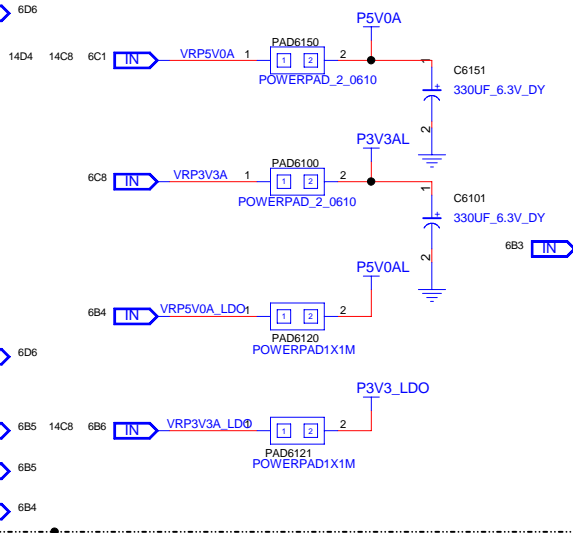
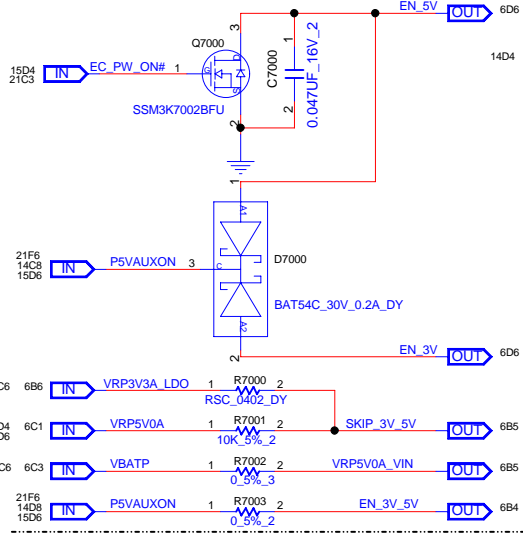
**INVENTEC**

TITLE: MODEL PROJECT FUNCTION  
Block Diagram

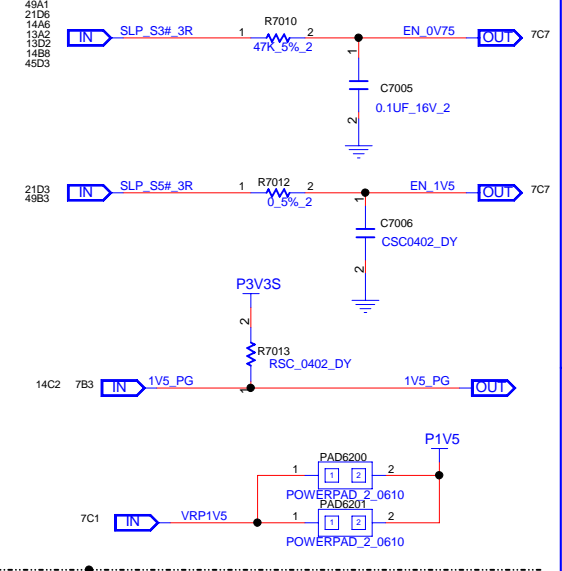
SIZE A3	CODE CS	DOC NUMBER 1310xxxx-0-0	REV X01
---------	---------	-------------------------	---------

CHANGE by XXX DATE 21-OCT-2002 SHEET 13 of 70

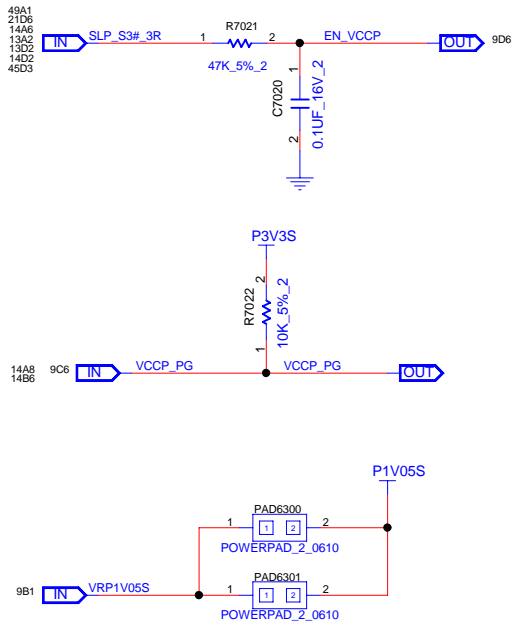
# 3V & 5V



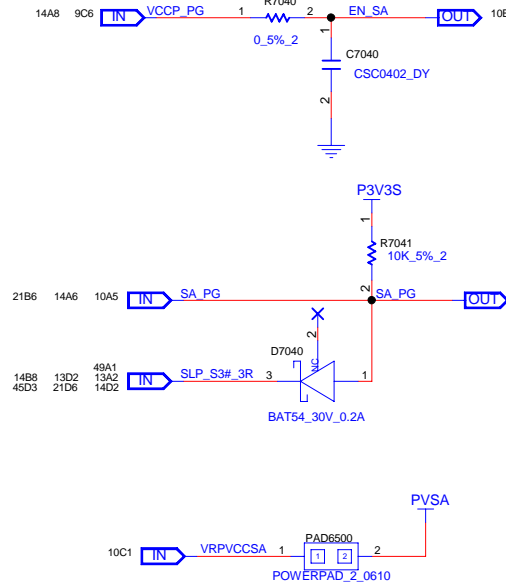
# DDR\_P1V5



# VCCIO

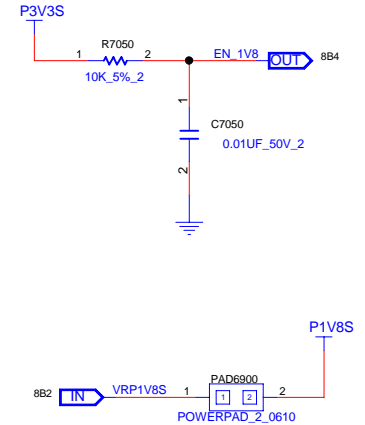


# VCCSA



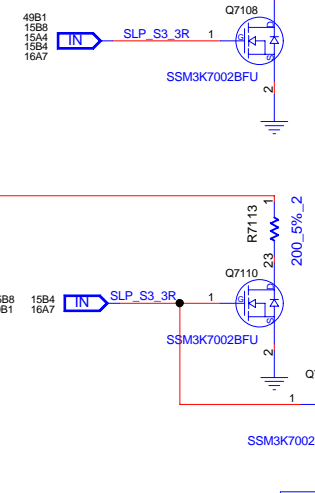
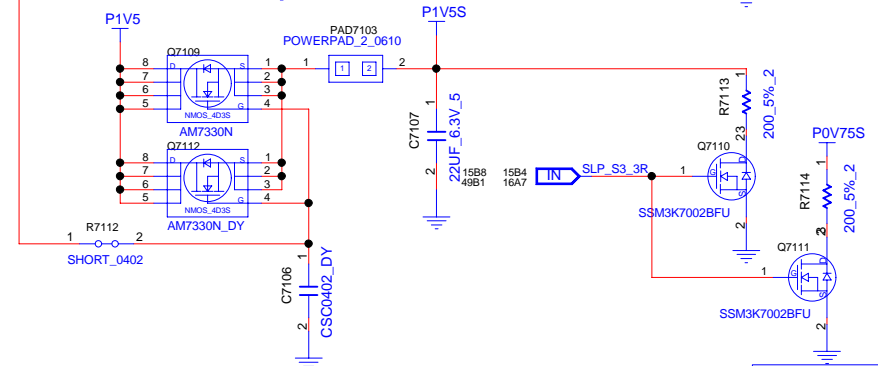
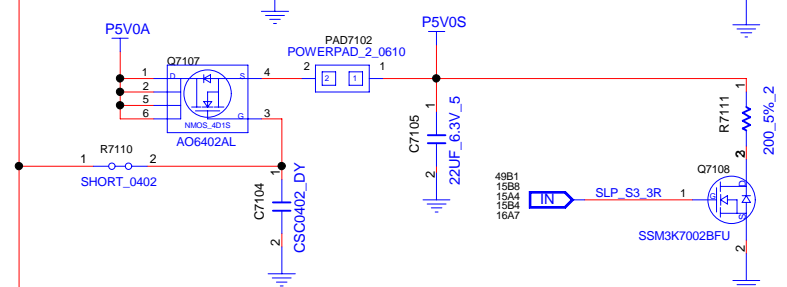
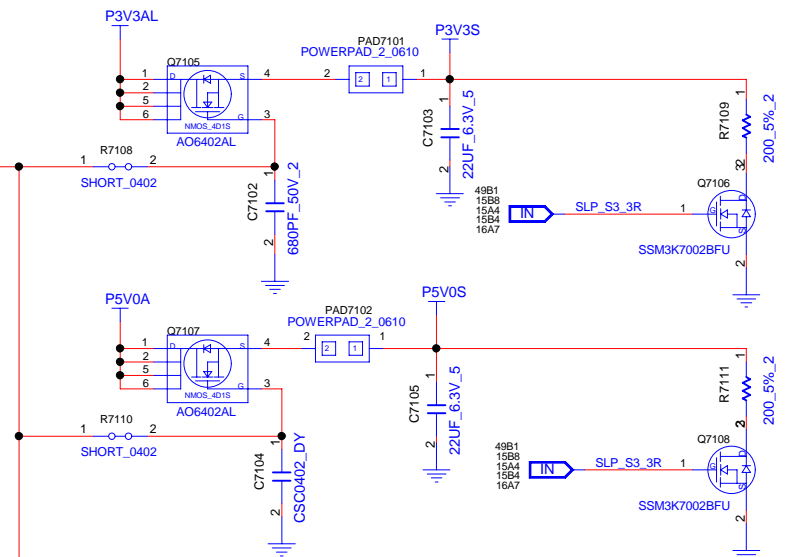
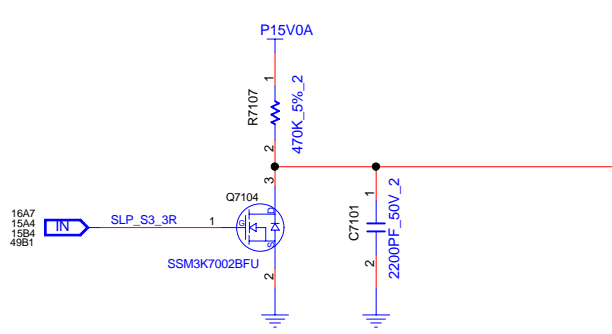
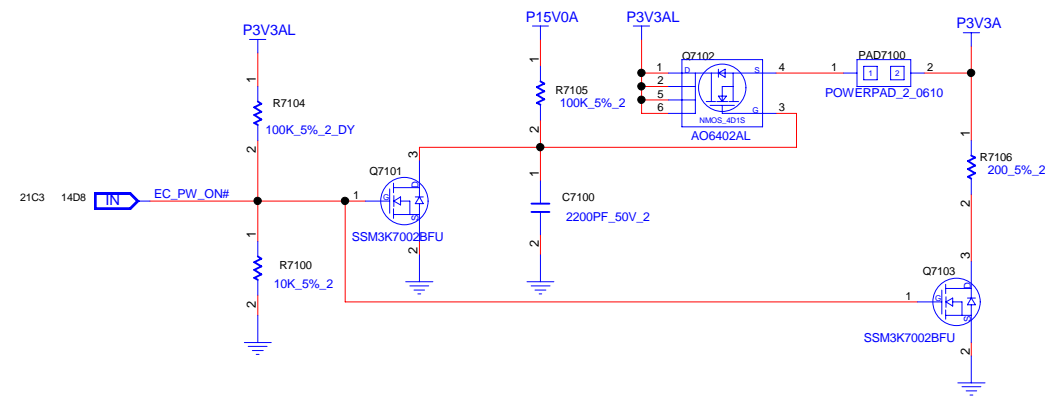
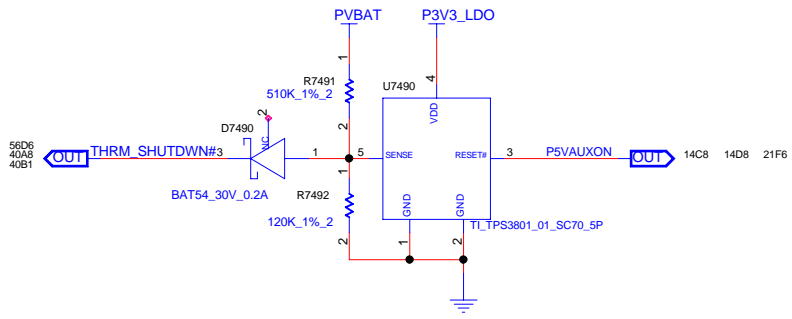
# DGPU

# P1V8S

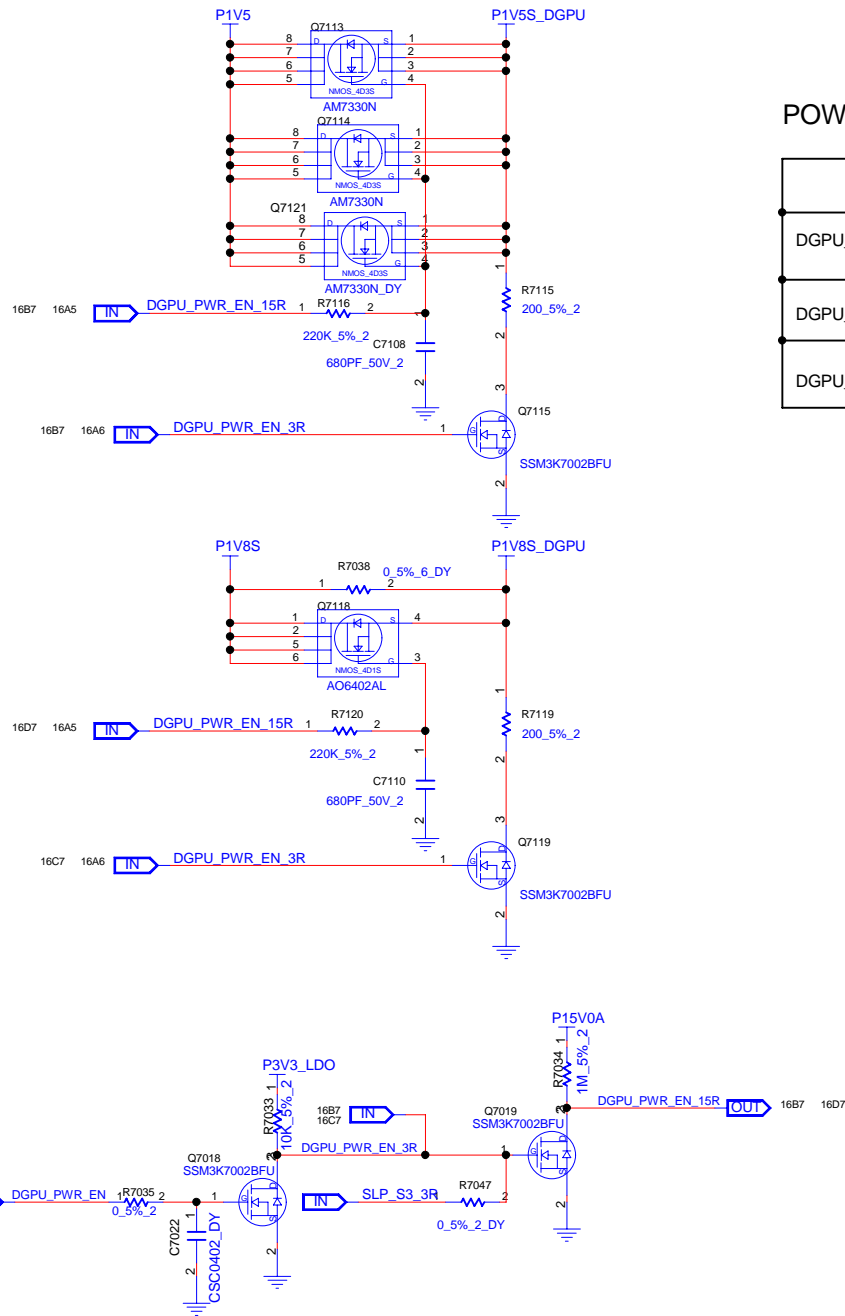


**INVENTEC**

TITLE			
MODEL,PROJECT,FUNCTION			
Block Diagram			
SIZE	CODE	DOC NUMBER	REV
A3	CS	1310xxxxx-0-0	X01

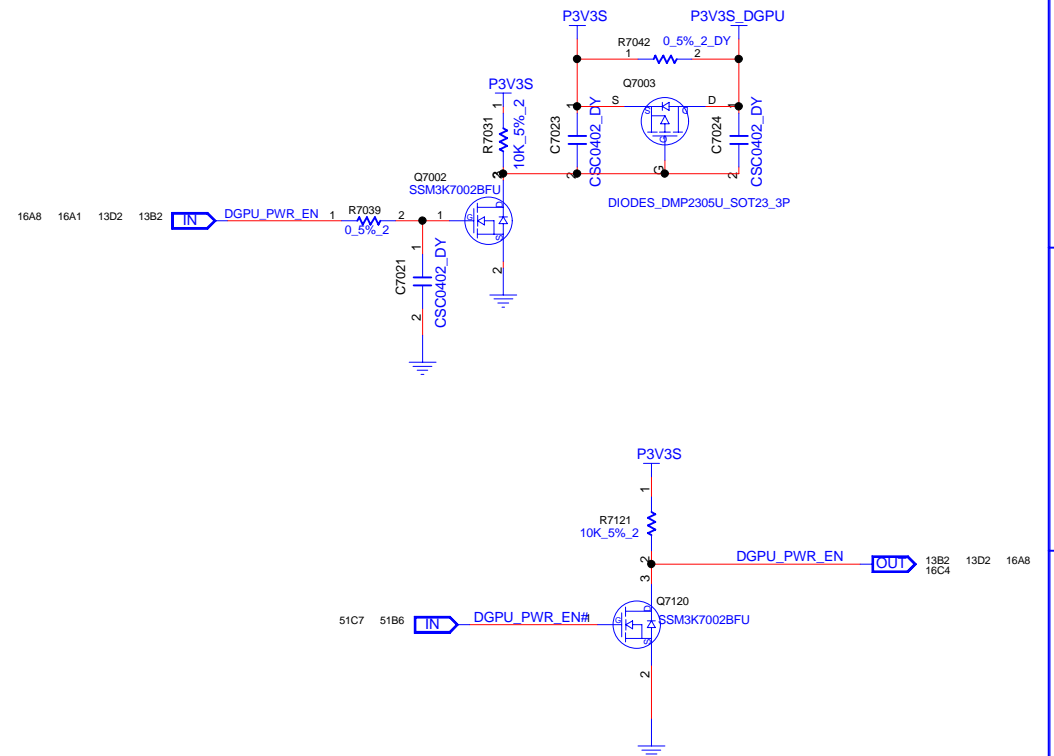


<b>INVENTEC</b>			
TITLE			
MODEL PROJECT FUNCTION			
Block Diagram			
SIZE	CODE	DOC NUMBER	REV
A3	CS	1310xxxx-0-0	X01
CHANGE by XXX			DATE 21-OCT-2002
SHEET 15 of 70			



### POWER EXPRESS

	DURING RESET	AFTER RESET	
DGPU_PWR_EN#	HIGH	HIGH	0 : DGPU POWER SWITCH TURNED ON 1 : POWER SWITCH TURNED OFF
DGPU_PWRGD			0 : DGPU POWER IS NOT STABLE 1 : DGPU POWER IS STABLE
DGPU_HOLD_RST#	LOW	LOW	0 : KEEP DGPU IN RESET 1 : RESET IS RELEASED

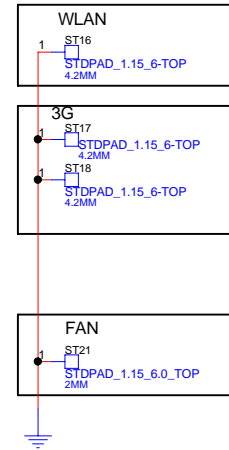
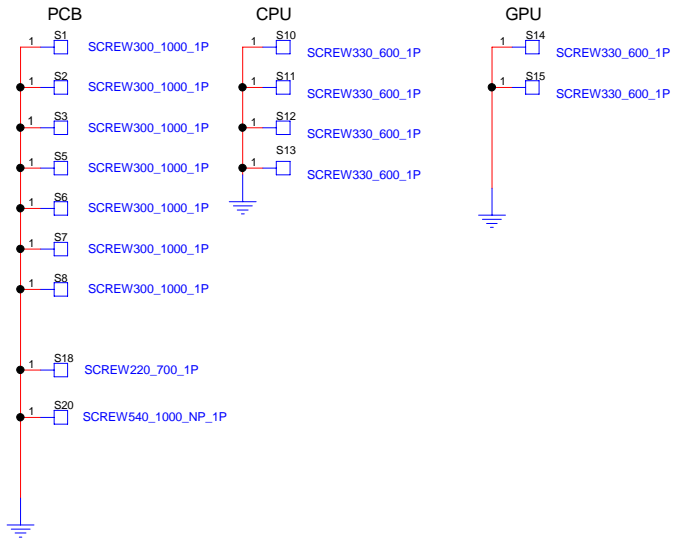
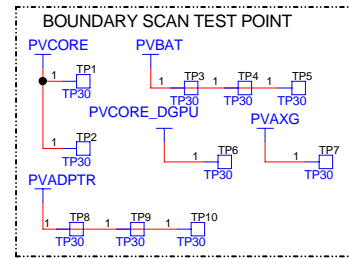
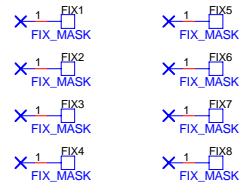


**INVENTEC**

TITLE			
MODEL PROJECT.FUNCTION Block Diagram			
SIZE A3	CODE CS	DOC NUMBER 1310xxxxx-0-0	REV X01

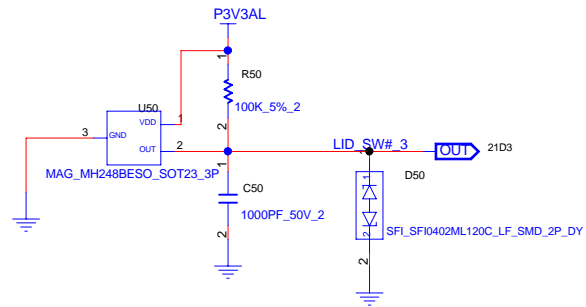


REFERENCE 0~49(PCB SCREW)



<b>INVENTEC</b>			
TITLE			
MODEL PROJECT FUNCTION Block Diagram			
SIZE A3	CODE CS	DOC NUMBER 1310xxxx-0-0	REV X01
CHANGE by XXX		DATE 21-OCT-2002	SHEET 17 of 70

REFERENCE 50-99(HALL SENSOR)



**INVENTEC**

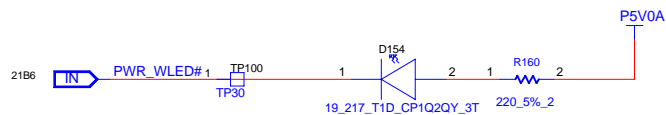
TITLE  
MODEL,PROJECT,FUNCTION  
Block Diagram

SIZE A3	CODE CS	DOC NUMBER 1310xxxx-0-0	REV X01
------------	------------	----------------------------	------------

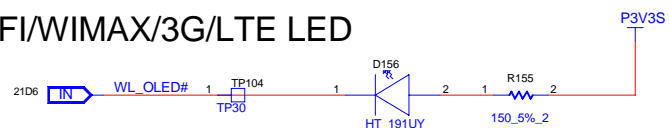
CHANGE by XXX DATE 21-OCT-2002 SHEET 18 of 70

### POWER ON LED

D154 BRIGHT WHEN SYSTEM IS POWER ON  
 D154 BLINK WHEN SYSTEM GO TO SLEEP

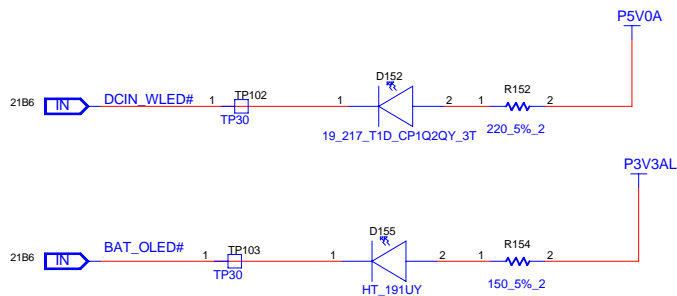


### WIFI/WIMAX/3G/LTE LED



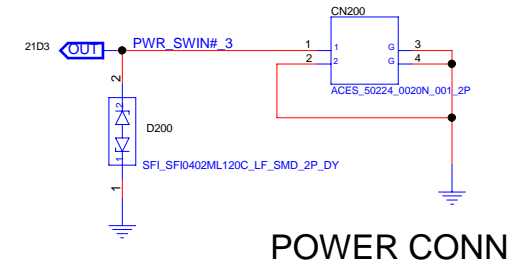
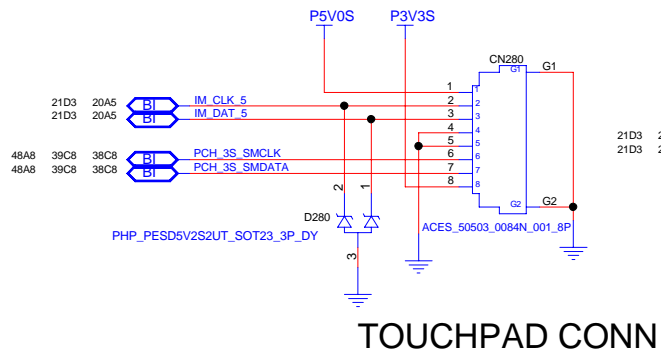
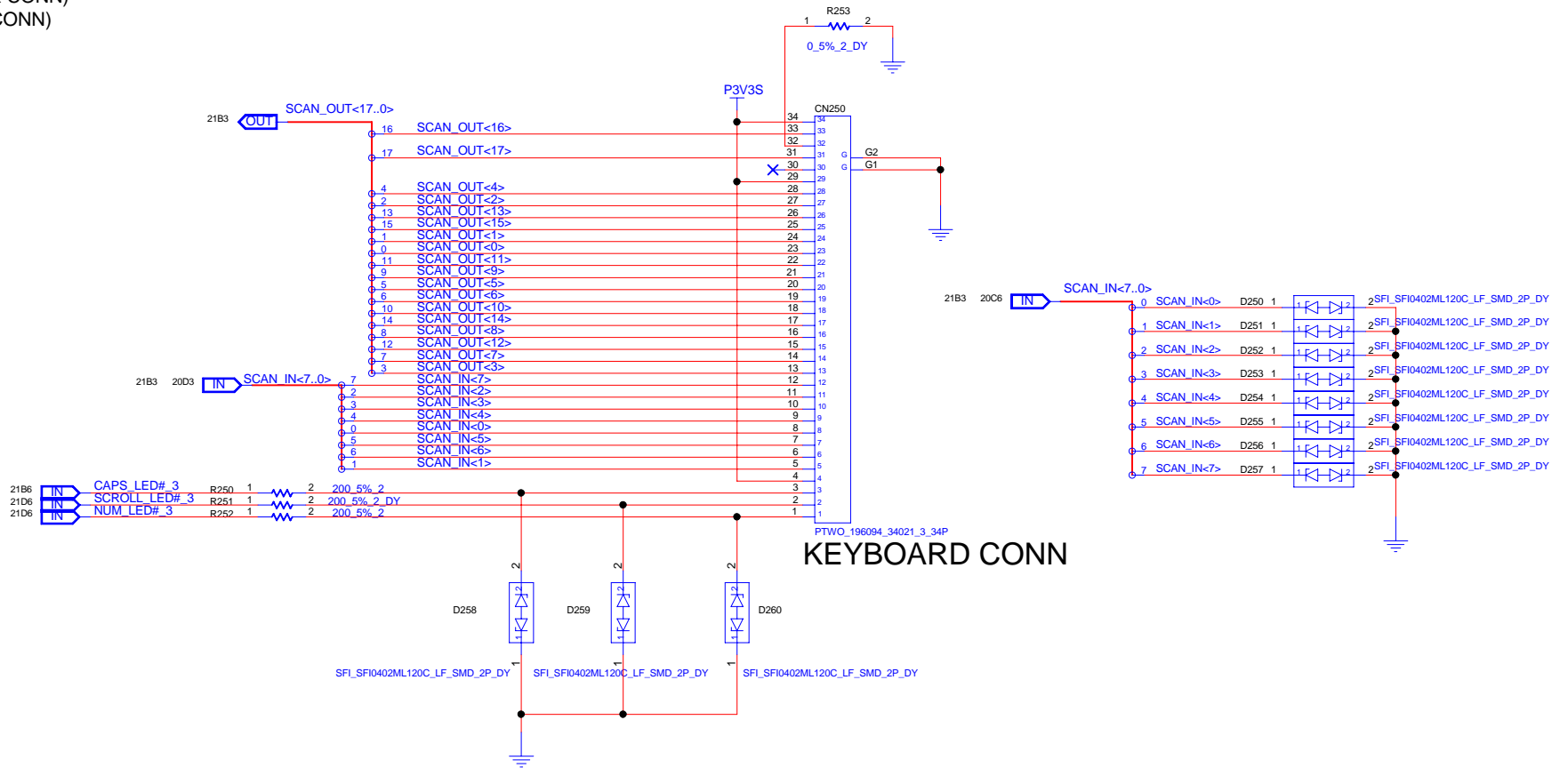
### DC IN / BATTERY CHARGE LED

D152 BRIGHT: BOTH AC-ADAPTER IS PLUGGED IN AND BATTERY IS FULL CHARGED  
 D155 BRIGHT: WHILE CHARGING BATTERY FROM AC-ADAPTER  
 BLINK: LOW BATTERY



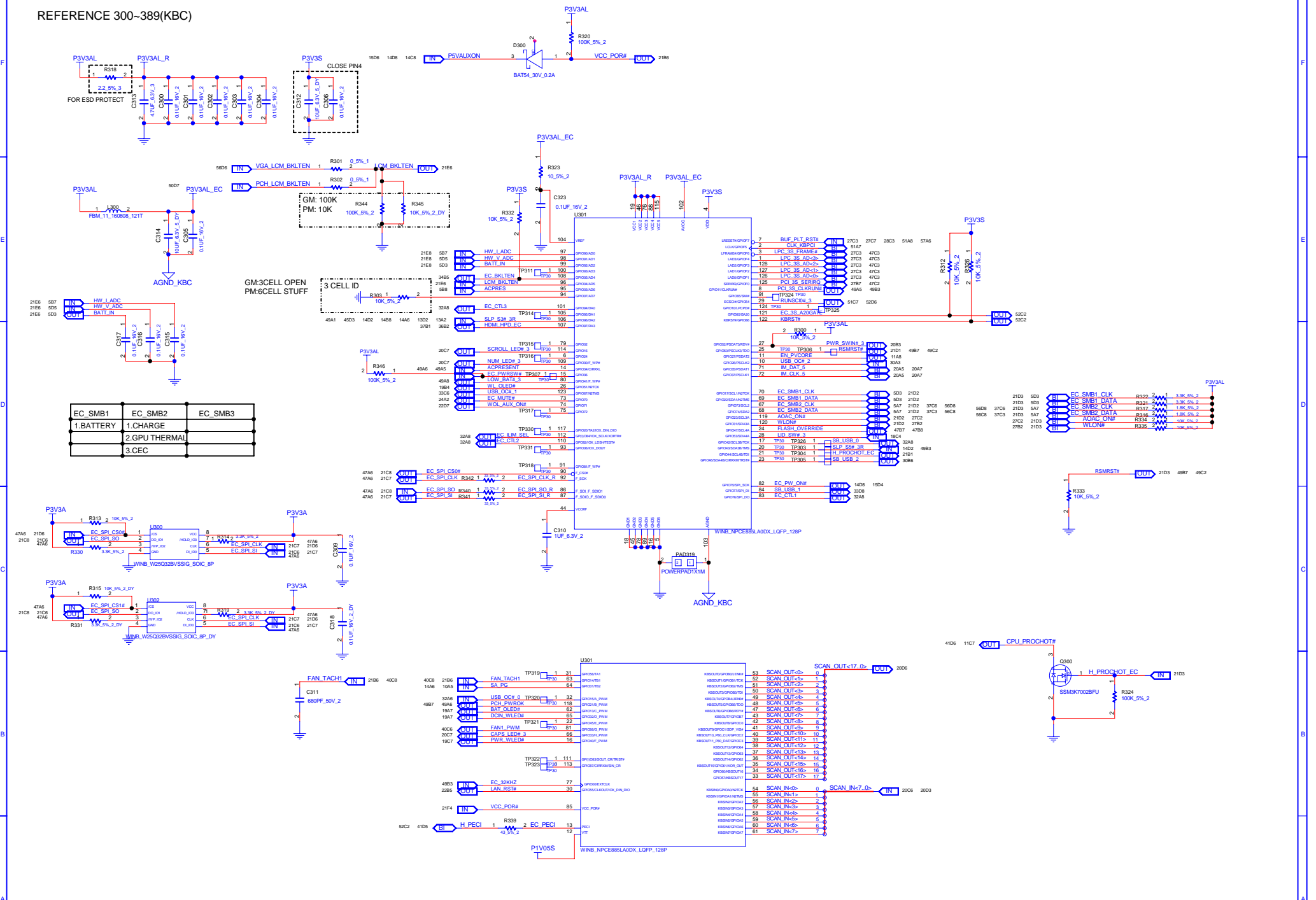
<b>INVENTEC</b>			
TITLE			
MODEL PROJECT.FUNCTION Block Diagram			
SIZE A3	CODE CS	DOC NUMBER 1310xxxx-0-0	REV X01
CHANGE by XXX		DATE 21-OCT-2002	SHEET 19 of 70

REFERENCE 200~249(POWER CONN)  
 REFERENCE 250~299(KB/TP CONN)



<b>INVENTEC</b>			
TITLE			
MODEL PROJECT FUNCTION			
Block Diagram			
SIZE	CODE	DOC NUMBER	REV
A3	CS	1310xxxx-0-0	X01
CHANGE by		DATE	SHEET
XXX		21-OCT-2002	20 of 70

REFERENCE 300-389(KBC)



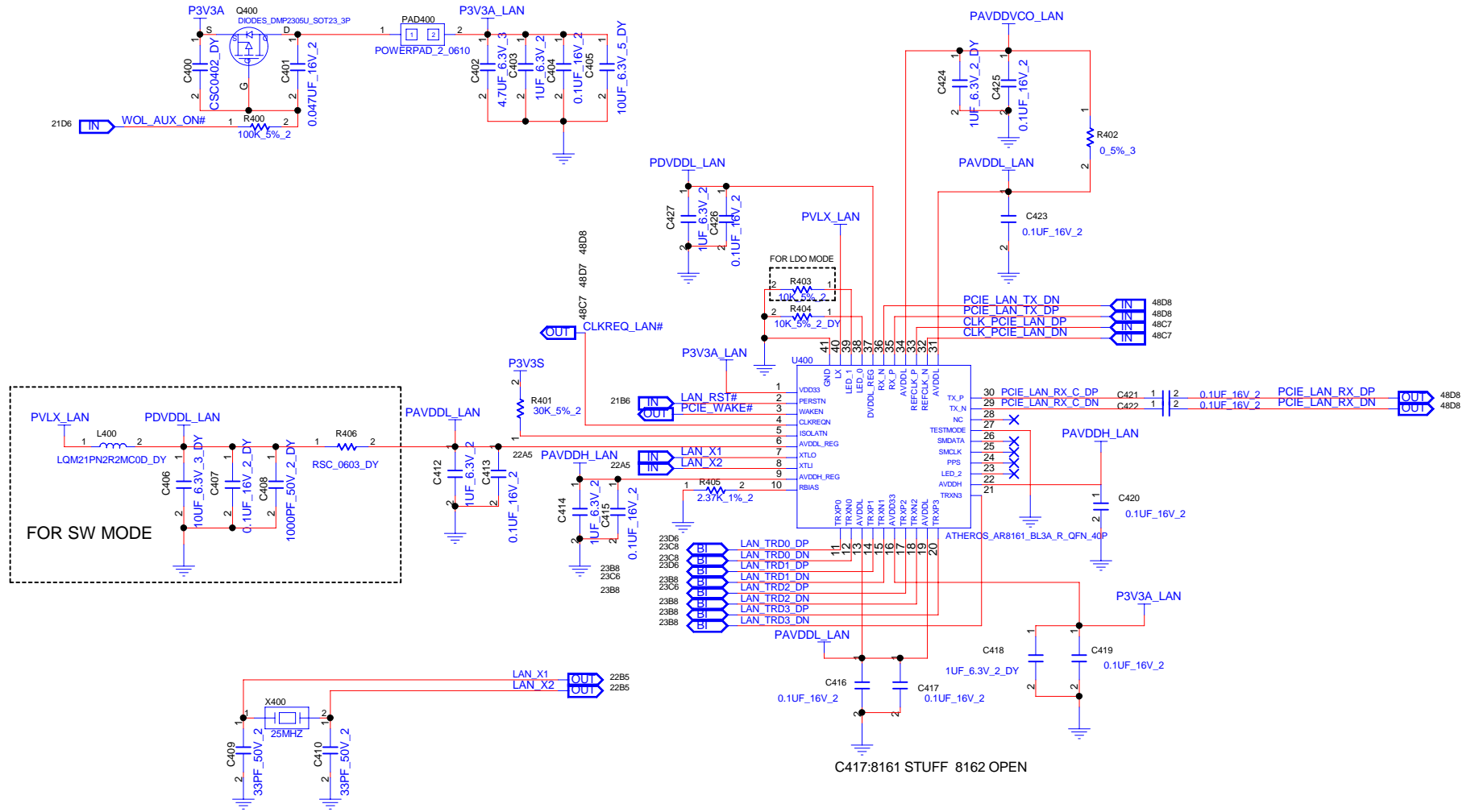
EC_SMB1	EC_SMB2	EC_SMB3
1.BATTERY	1.CHARGE	
	2.GPU THERMAL	
	3.CEC	

**INVENTEC**

MODEL PROJECT FUNCTION  
Block Diagram

SIZE	CODE	DOC NUMBER	REV
C	03	131000000000	201

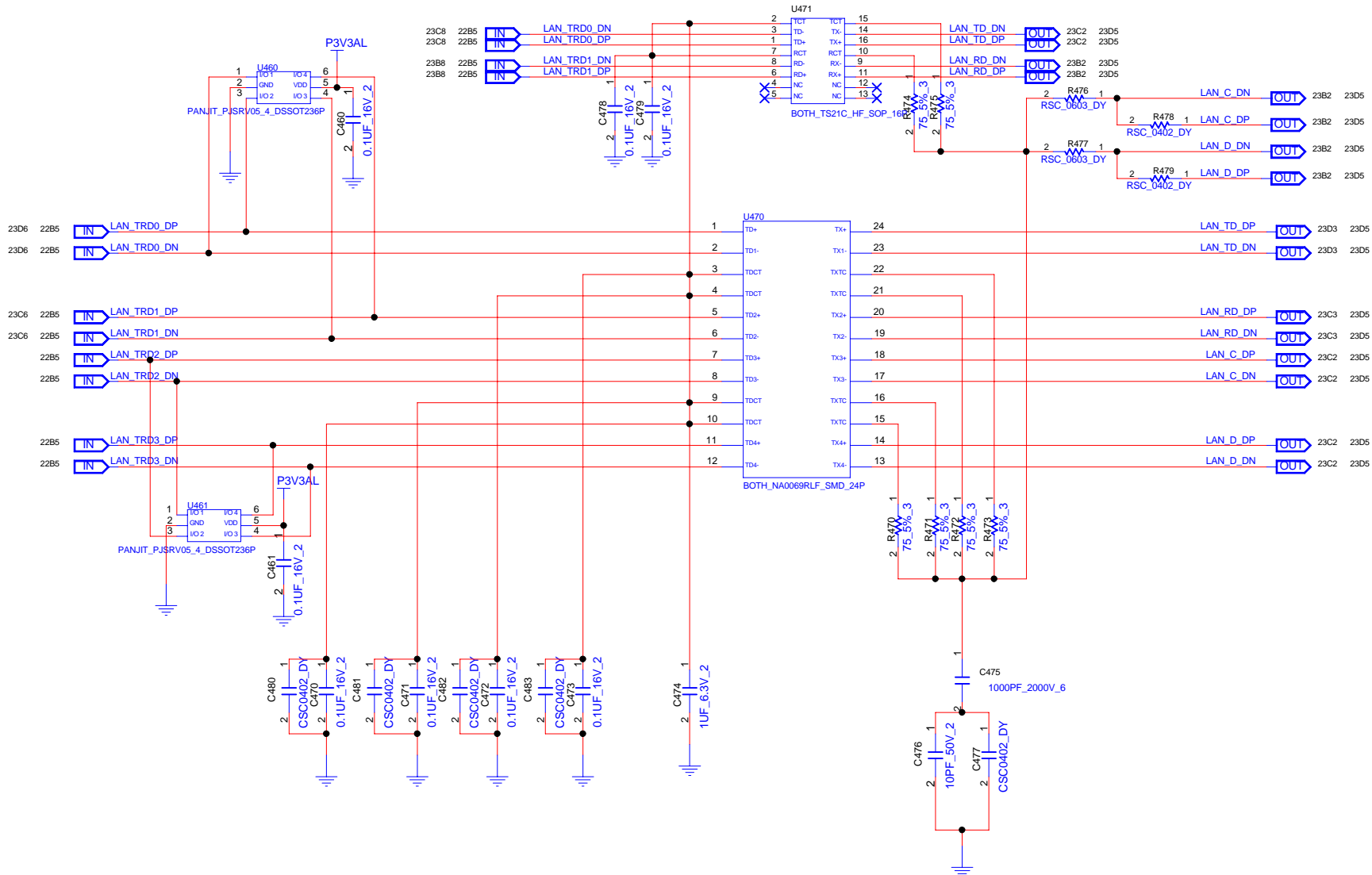
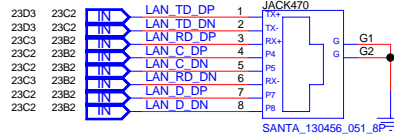
SHEET 31 of 30



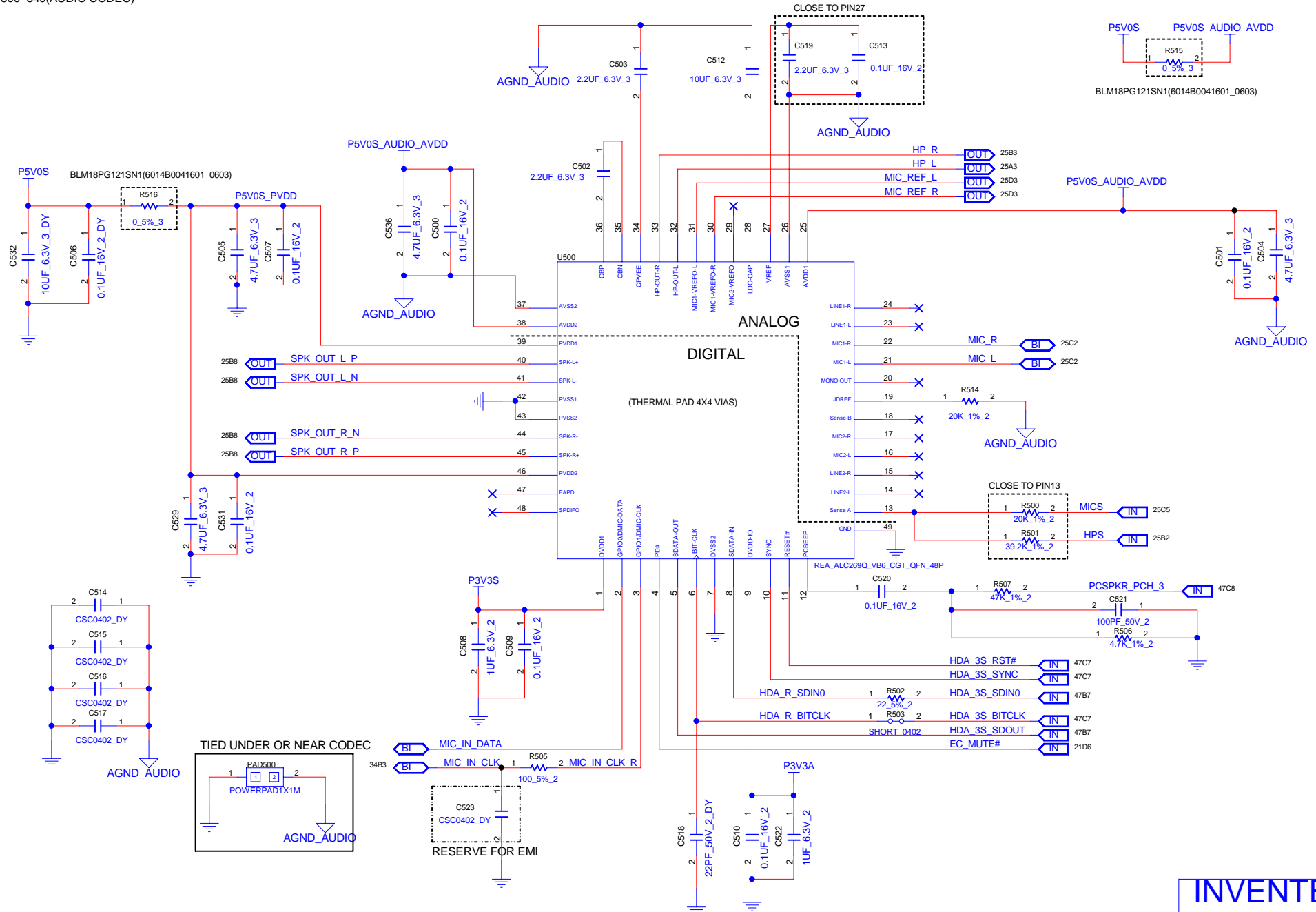
**INVENTEC**

TITLE			
MODEL PROJECT FUNCTION Block Diagram			
SIZE A3	CODE CS	DOC NUMBER 1310xxxx-0-0	REV X01

REFERENCE 400-499(LAN)



<b>INVENTEC</b>			
TITLE			
MODEL PROJECT.FUNCTION			
Block Diagram			
SIZE	CODE	DOC NUMBER	REV
A3	CS	1310xxxx-0-0	X01
CHANGE by		DATE	SHEET
XXX		21-OCT-2002	23 of 70

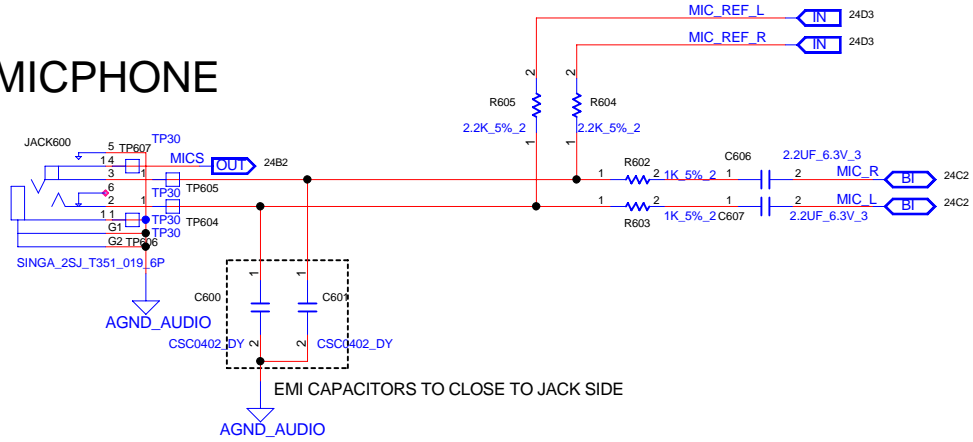


<b>INVENTEC</b>			
TITLE			
MODEL PROJECT FUNCTION			
Block Diagram			
SIZE	CODE	DOC NUMBER	REV
A3	CS	1310xxxx-0-0	X01
CHANGE by XXX		DATE 21-OCT-2002	SHEET 24 of 70

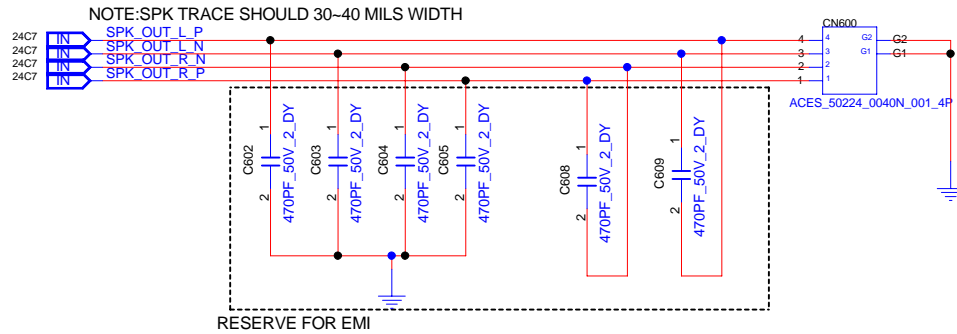


# AUDIO JACKS

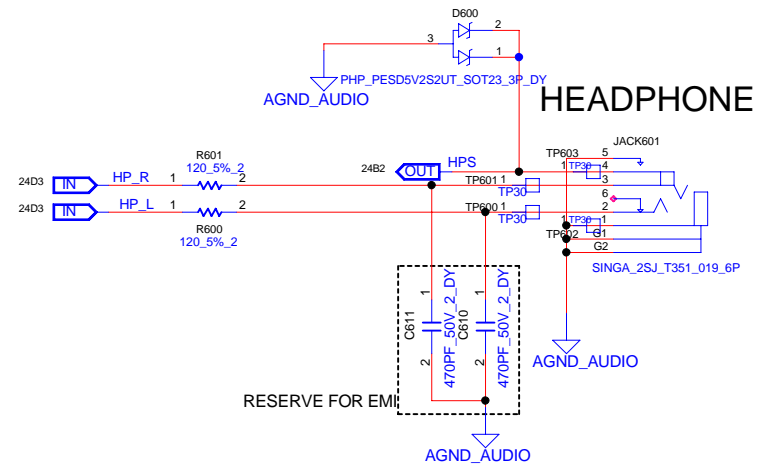
## MICPHONE



## INTERNAL SPEAKERS



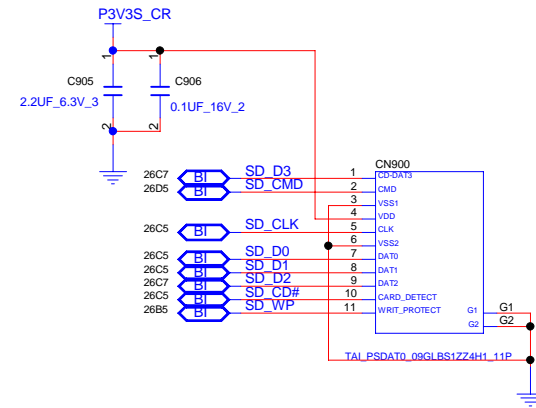
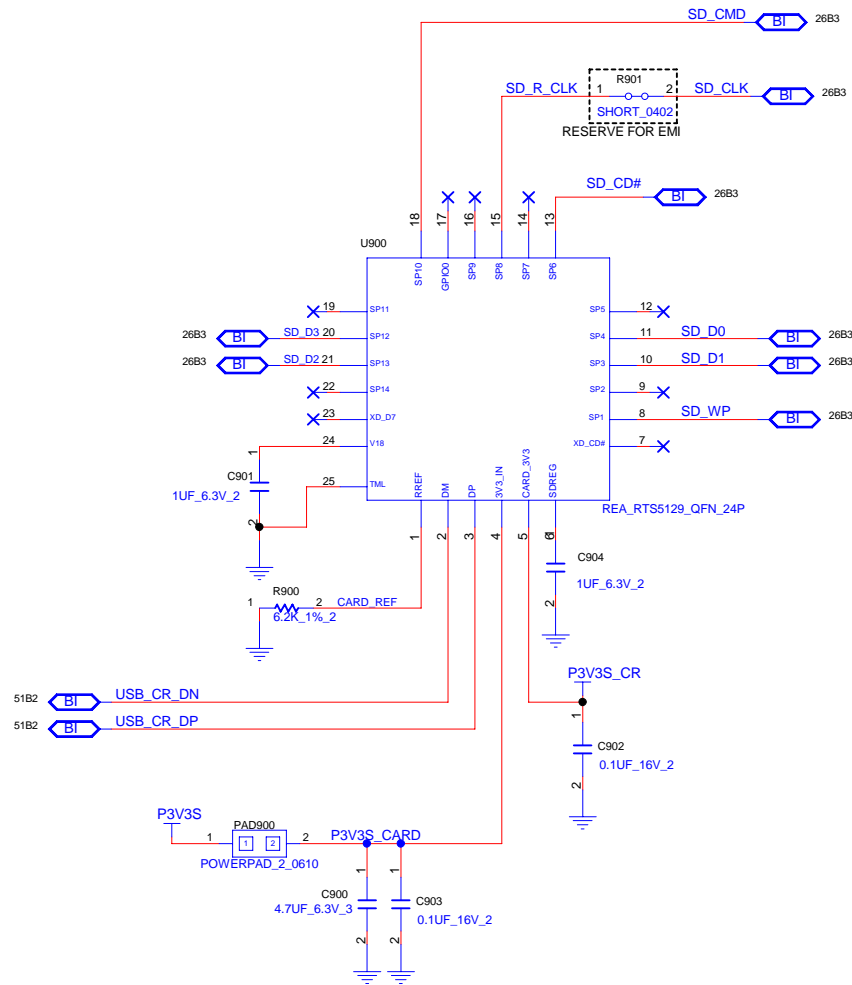
## HEADPHONE



**INVENTEC**

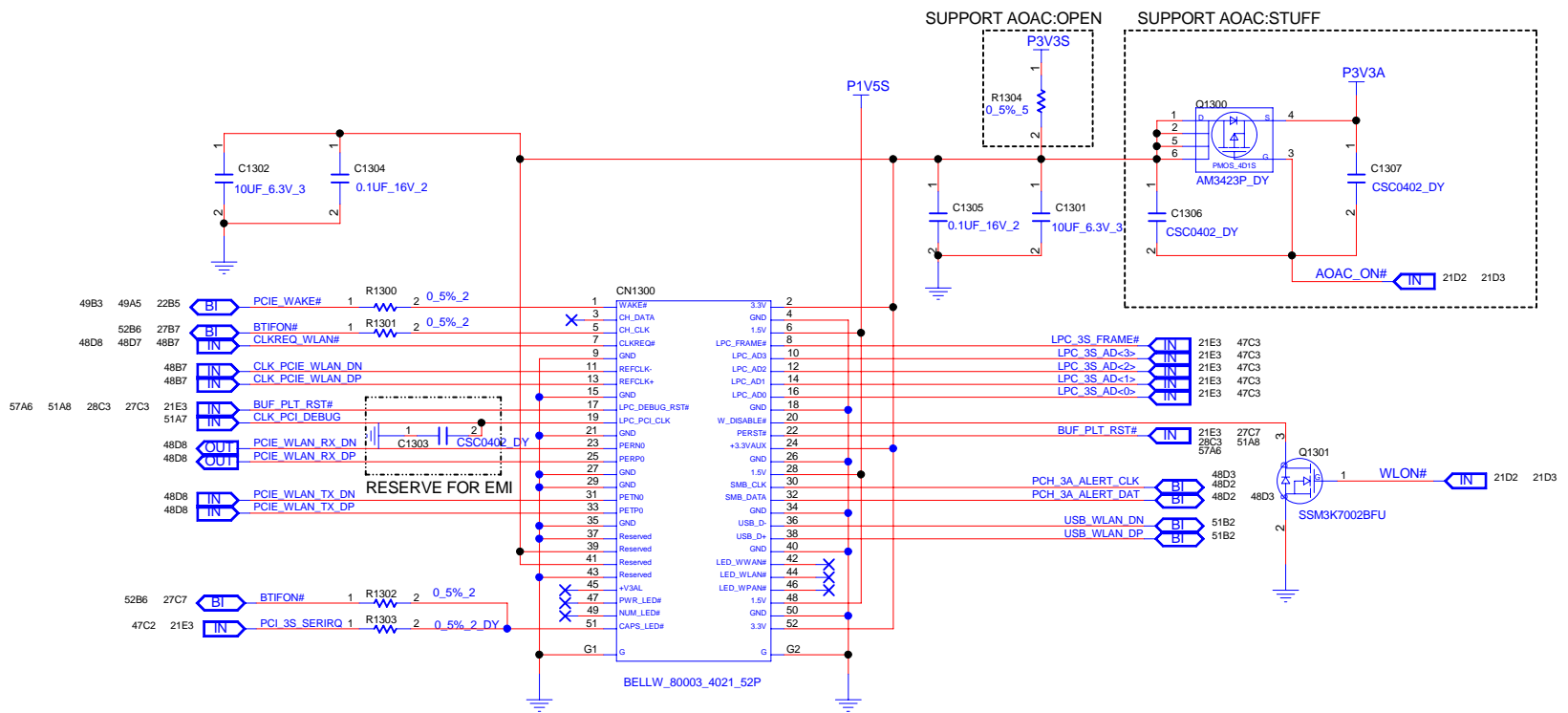
TITLE			
MODEL PROJECT FUNCTION			
Block Diagram			
SIZE	CODE	DOC NUMBER	REV
A3	CS	1310xxxx-0-0	X01

REFERNCE 900~999(CARDREADER)



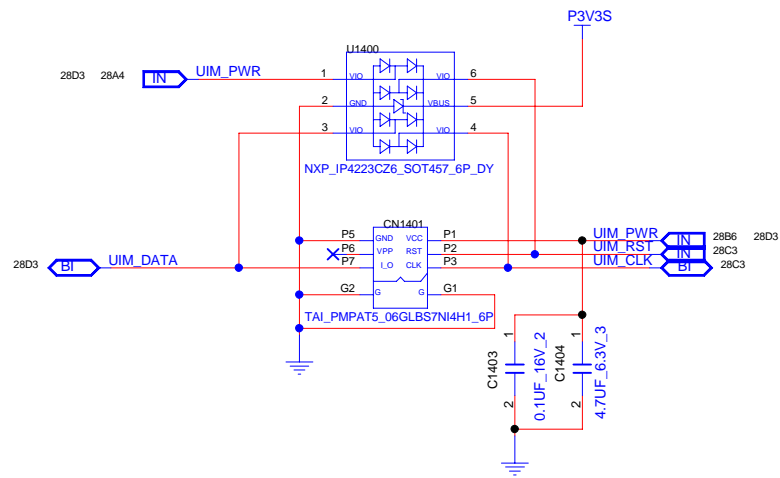
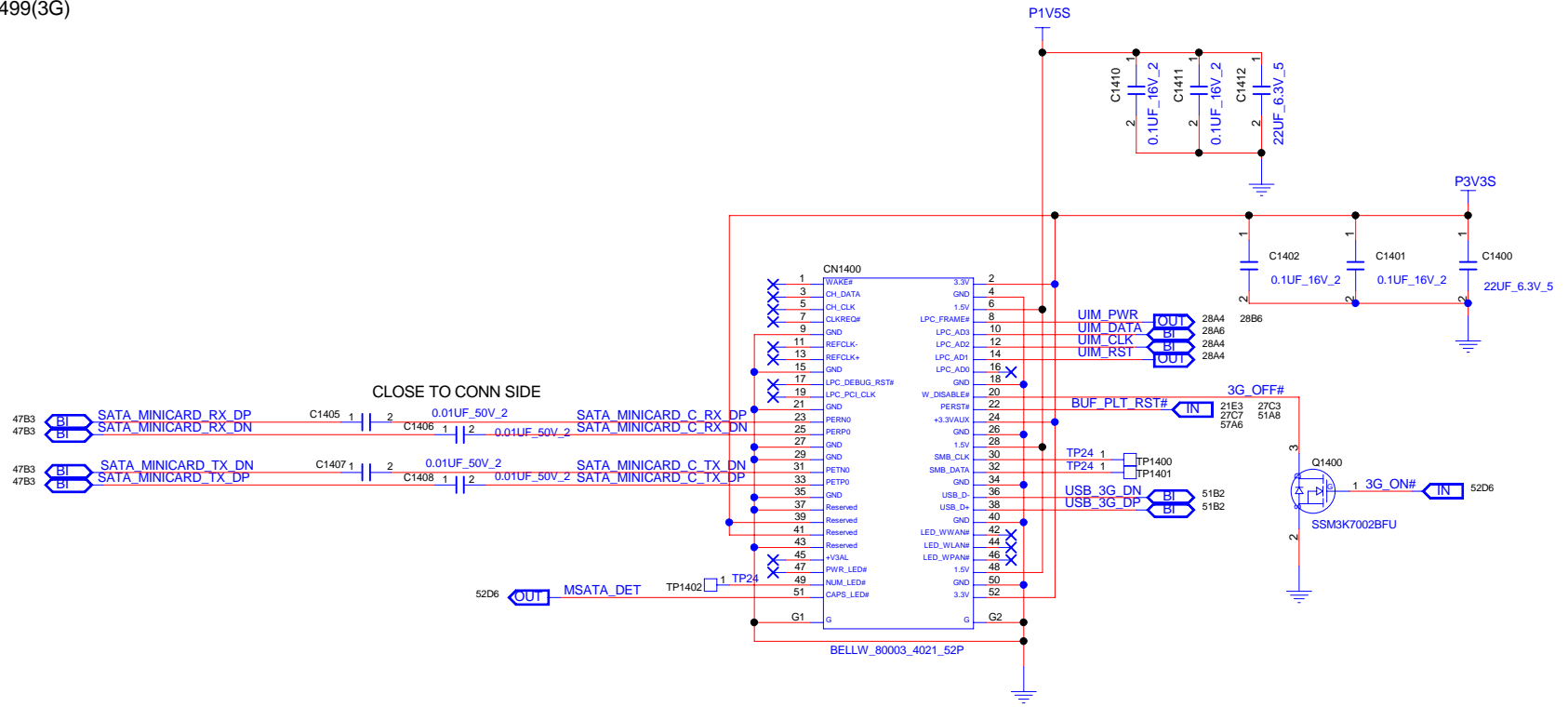
**INVENTEC**

TITLE			
MODEL PROJECT.FUNCTION			
Block Diagram			
SIZE	CODE	DOC NUMBER	REV
A3	CS	1310xxxx-0-0	X01



# MINI CARD 1(WLAN)

<b>INVENTEC</b>			
TITLE			
MODEL PROJECT FUNCTION			
Block Diagram			
SIZE	CODE	DOC NUMBER	REV
A3	CS	1310xxxx-0-0	X01
CHANGE by		DATE	SHEET
XXX		21-OCT-2002	27 of 70

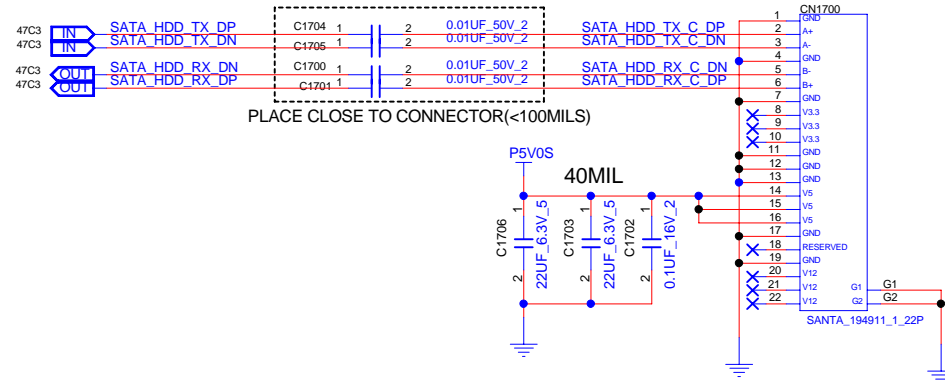


**INVENTEC**

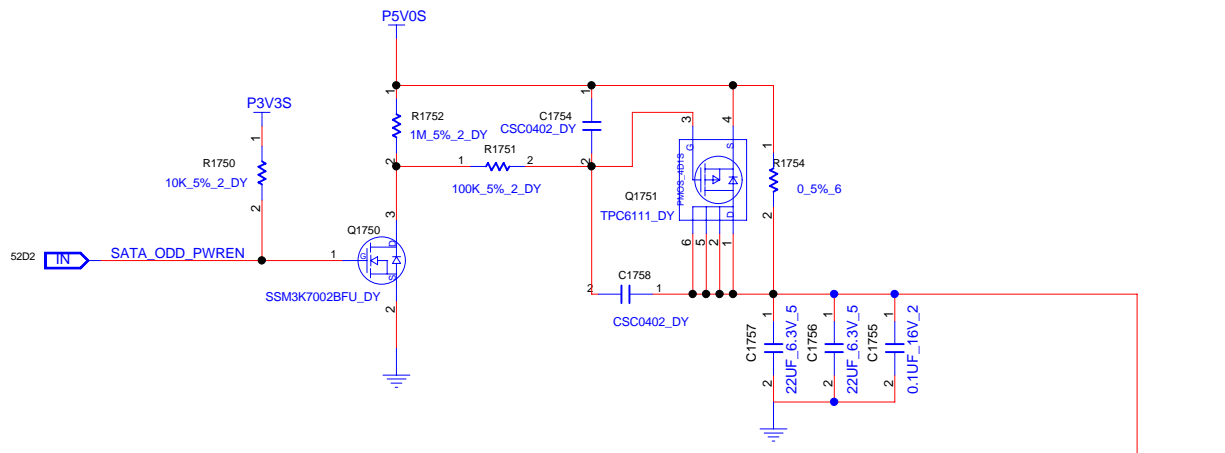
TITLE			
MODEL,PROJECT,FUNCTION			
Block Diagram			
SIZE A3	CODE CS	DOC NUMBER 1310xxxx-0-0	REV X01

REFERENCE 1700~1749(HDD)  
 REFERENCE 1750~1799(ODD)

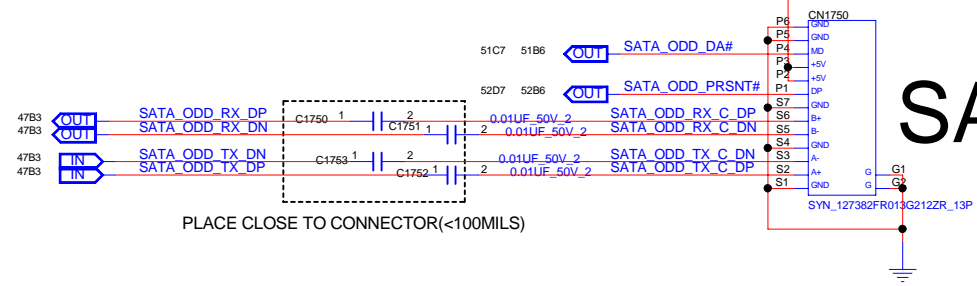
# SATA HDD



PLACE CLOSE TO CONNECTOR(<100MILS)



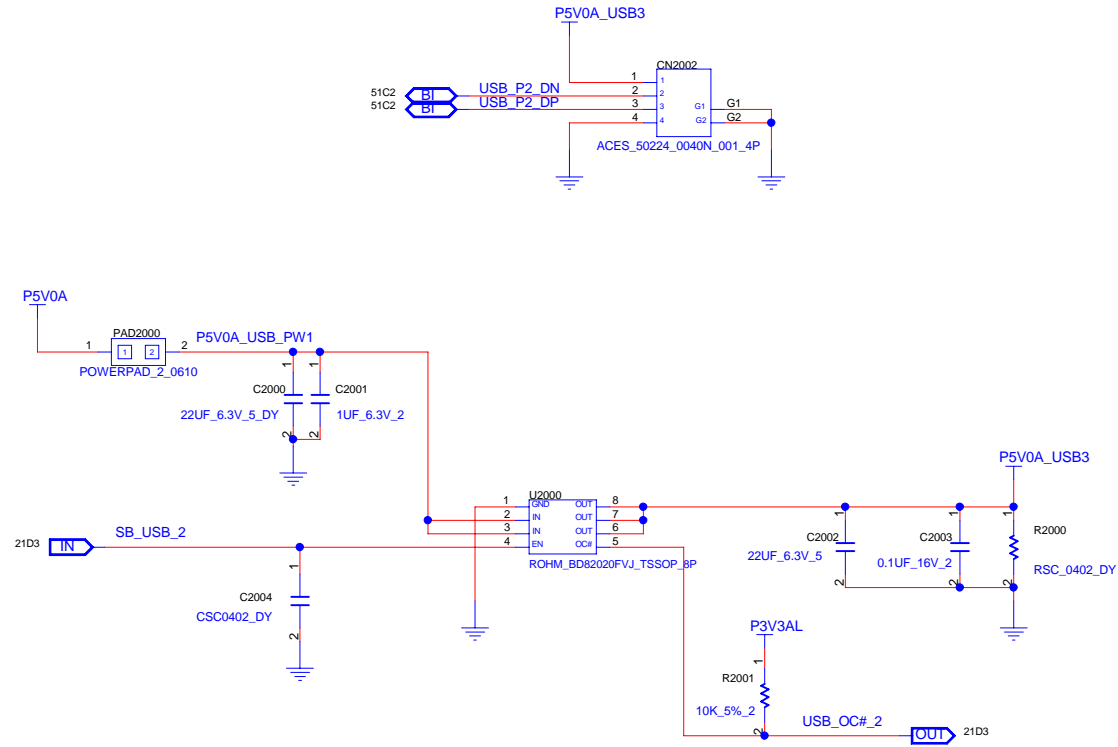
# SATA ODD



PLACE CLOSE TO CONNECTOR(<100MILS)

<b>INVENTEC</b>			
TITLE			
MODEL PROJECT FUNCTION Block Diagram			
SIZE A3	CODE CS	DOC NUMBER 1310xxxx-0-0	REV X01
CHANGE by XXX		DATE 21-OCT-2002	SHEET 29 of 70

REFERENCE 2000~2099(USB)



**INVENTEC**

TITLE			
MODEL PROJECT.FUNCTION			
Block Diagram			
SIZE	CODE	DOC NUMBER	REV
A3	CS	1310xxxx-0-0	X01

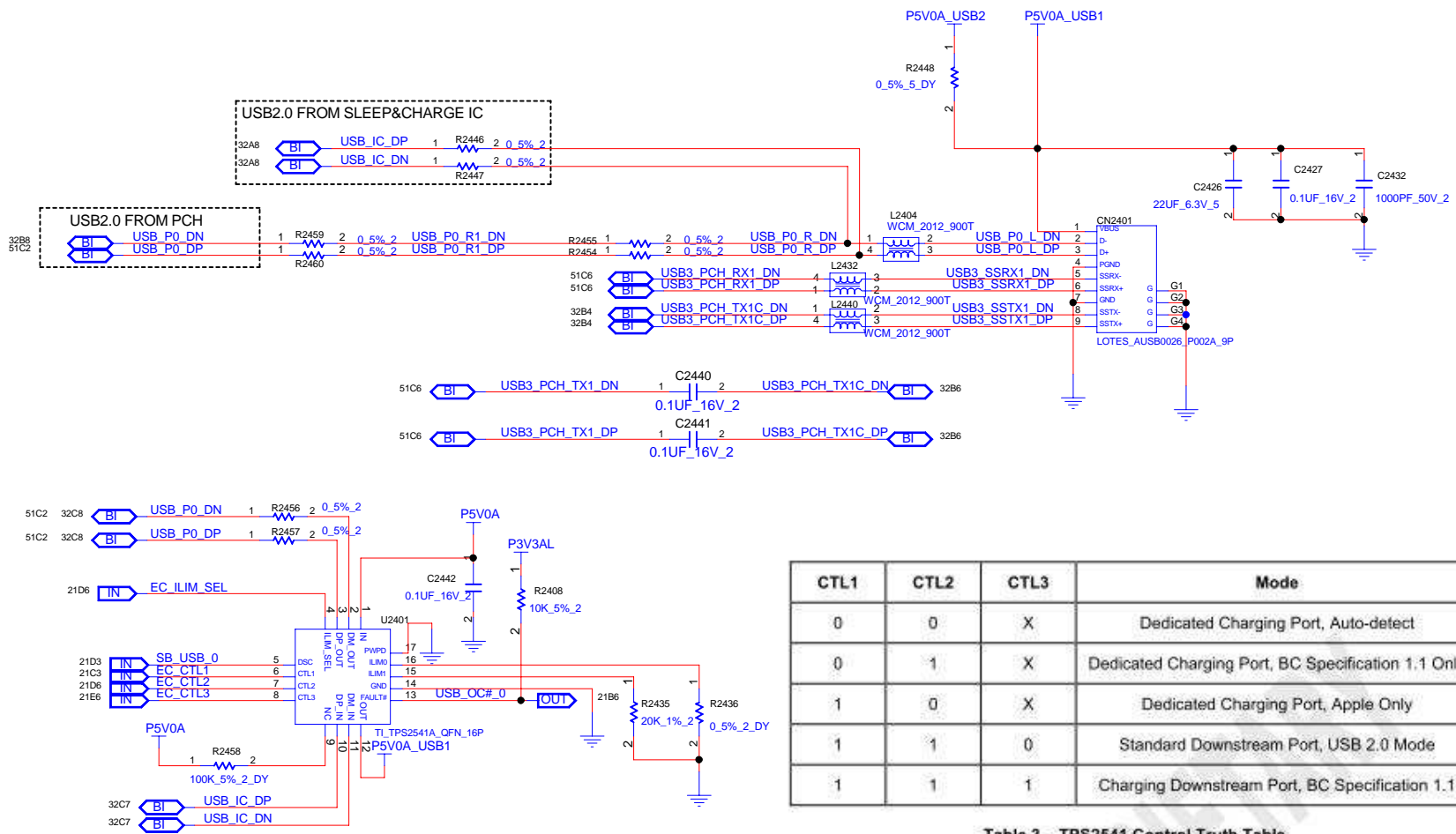
REFERENCE 2400~2499

REMOVE USB3.0 CONTROLLER IC

D  
C  
B  
A

D  
C  
B  
A

<b>INVENTEC</b>			
TITLE			
MODEL, PROJECT, FUNCTION Block Diagram			
SIZE A3	CODE CS	DOC. NUMBER 1310xxxxx-0-0	REV X01



CTL1	CTL2	CTL3	Mode
0	0	X	Dedicated Charging Port, Auto-detect
0	1	X	Dedicated Charging Port, BC Specification 1.1 Only
1	0	X	Dedicated Charging Port, Apple Only
1	1	0	Standard Downstream Port, USB 2.0 Mode
1	1	1	Charging Downstream Port, BC Specification 1.1

Table 3 – TPS2541 Control Truth Table

**INVENTEC**

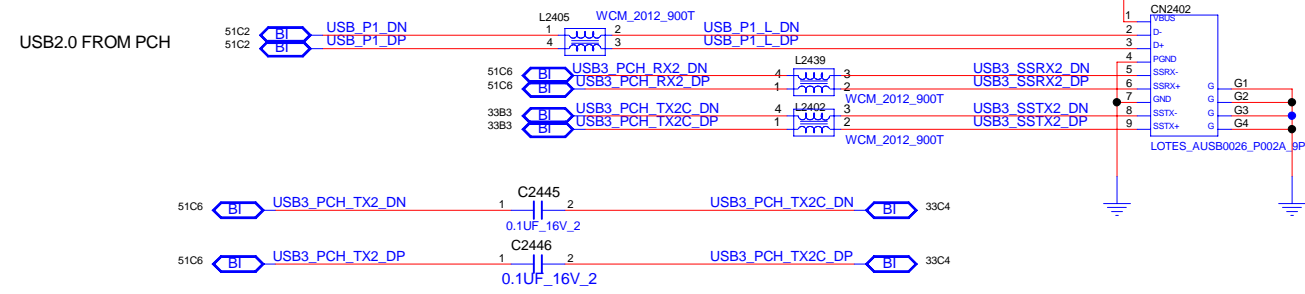
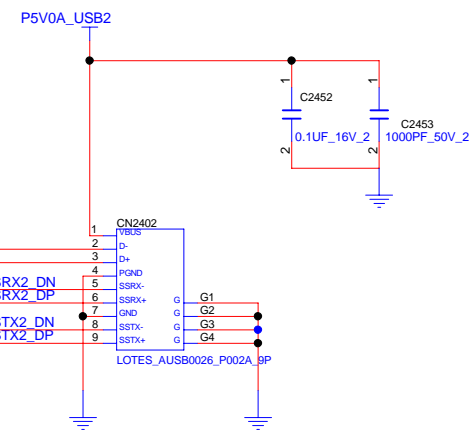
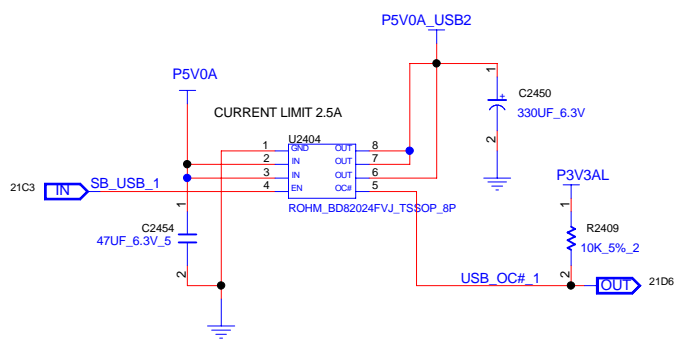
TITLE: MODEL,PROJECT,FUNCTION  
Block Diagram

SIZE A3	CODE CS	DOC NUMBER 1310xxxxx-0-0	REV X01
---------	---------	--------------------------	---------

CHANGE by XXX DATE 21-OCT-2002 SHEET 32 of 70

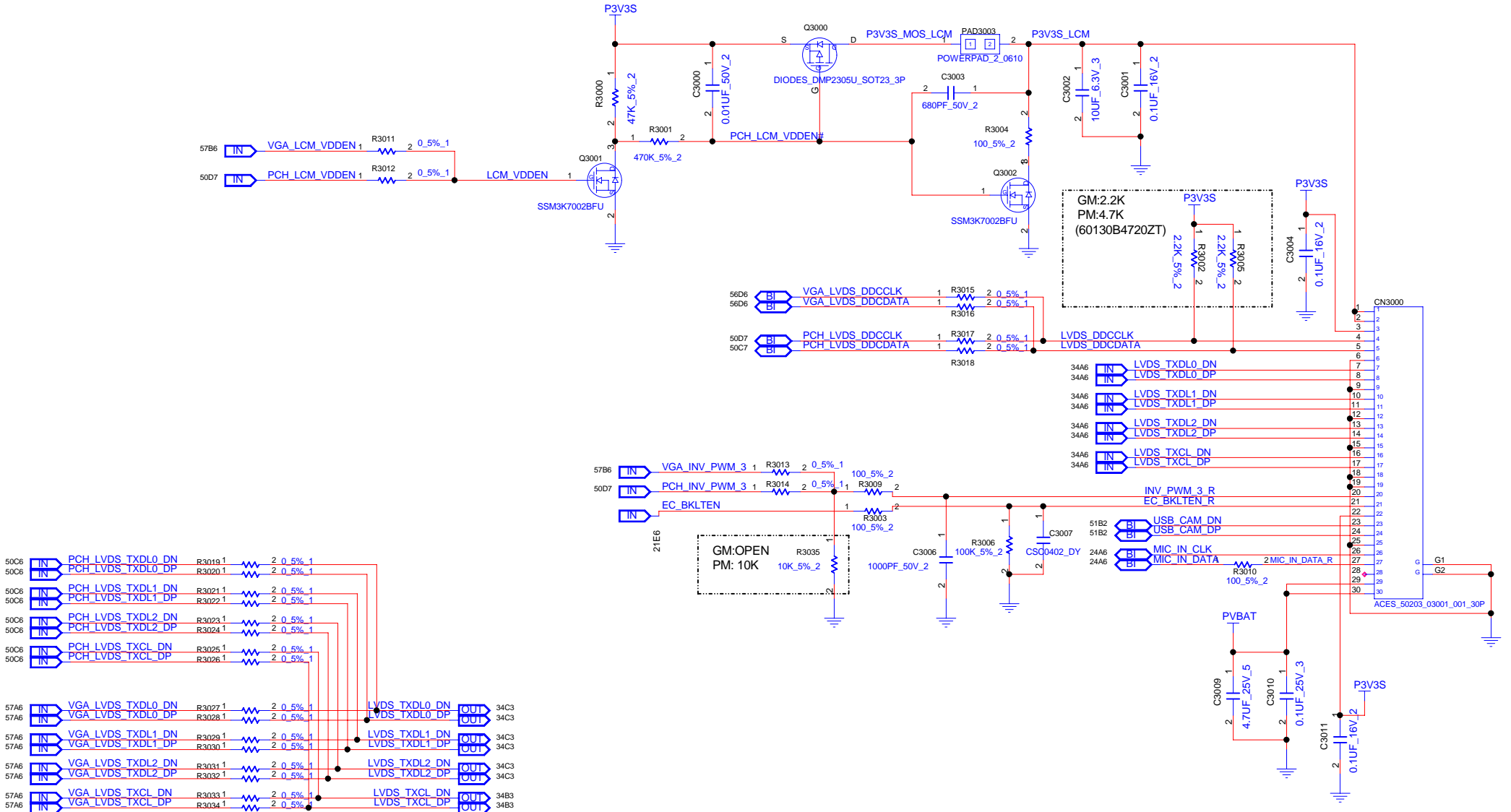


# USB 3.0 CONNECTOR



<b>INVENTEC</b>			
TITLE			
MODEL PROJECT FUNCTION Block Diagram			
SIZE A3	CODE CS	DOC NUMBER 1310xxxx-0-0	REV X01

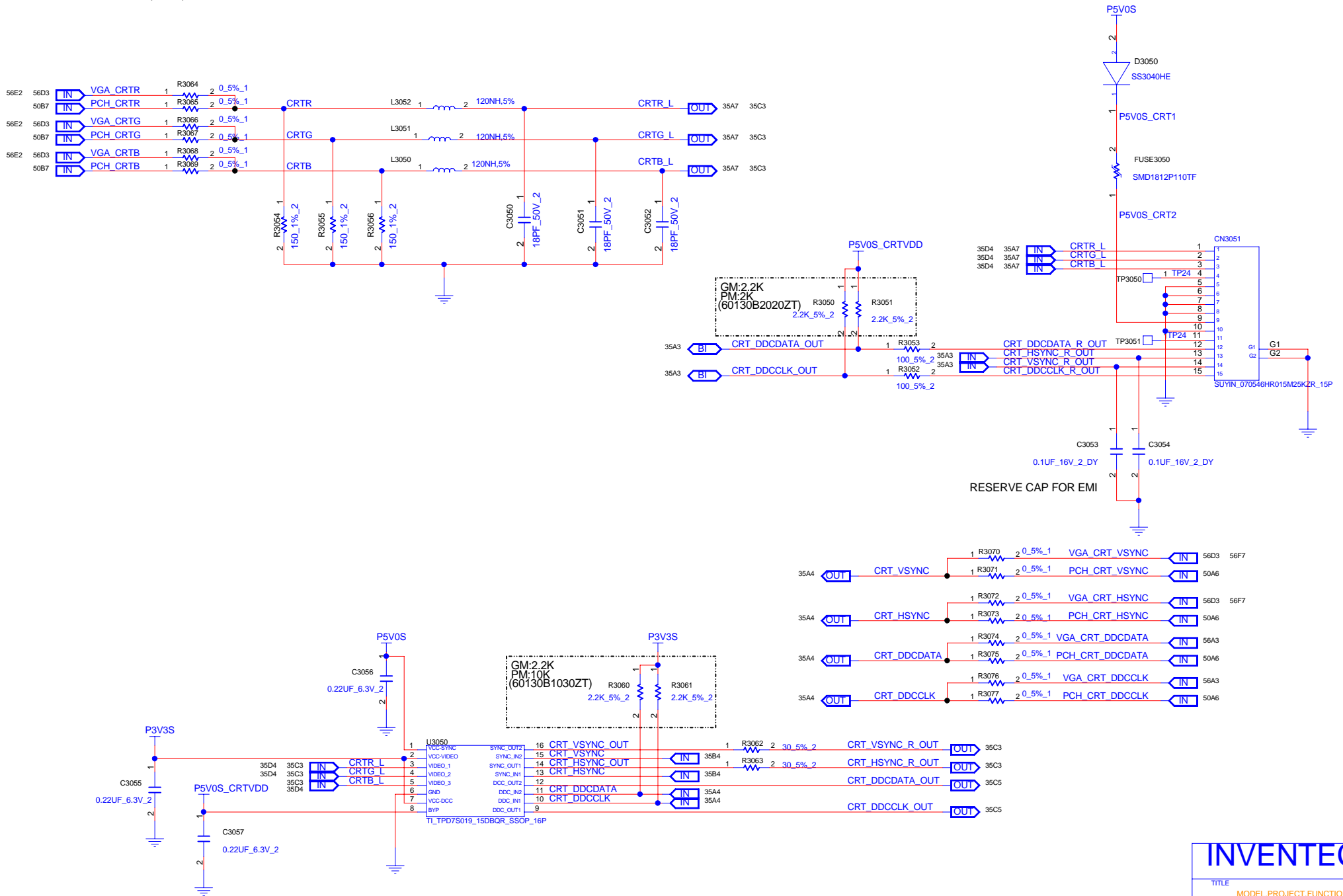
REFERENCE 3000~3049(LCM)



**INVENTEC**

TITLE			
MODEL PROJECT.FUNCTION			
Block Diagram			
SIZE	CODE	DOC NUMBER	REV
A3	CS	1310xxxx-0-0	X01

REFERENCE 3050~3099(CRT)

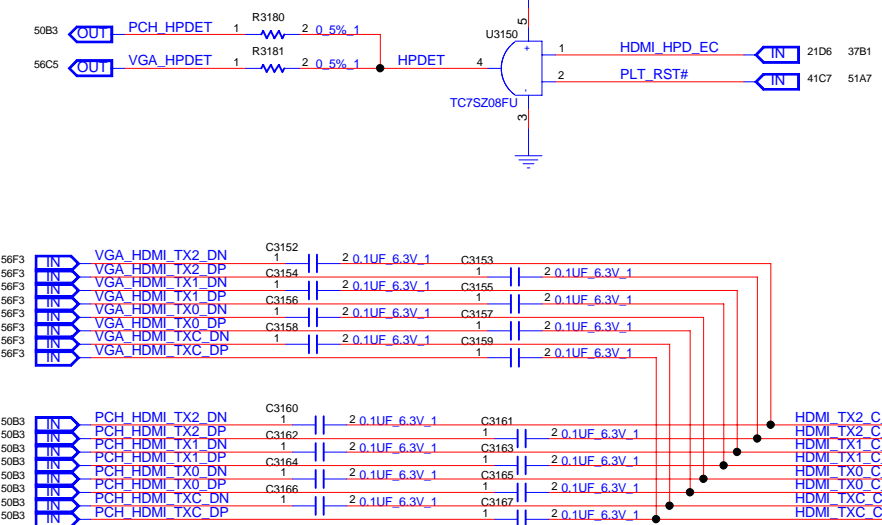
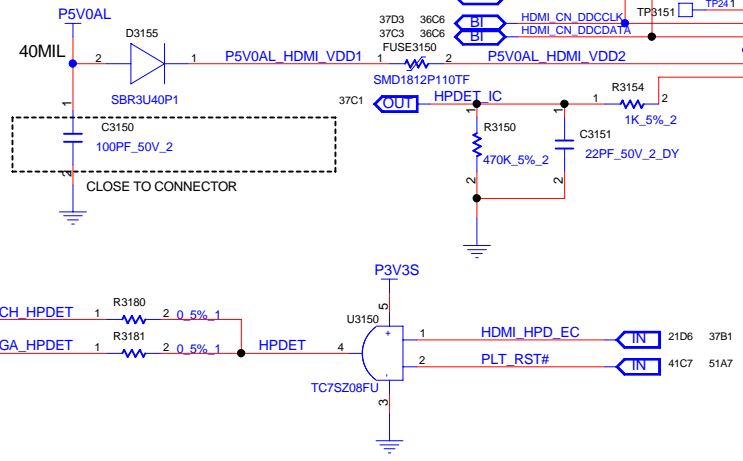
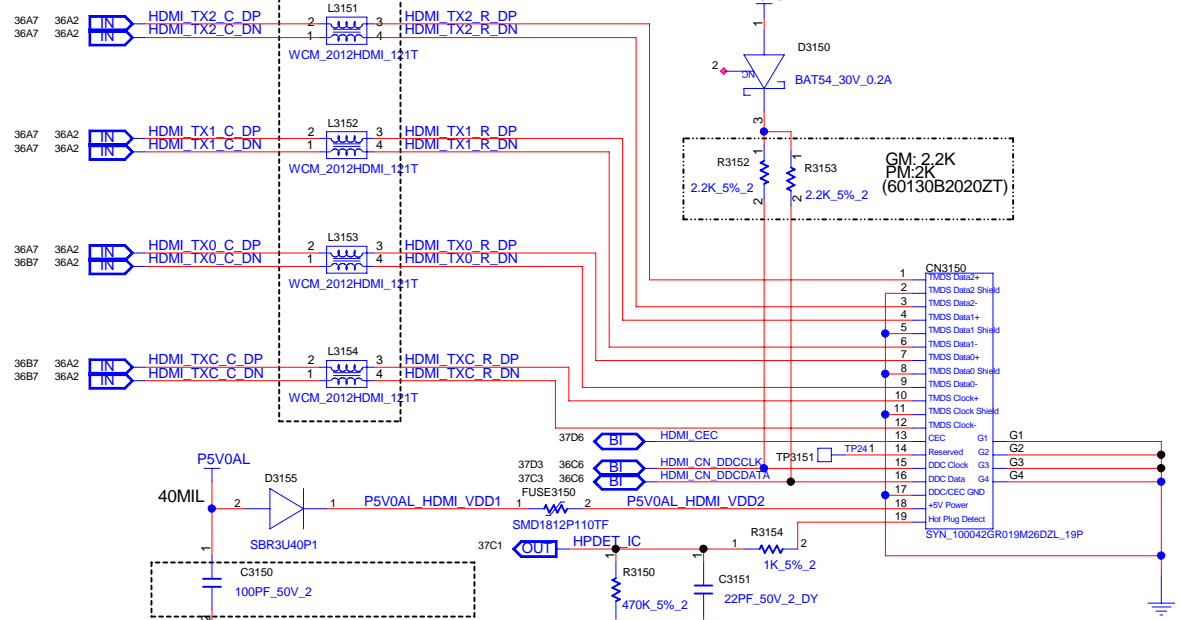
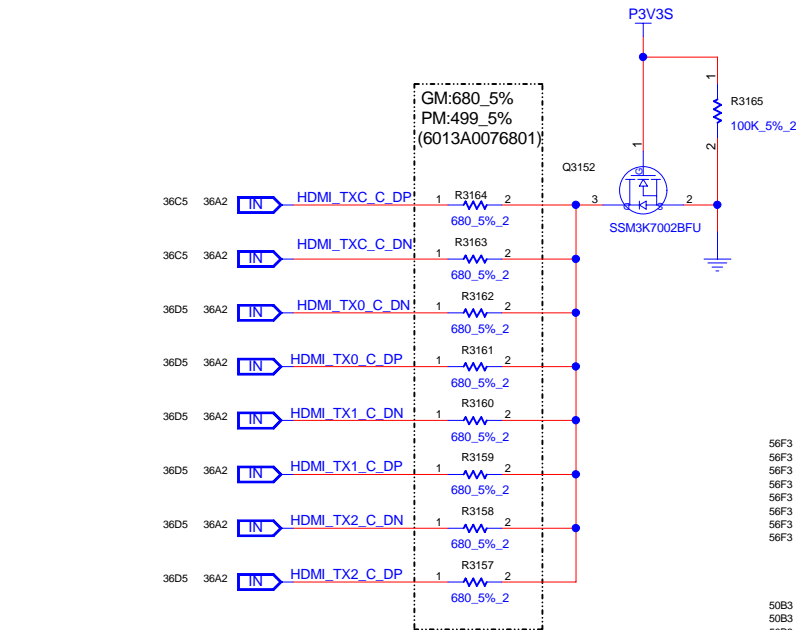
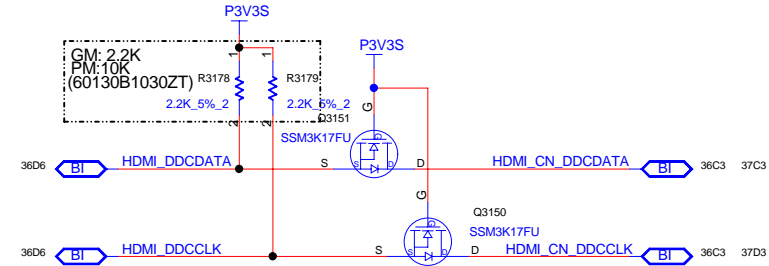
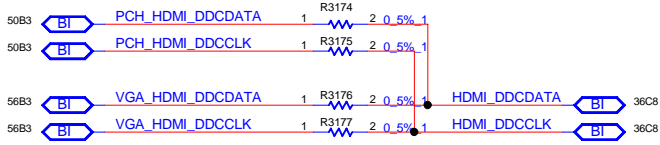


**INVENTEC**

TITLE			
MODEL PROJECT.FUNCTION			
Block Diagram			
SIZE	CODE	DOC NUMBER	REV
A3	CS	1310xxxx-0-0	X01

REFERENCE 3150~3199(HDMI)

PLACE CLOSE TO CONNECTOR

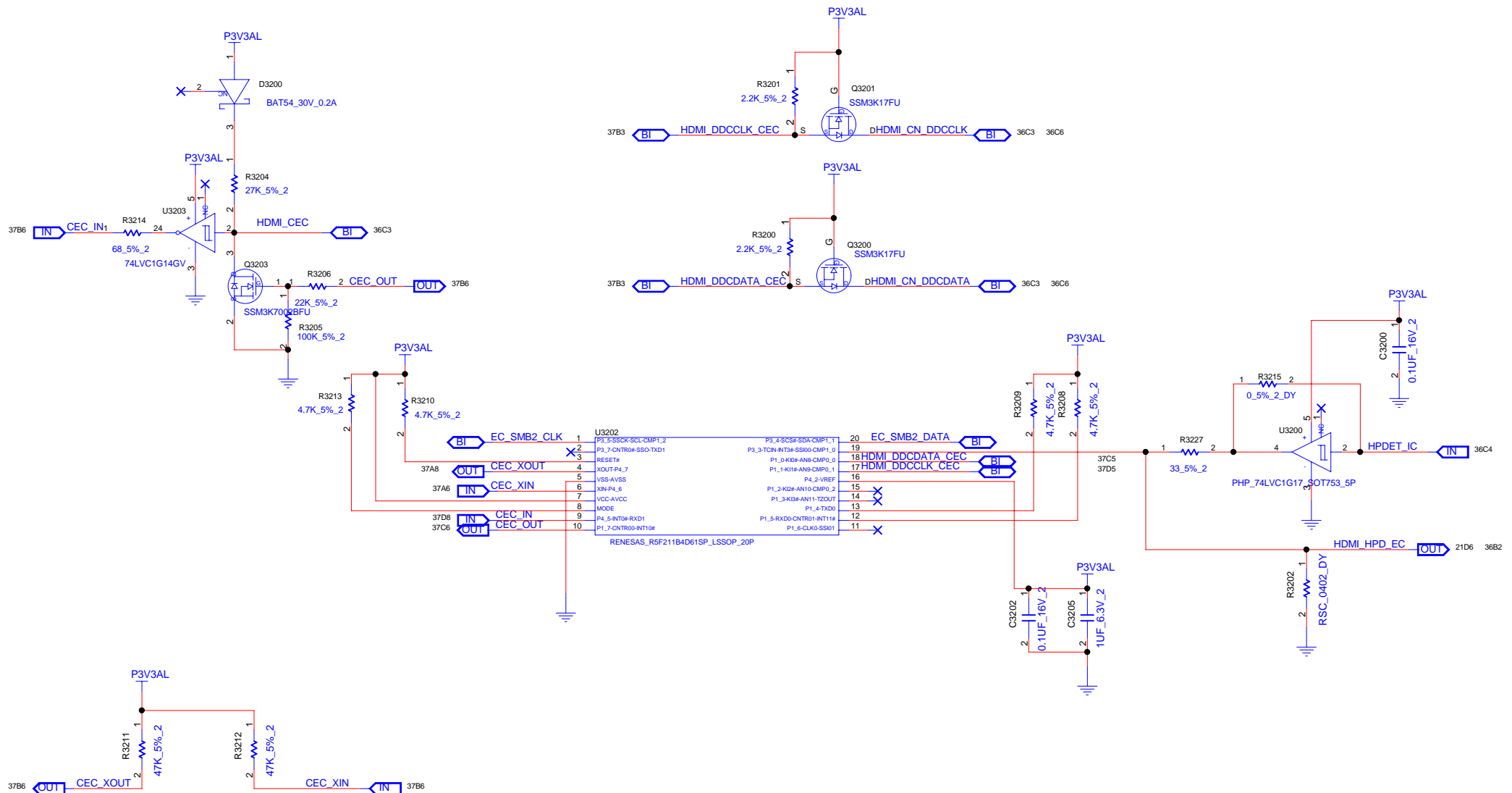


**INVENTEC**

MODEL/PROJECT/FUNCTION  
Block Diagram

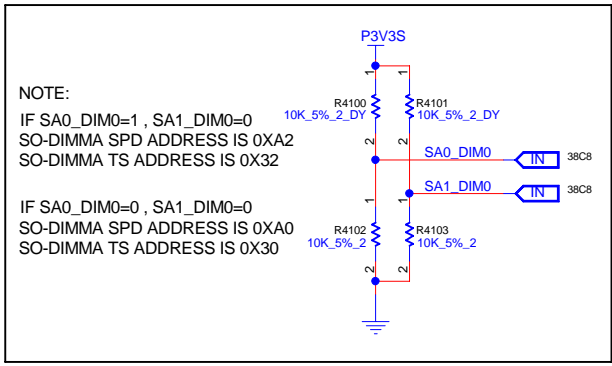
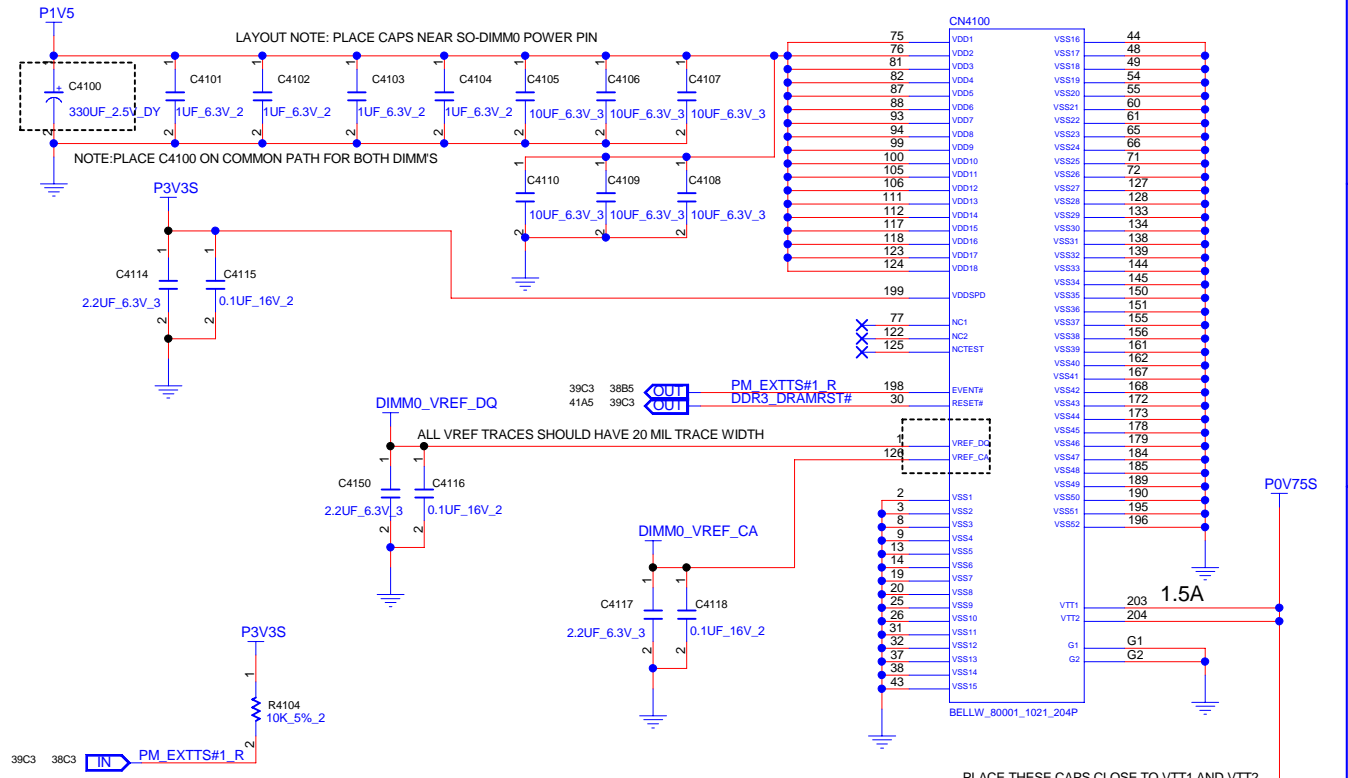
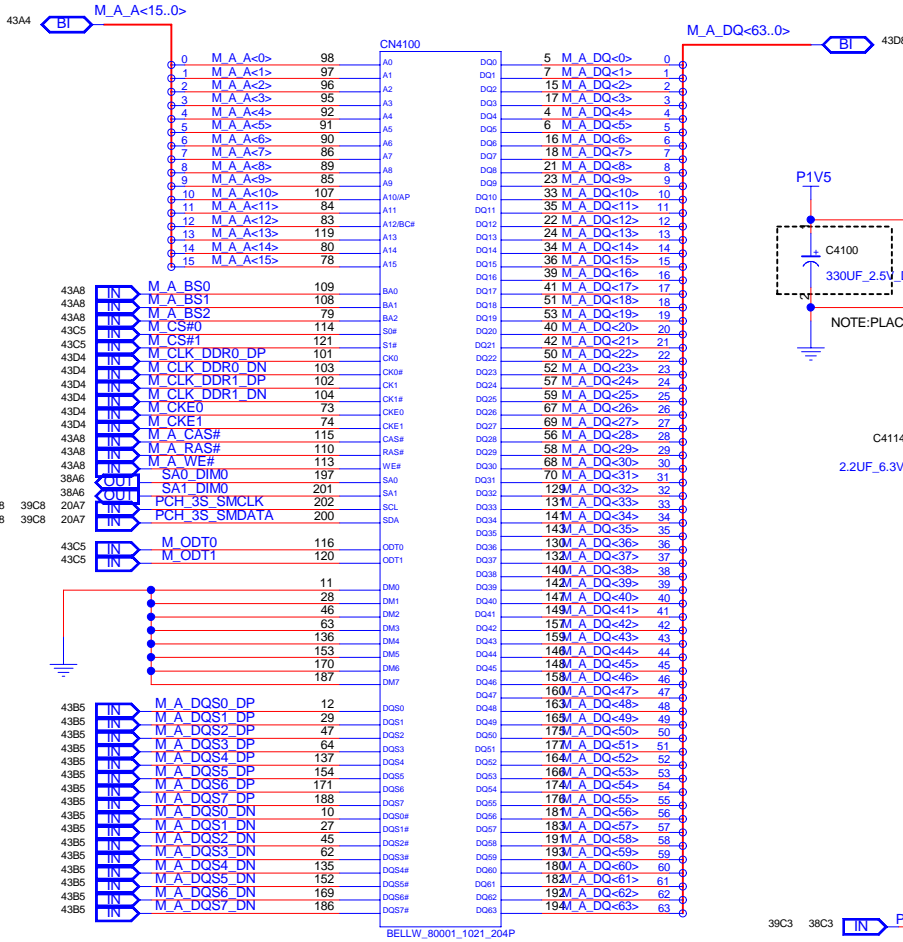
DOC NUMBER  
1310xxxx-0-0

REV  
X01



<b>INVENTEC</b>			
TITLE			
MODEL PROJECT FUNCTION Block Diagram			
SIZE A3	CODE CS	DOC NUMBER 1310xxxxx-0-0	REV X01

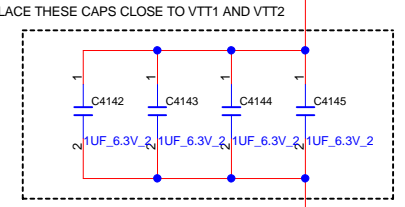
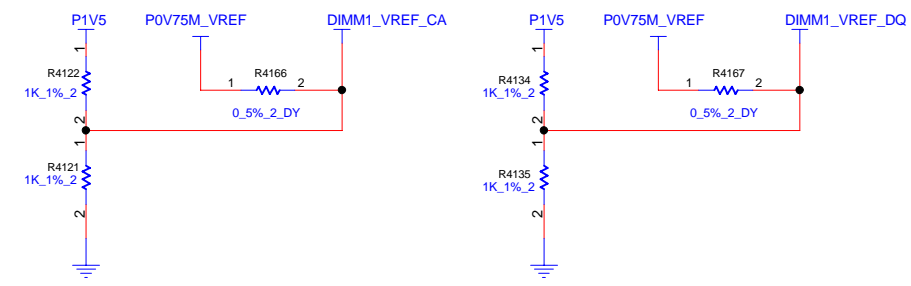
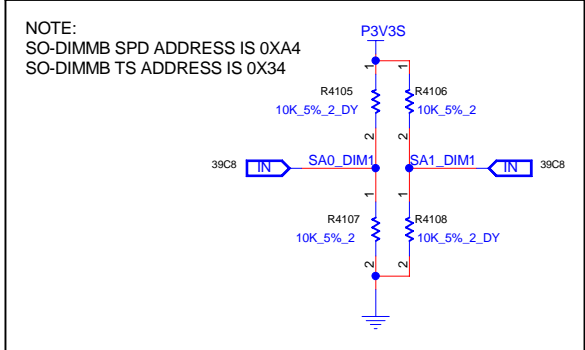
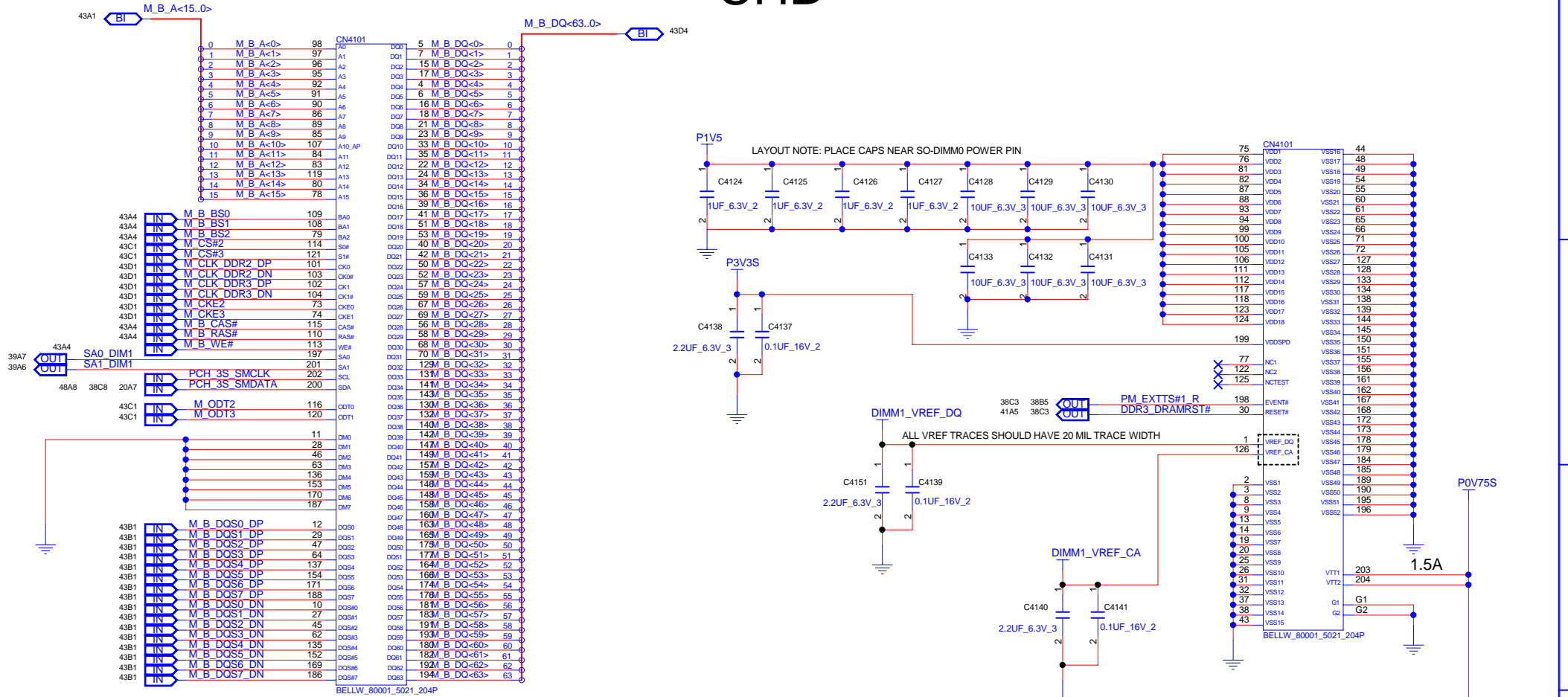
# CHA



**INVENTEC**

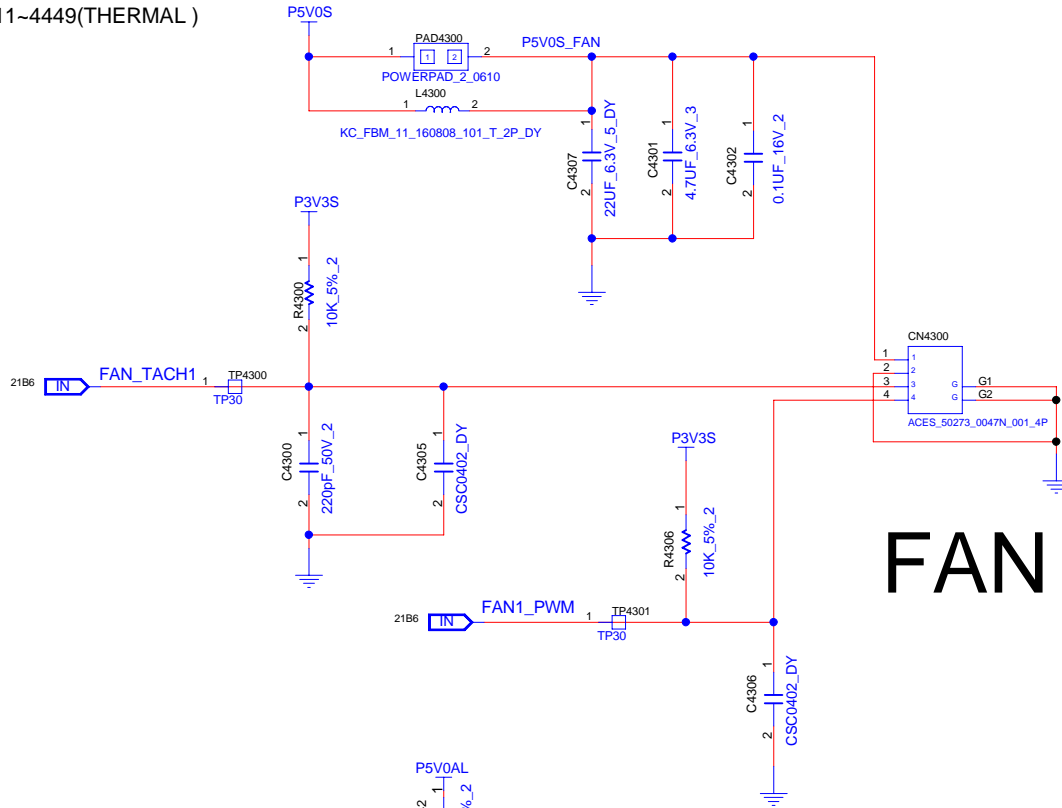
TITLE			
MODEL PROJECT FUNCTION			
Block Diagram			
SIZE	CODE	DOC NUMBER	REV
A3	CS	1310xxxxx-0-0	X01
CHANGE by XXX			DATE 21-OCT-2002
SHEET 38 of 70			

# CHB

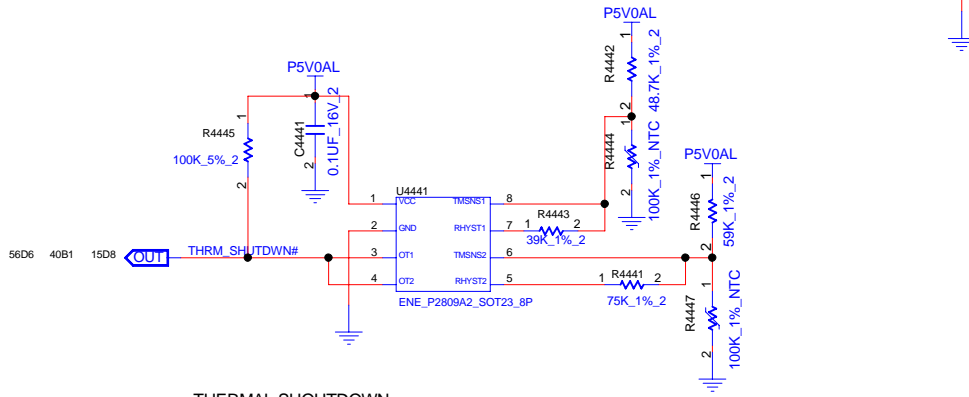


<b>INVENTEC</b>			
TITLE			
MODEL PROJECT FUNCTION			
Block Diagram			
SIZE	CODE	DOC NUMBER	REV
A3	CS	1310xxxx-0-0	X01
CHANGE by XXX			DATE 21-OCT-2002
SHEET 39			of 70

REFERENCE 4300~4349(FAN)  
 REFERENCE 4411~4449(THERMAL)



# FAN CN

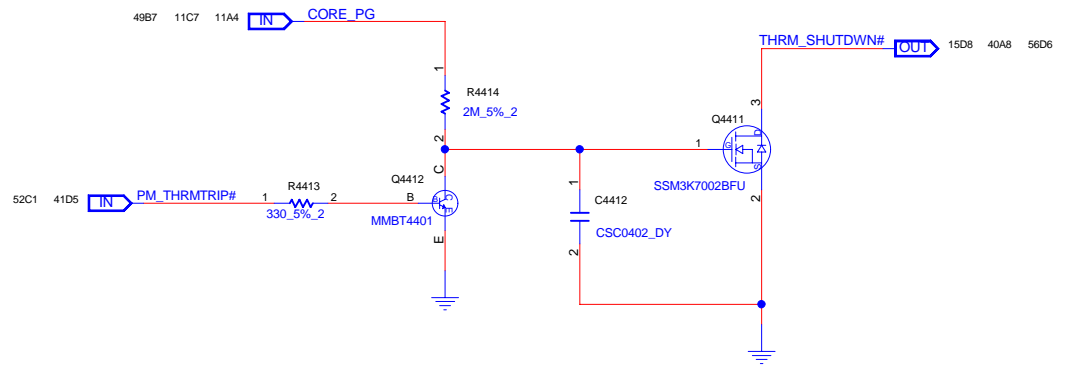


## THERMAL SHUTDOWN

GM THERMAL SHUTDOWN CPU SIDE AT 68.6 C  
 GM THERMAL SHUTDOWN VGA SIDE AT 63.4 C

PM THERMAL SHUTDOWN CPU SIDE AT 71.9 C  
 PM THERMAL SHUTDOWN VGA SIDE AT 80.2 C

	10F	10FG
R4442	48.7K	43.2K
R4443	39K	30.1K
R4446	59K	32.4K
R4441	75K	18.2K

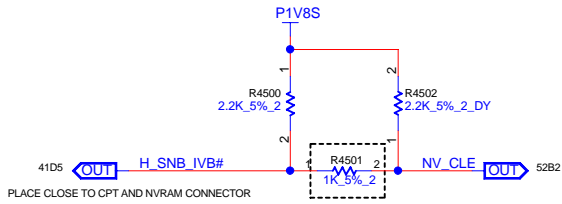


# INVENTEC

TITLE			
MODEL PROJECT.FUNCTION			
Block Diagram			
SIZE	CODE	DOC NUMBER	REV
A3	CS	1310xxxx-0-0	X01

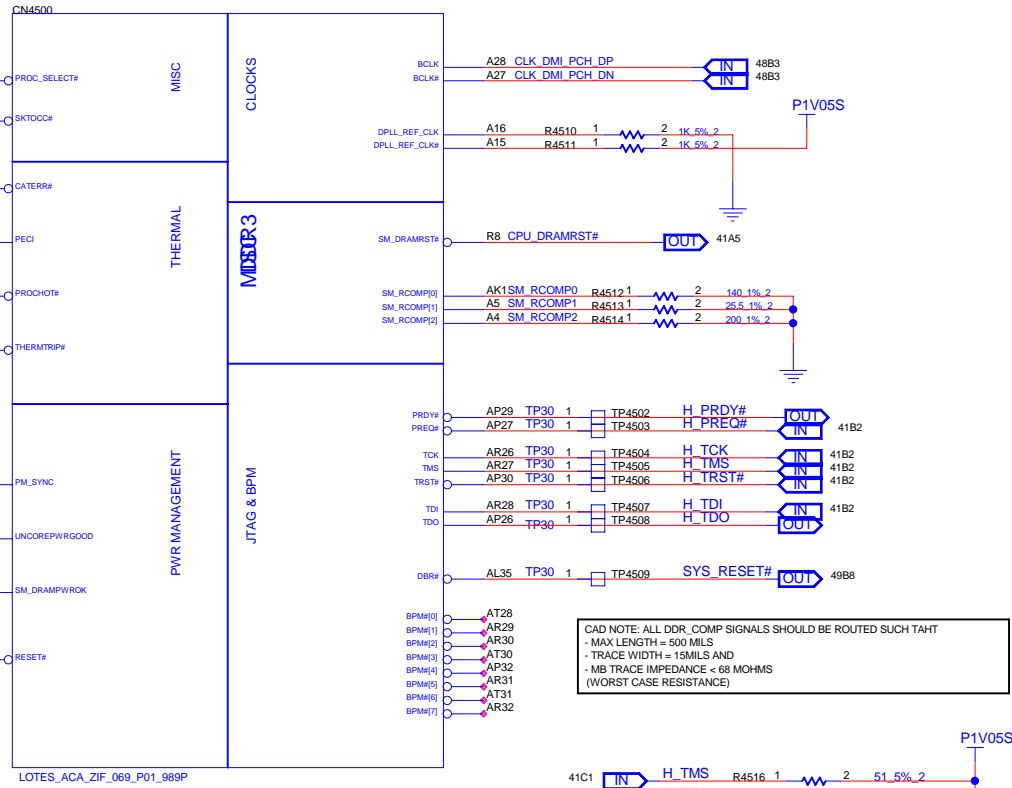
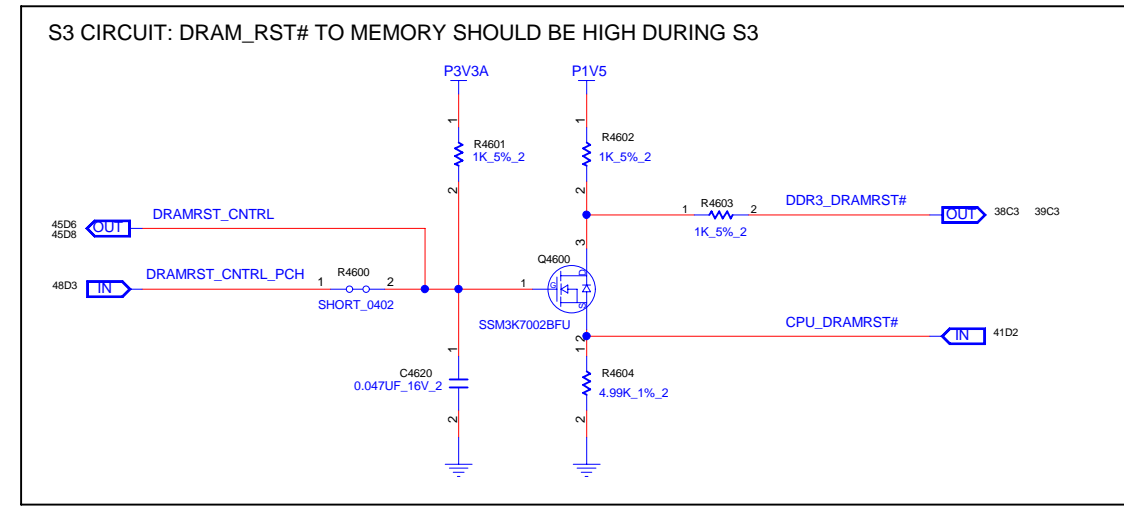
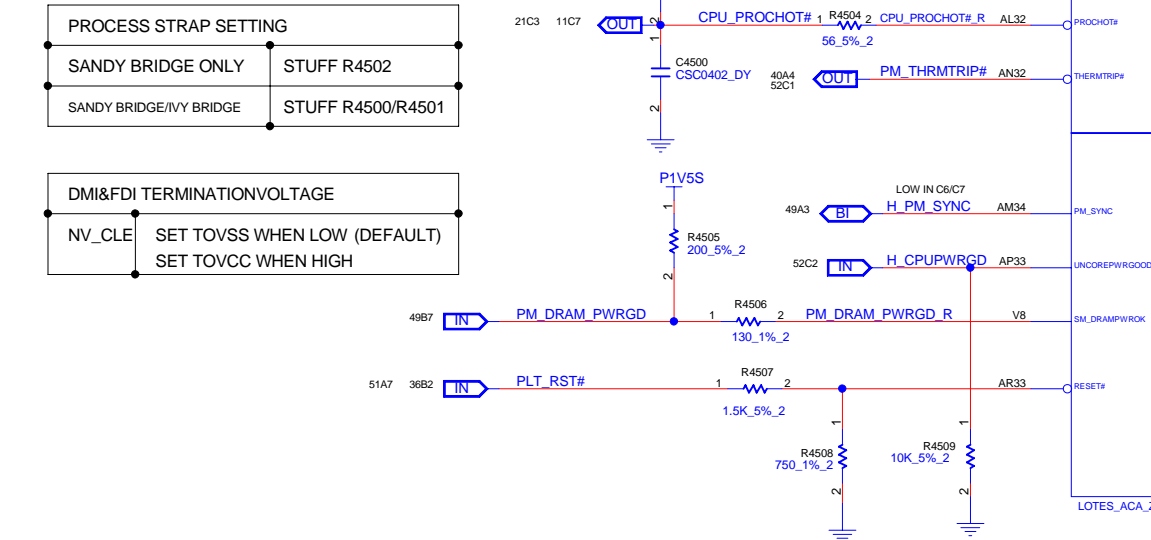


REFERENCE 4500-4699(CPU)

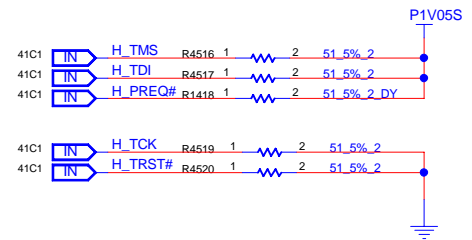


PROCESS STRAP SETTING	
SANDY BRIDGE ONLY	STUFF R4502
SANDY BRIDGE/IVY BRIDGE	STUFF R4500/R4501

DMI&FDI TERMINATIONVOLTAGE	
NV_CLE	SET TOVSS WHEN LOW (DEFAULT) SET TOVCC WHEN HIGH



CAD NOTE: ALL DDR\_COMP SIGNALS SHOULD BE ROUTED SUCH THAT  
 - MAX LENGTH = 500 MILS  
 - TRACE WIDTH = 15MILS AND  
 - MB TRACE IMPEDANCE = 68 MOHMS  
 (WORST CASE RESISTANCE)

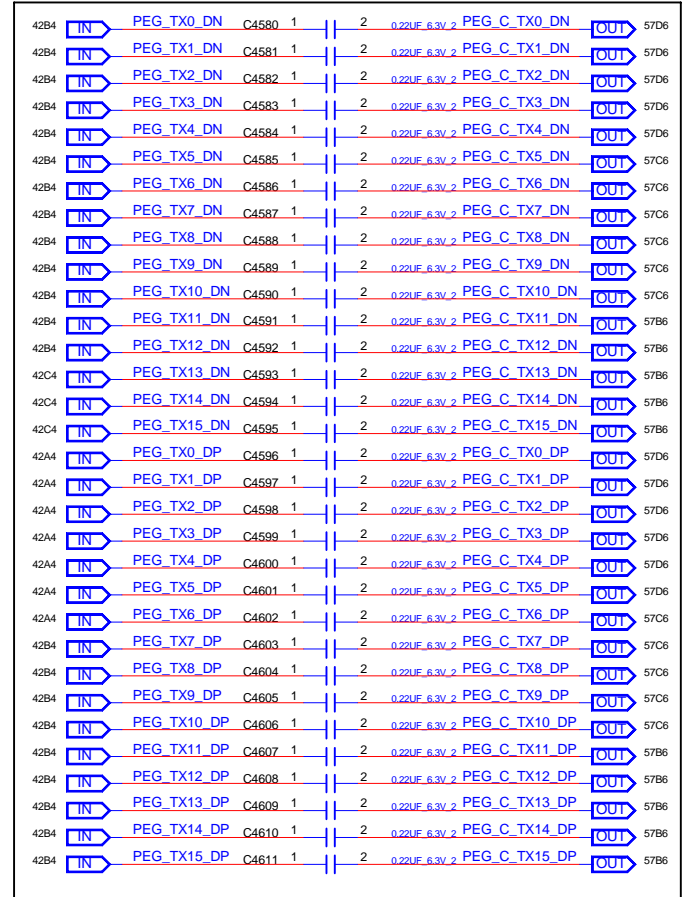
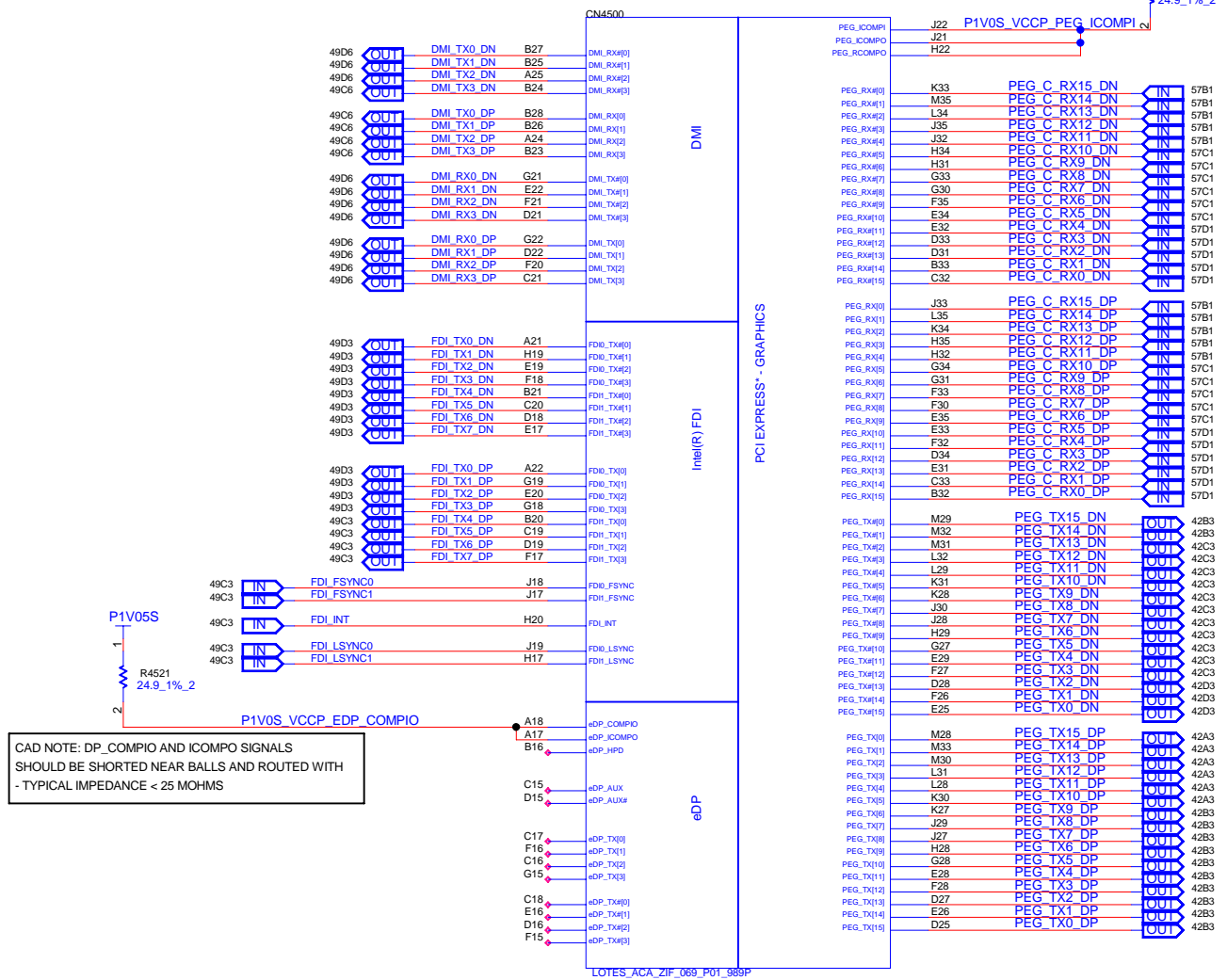


<b>INVENTEC</b>			
TITLE			
MODEL PROJECT.FUNCTION			
Block Diagram			
SIZE	CODE	DOC NUMBER	REV
A3	CS	1310xxxx-0-0	X01
CHANGE by XXX		DATE 21-OCT-2002	SHEET 41 of 70

# REFERENCE 4500~4699(CPU)

CAD NOTE: PEG\_ICOMPI AND RCOMPO SIGNALS SHOULD BE SHORTED AND ROUTED WITH  
 - MAX LENGTH = 500 MILS  
 - TYPICAL IMPEDANCE = 43 MOHMS

PEG\_ICOMPO SIGNALS SHOULD BE ROUTED WITH  
 - MAX LENGTH = 500 MILS  
 - TYPICAL IMPEDANCE = 14.5 MOHMS



CAD NOTE: DP\_COMPIO AND ICOMPO SIGNALS SHOULD BE SHORTED NEAR BALLS AND ROUTED WITH  
 - TYPICAL IMPEDANCE < 25 MOHMS

**INVENTEC**

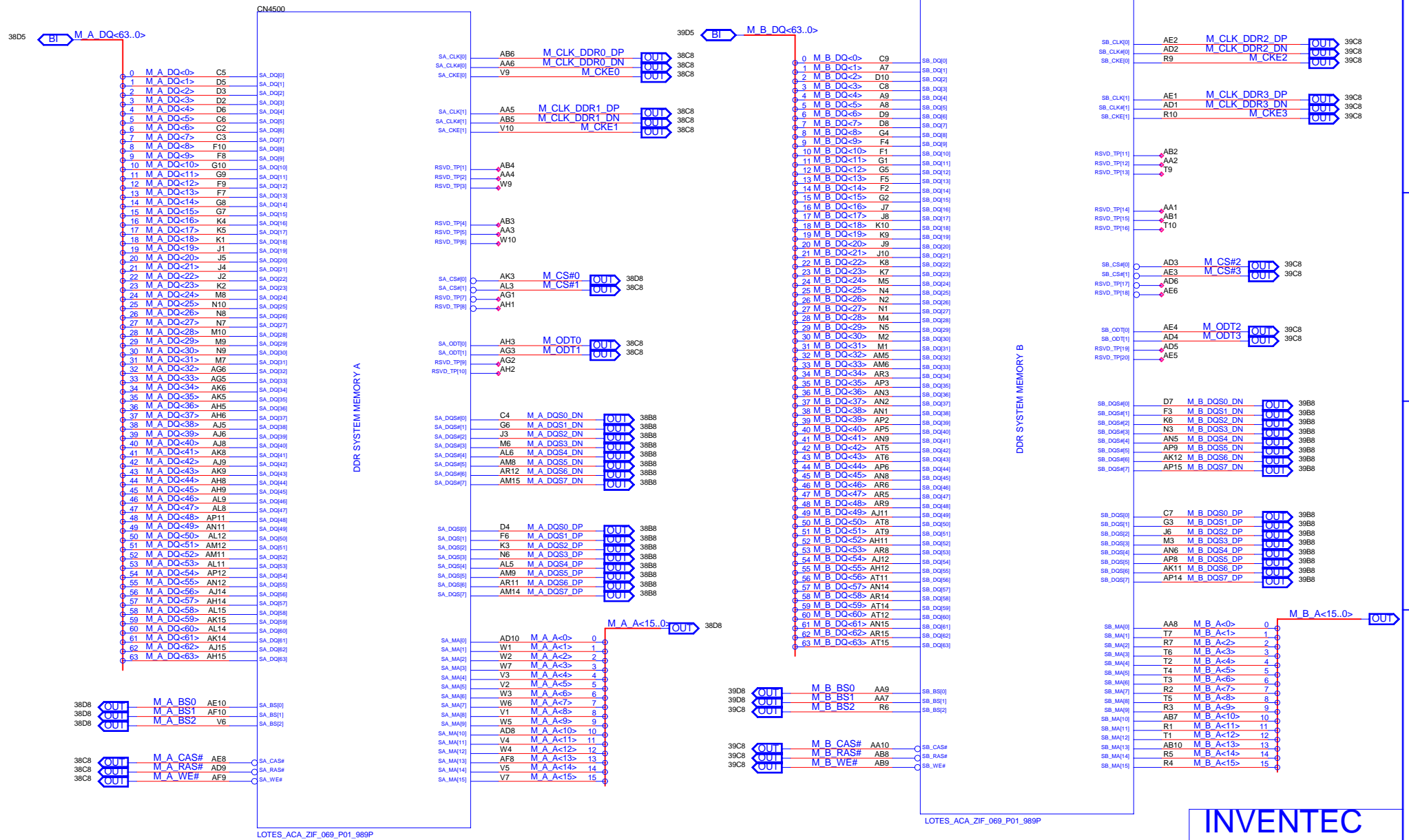
TITLE: MODEL PROJECT.FUNCTION  
 Block Diagram

SIZE A3	CODE CS	DOC NUMBER 1310xxxx-0-0	REV X01
---------	---------	-------------------------	---------

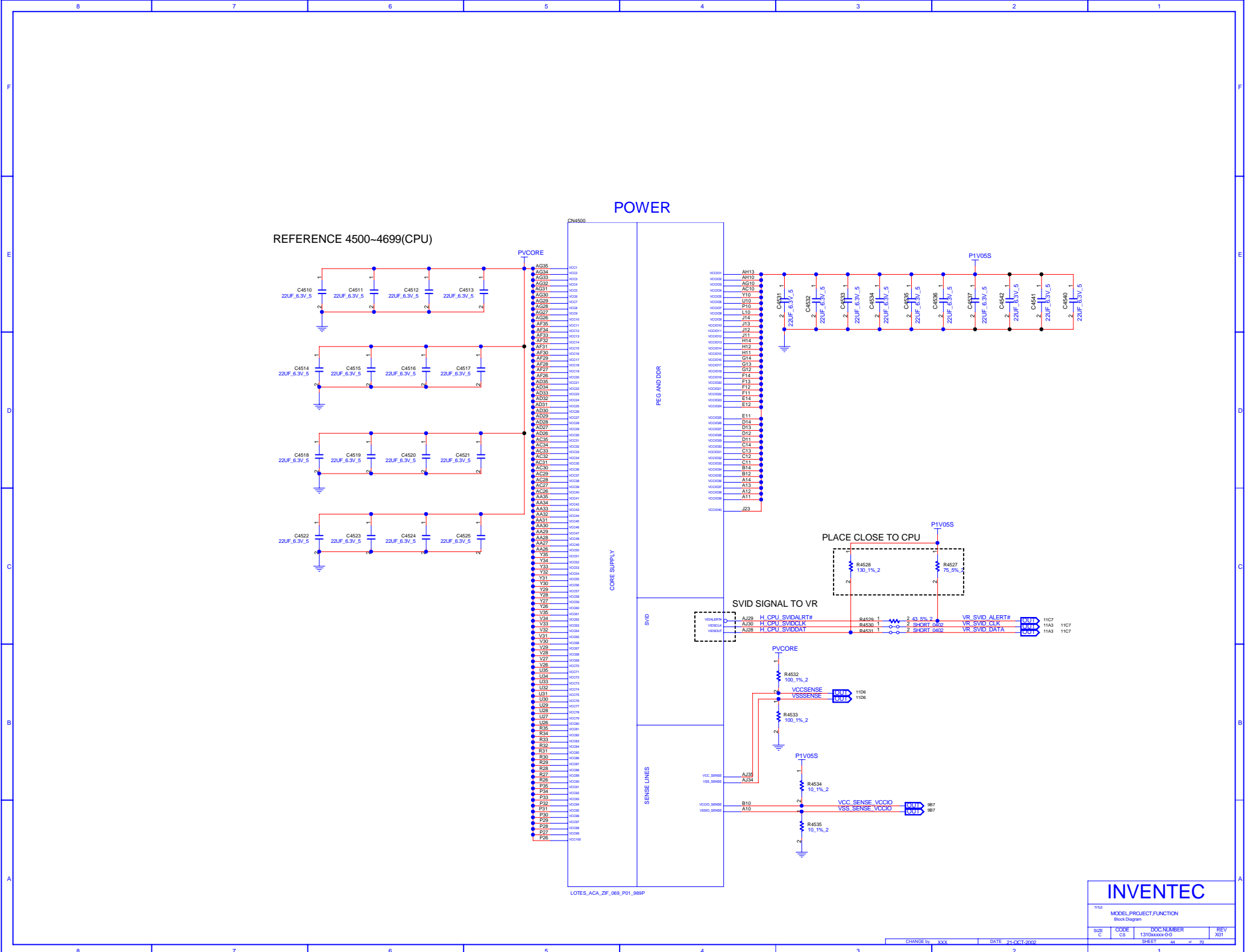
CHANGE by XXX DATE 21-OCT-2002 SHEET 42 of 70

REFERENCE 4500-4699(CPU)

SOCKET,CPU,989P,TIN,3.0MM,STR,SMD,TR



<b>INVENTEC</b>			
TITLE			
MODEL PROJECT FUNCTION			
Block Diagram			
SIZE	CODE	DOC NUMBER	REV
A3	CS	1310xxxx-0-0	X01
CHANGE by XXX			DATE 21-OCT-2002
SHEET 43 of 70			



POWER

REFERENCE 4500-4699(CPU)

- CN4500
- PV CORE
- AG35
- AG34
- AG33
- AG32
- AG31
- AG30
- AG29
- AG28
- AG27
- AG26
- AF35
- AF34
- AF33
- AF32
- AF31
- AF30
- AF29
- AF28
- AF27
- AF26
- AD35
- AD34
- AD33
- AD32
- AD31
- AD30
- AD29
- AD28
- AD27
- AC35
- AC34
- AC33
- AC32
- AC31
- AC30
- AC29
- AC28
- AC27
- AC26
- AA35
- AA34
- AA33
- AA32
- AA31
- AA30
- AA29
- AA28
- AA27
- Y35
- Y34
- Y33
- Y32
- Y31
- Y30
- Y29
- Y28
- Y27
- Y26
- V35
- V34
- V33
- V32
- V31
- V30
- V29
- V28
- V27
- V26
- U34
- U33
- U32
- U31
- U30
- U29
- U28
- U27
- U26
- R35
- R34
- R33
- R32
- R31
- R30
- R29
- R28
- R27
- R26
- P35
- P34
- P33
- P32
- P31
- P30
- P29
- P28
- P27
- P26

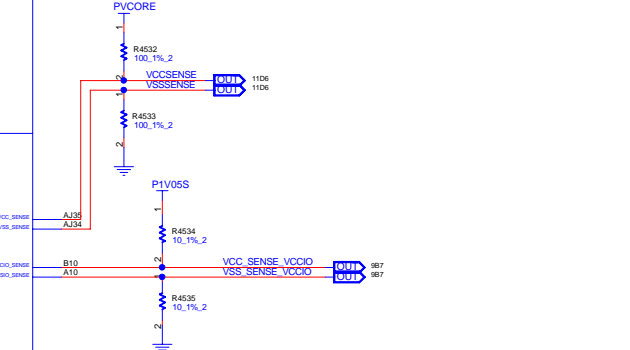
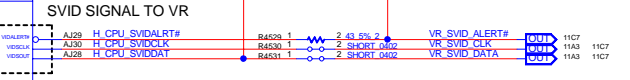
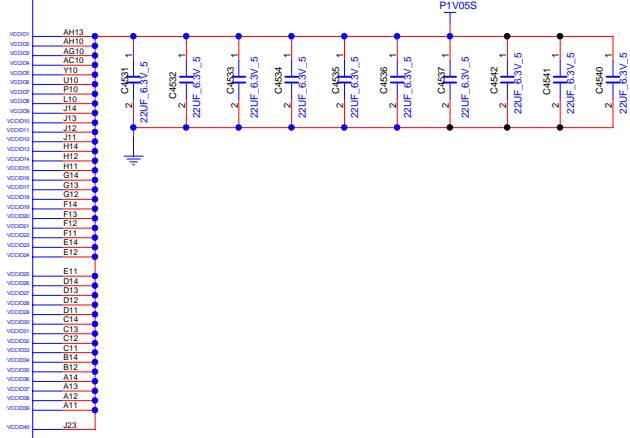
CORE SUPPLY

PEG AND DDR

SVID

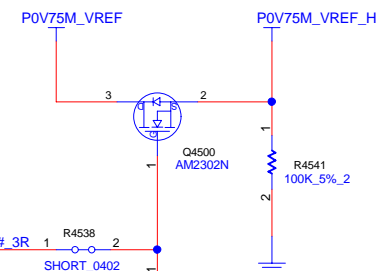
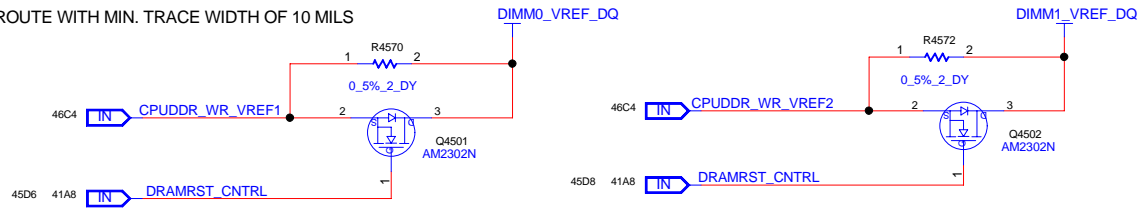
SENSE LINES

LOTES\_ACA\_ZIF\_069\_P01\_989P

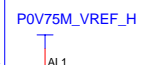
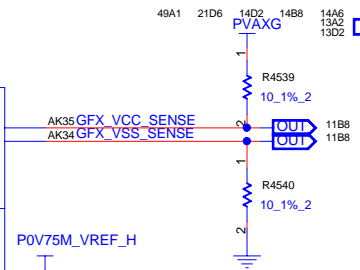
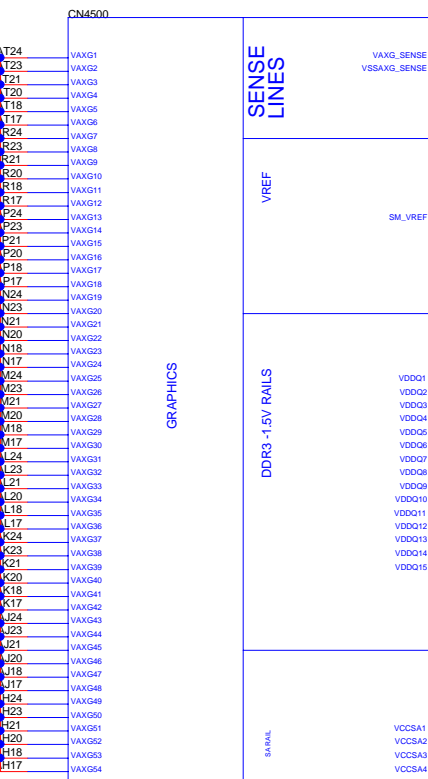
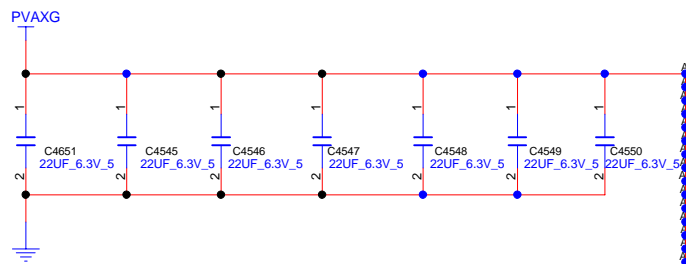


<b>INVENTEC</b>			
Title MODEL_PROJECT.FUNCTION Block Diagram			
SIZE	CODE	DOC NUMBER	REV
C	C3	1310XXXXX-03	X01
SHEET		44	of 49

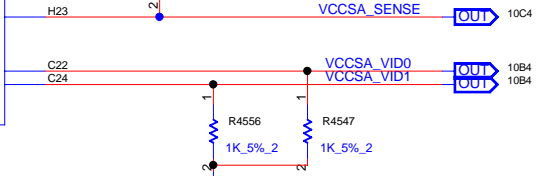
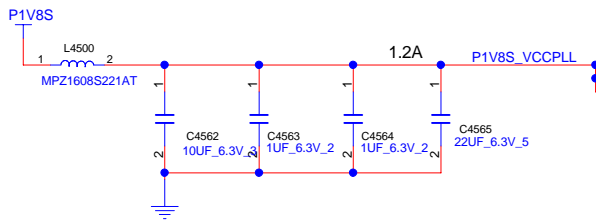
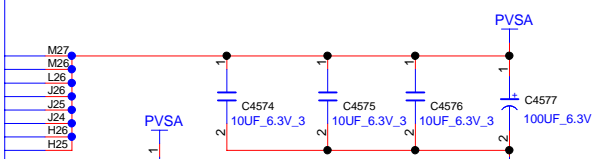
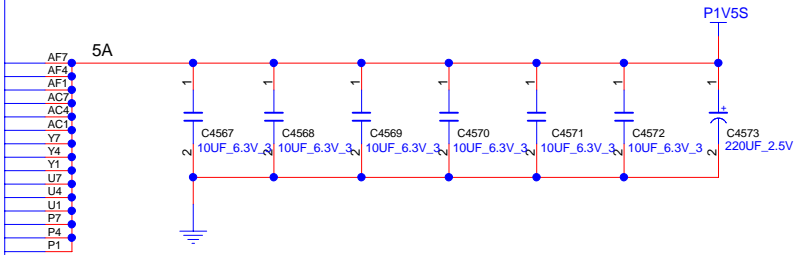
PROCESSOR DRIVEN VREF PATH WAS STUFFED BY DEFAULT:  
ROUTE WITH MIN. TRACE WIDTH OF 10 MILS



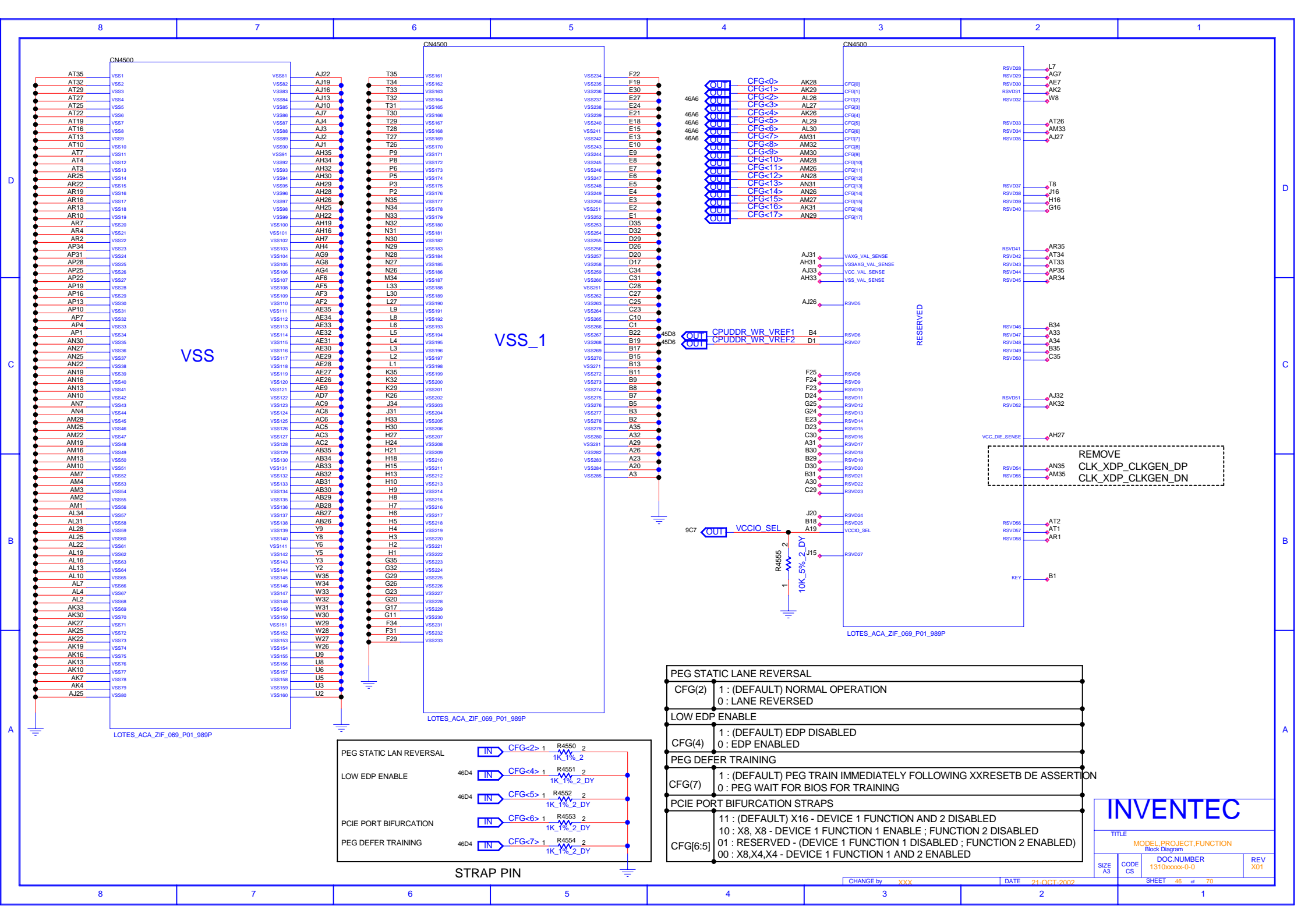
## POWER



NOTE : DDR\_WVREF SHOULD HAVE 20/20 MIL WHEREVER POSSIBLE

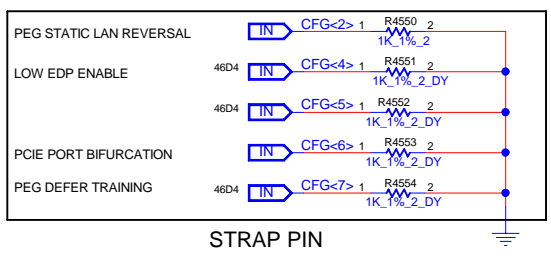


<b>INVENTEC</b>			
TITLE			
MODEL PROJECT FUNCTION			
Block Diagram			
SIZE	CODE	DOC NUMBER	REV
A3	CS	1310xxxx-0-0	X01
CHANGE by XXX			DATE 21-OCT-2002
SHEET 45 of 70			



VSS

VSS\_1

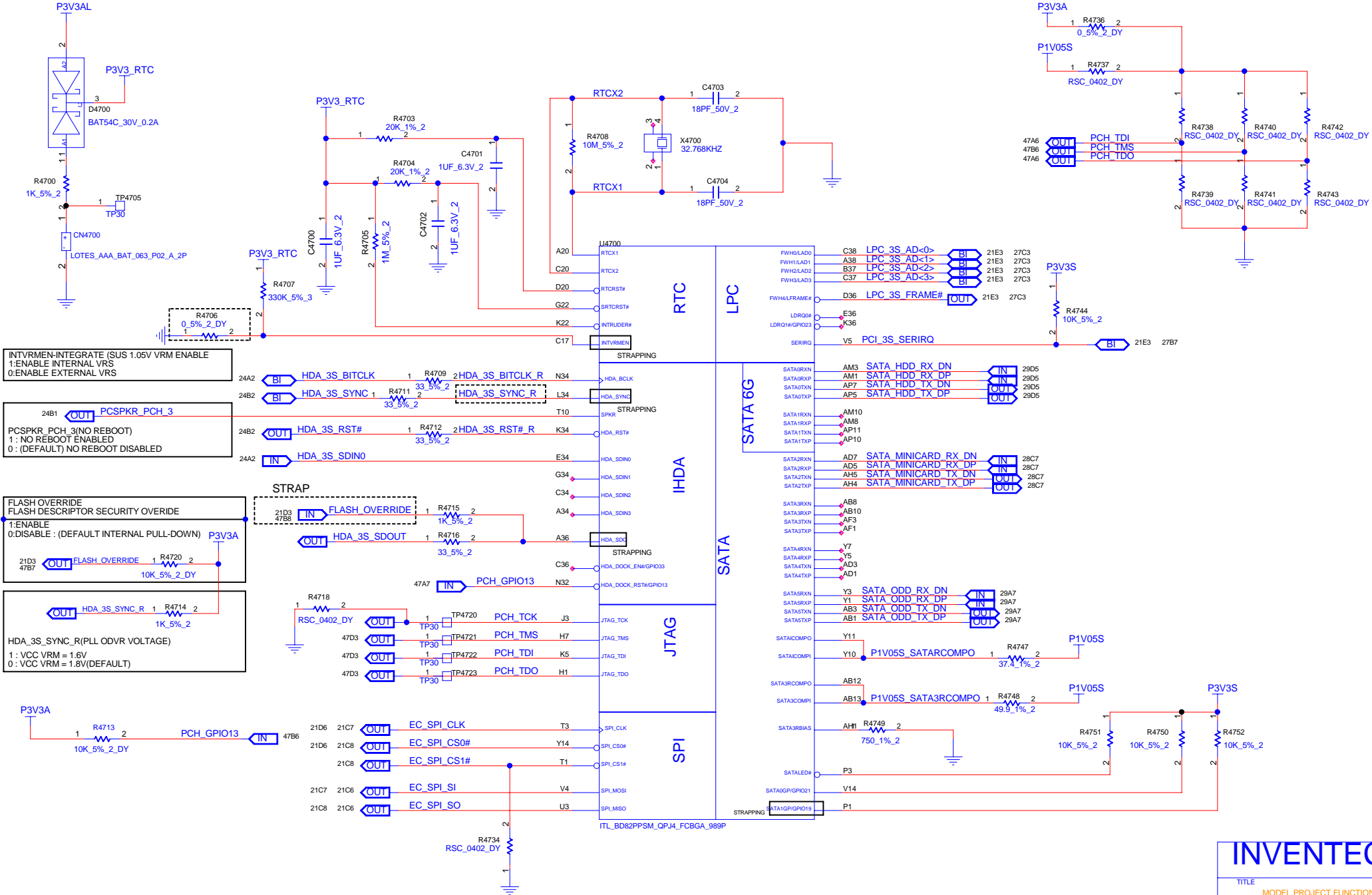


PEG STATIC LANE REVERSAL	
CFG(2)	1 : (DEFAULT) NORMAL OPERATION 0 : LANE REVERSED
LOW EDP ENABLE	
CFG(4)	1 : (DEFAULT) EDP DISABLED 0 : EDP ENABLED
PEG DEFER TRAINING	
CFG(7)	1 : (DEFAULT) PEG TRAIN IMMEDIATELY FOLLOWING XXRESETB DE ASSERTION 0 : PEG WAIT FOR BIOS FOR TRAINING
PCIE PORT BIFURCATION STRAPS	
CFG[6:5]	11 : (DEFAULT) X16 - DEVICE 1 FUNCTION AND 2 DISABLED 10 : X8, X8 - DEVICE 1 FUNCTION 1 ENABLE ; FUNCTION 2 DISABLED 01 : RESERVED - (DEVICE 1 FUNCTION 1 DISABLED ; FUNCTION 2 ENABLED) 00 : X8,X4,X4 - DEVICE 1 FUNCTION 1 AND 2 ENABLED

REMOVE  
CLK\_XDP\_CLKGEN\_DP  
CLK\_XDP\_CLKGEN\_DN

<b>INVENTEC</b>			
TITLE			
MODEL PROJECT.FUNCTION			
Block Diagram			
SIZE	CODE	DOC NUMBER	REV
A3	CS	1310xxxx-0-0	X01
SHEET 46 of 70			

REFERENCE 4700~4949(PCH)



INTVRMEN-INTEGRATE (SUS 1.05V VRM ENABLE)  
 1:ENABLE INTERNAL VRS  
 0:ENABLE EXTERNAL VRS

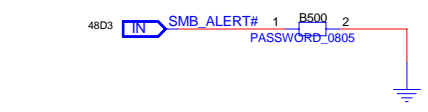
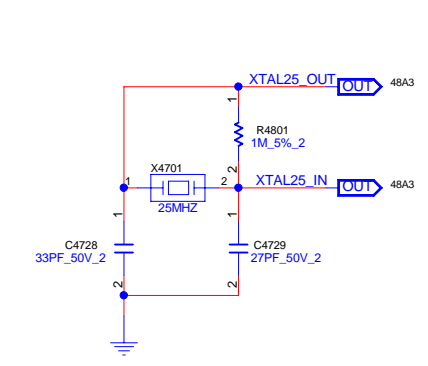
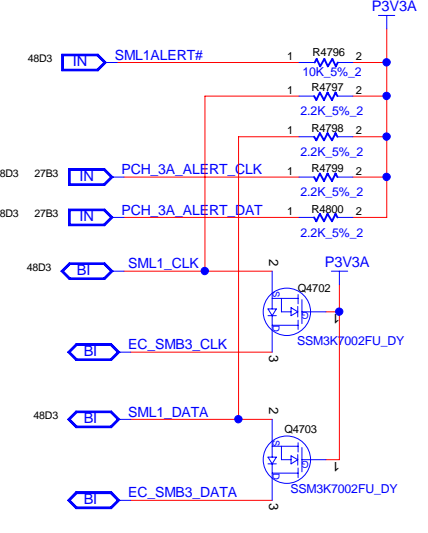
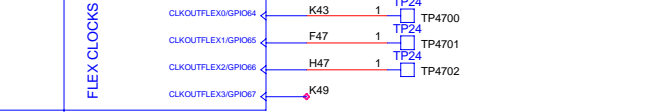
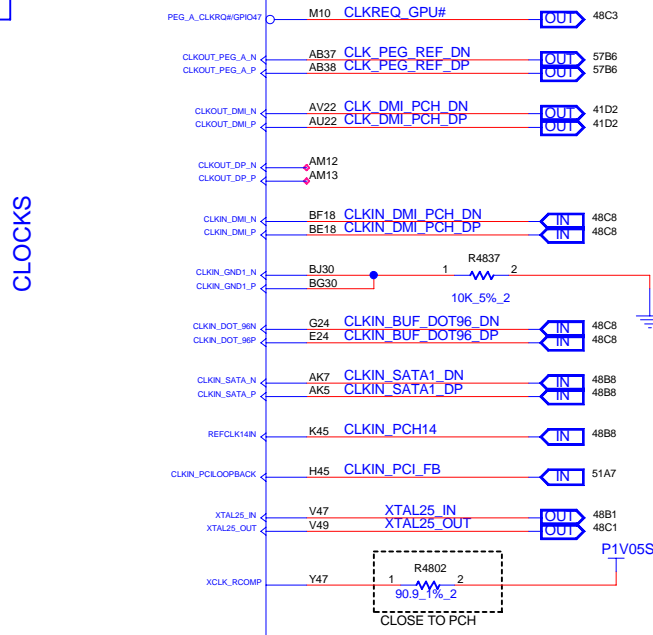
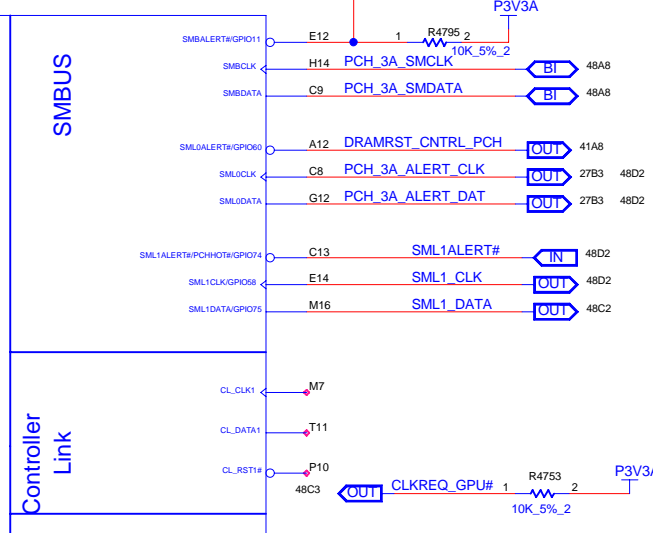
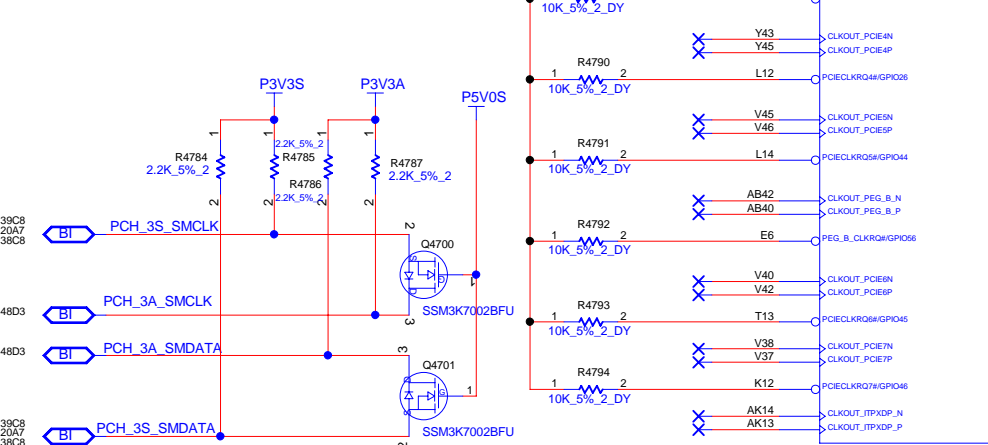
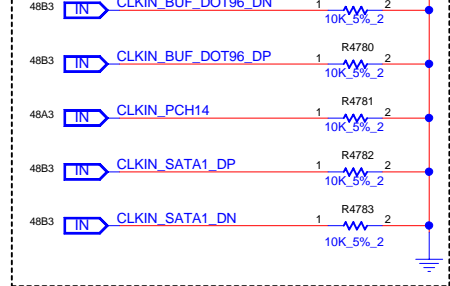
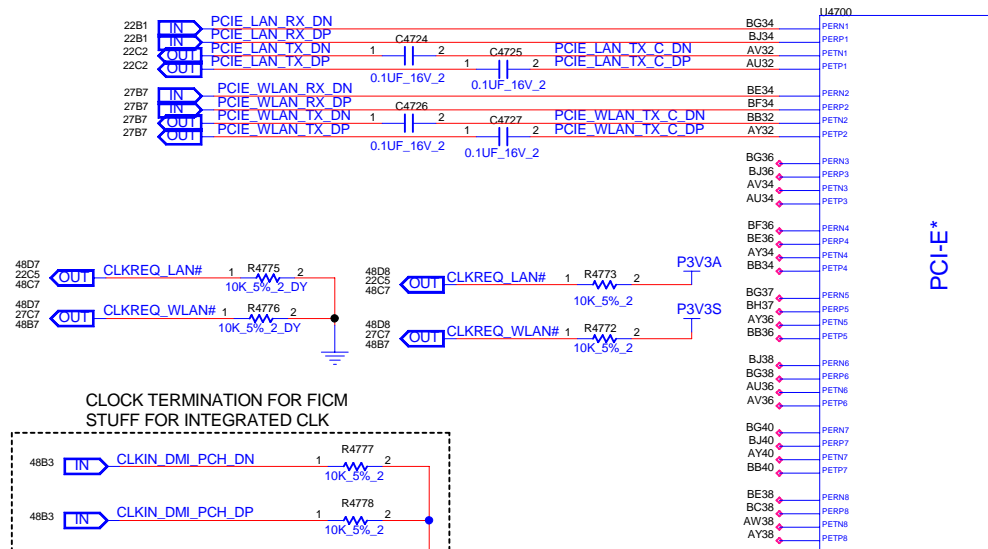
PCSPKR\_PCH\_3  
 1: NO REBOOT  
 0: (DEFAULT) NO REBOOT DISABLED

FLASH OVERRIDE  
 FLASH DESCRIPTOR SECURITY OVERRIDE  
 1:ENABLE  
 0:DISABLE : (DEFAULT INTERNAL PULL-DOWN)

HDA\_3S\_SYNC\_R (PLL ODVR VOLTAGE)  
 1: VCC VRM = 1.6V  
 0: VCC VRM = 1.8V(DEFAULT)

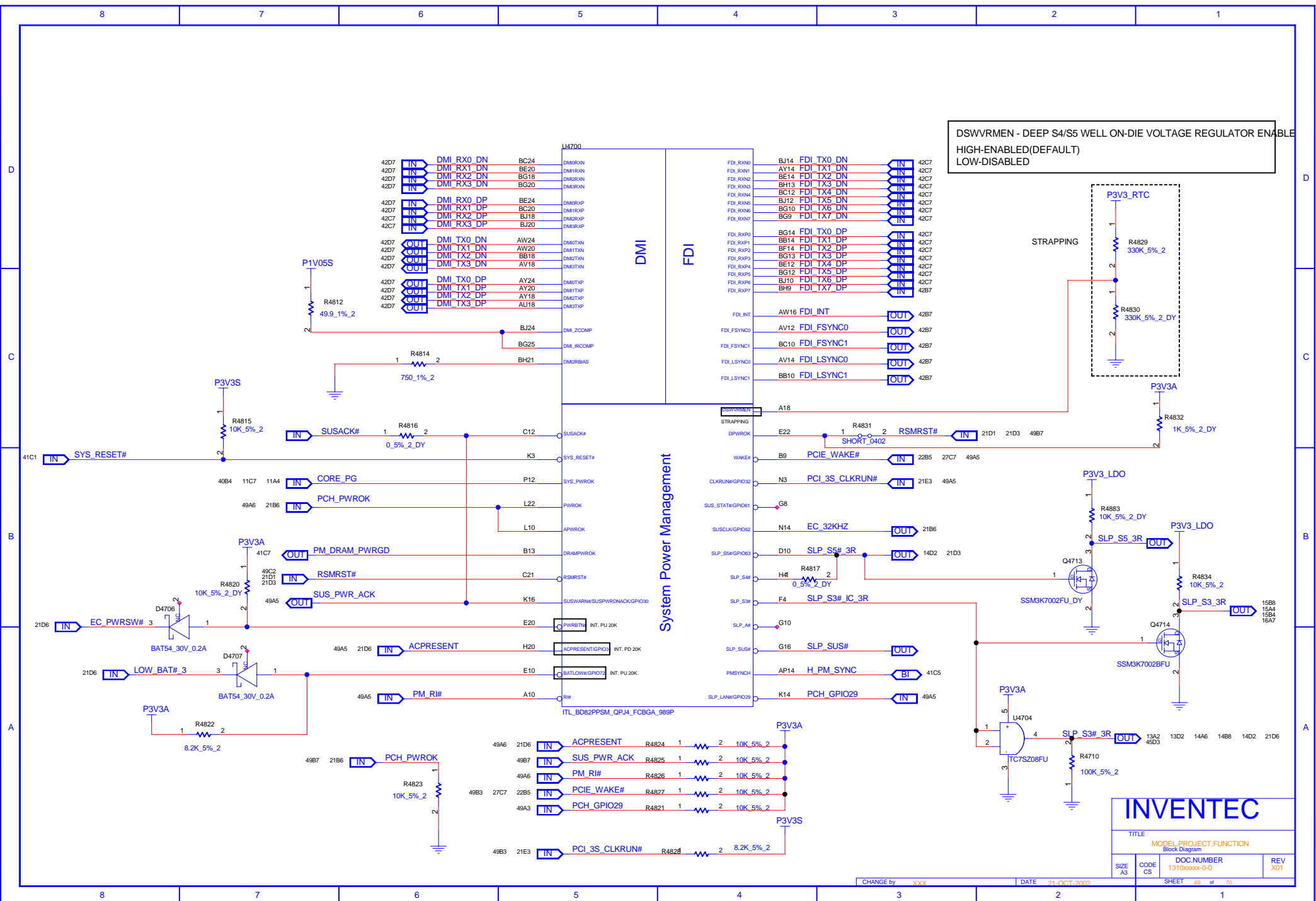
<b>INVENTEC</b>			
TITLE			
MODEL PROJECT FUNCTION			
Block Diagram			
SIZE	CODE	DOC NUMBER	REV
A3	CS	1310xxxx-0-0	X01

REFERENCE 4700~4949(PCH)

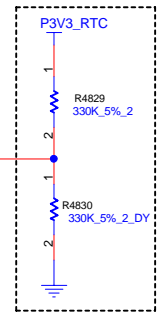


<b>INVENTEC</b>			
TITLE			
MODEL PROJECT FUNCTION			
Block Diagram			
SIZE		REV	
A3	CS	1310xxxx-0-0	X01
CHANGE by XXX		DATE 21-OCT-2002	
SHEET 48		of 70	

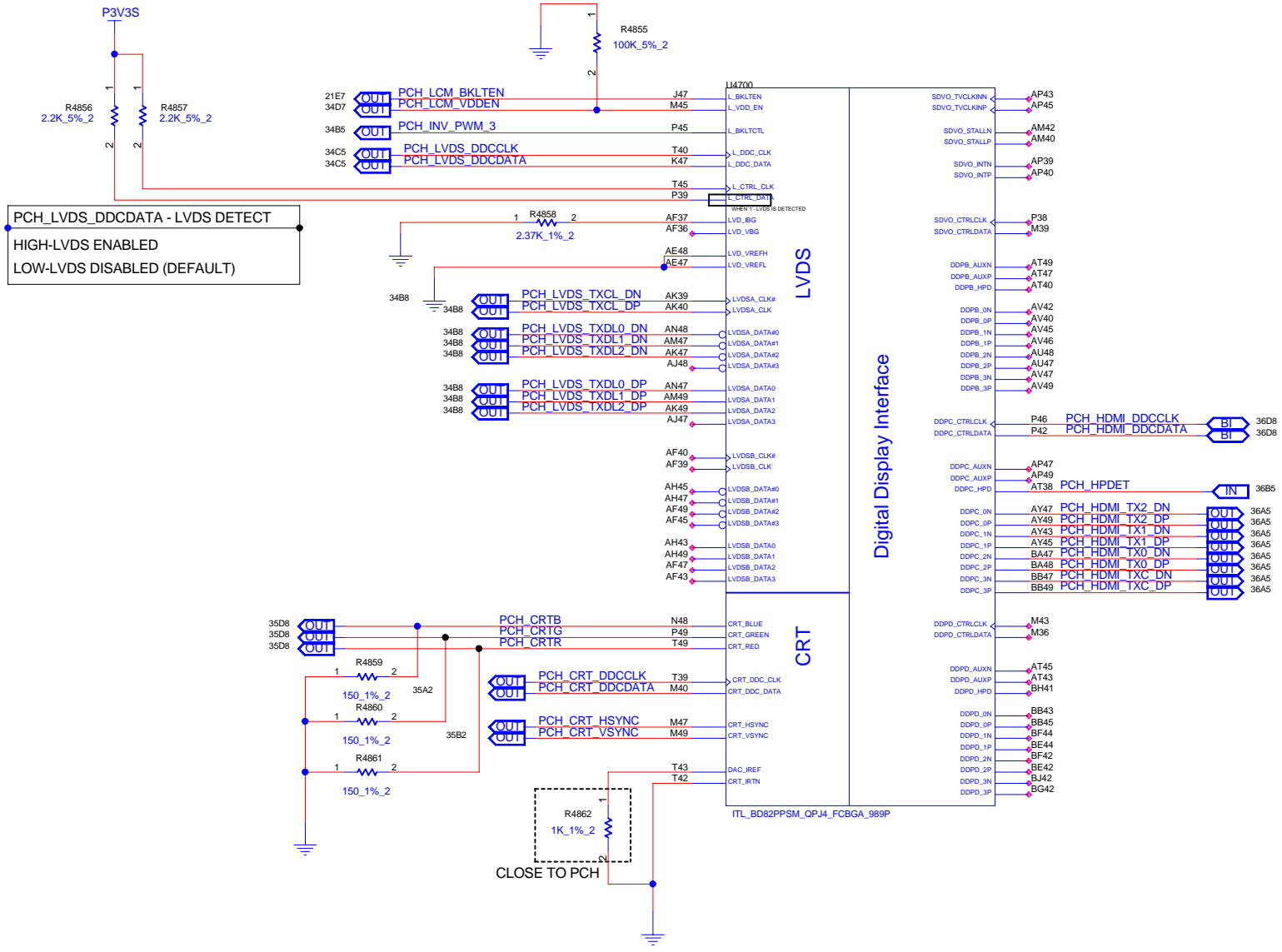




DSWVRMEN - DEEP S4/S5 WELL ON-DIE VOLTAGE REGULATOR ENABLE  
HIGH-ENABLE(DEFAULT)  
LOW-DISABLED

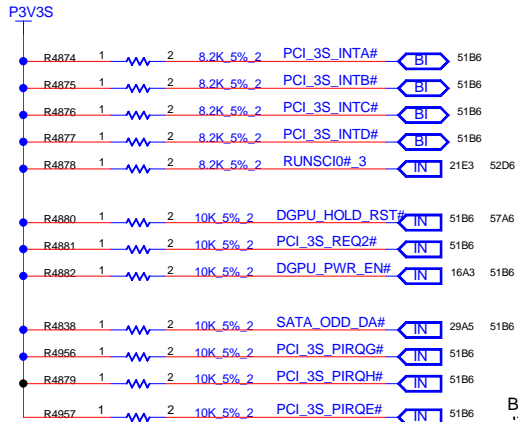


<b>INVENTEC</b>			
TITLE			
MODEL PROJECT.FUNCTION			
Block Diagram			
SIZE	CODE	DOC NUMBER	REV
A3	CS	1310xxxx-U-0	X01
CHANGE by XXX		DATE 21-OCT-2002	
SHEET 49		of 70	

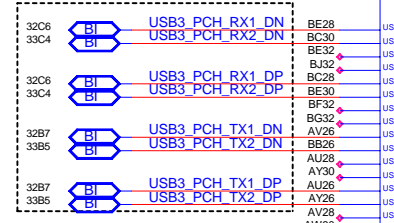


<b>INVENTEC</b>			
TITLE			
MODEL PROJECT FUNCTION Block Diagram			
SIZE A3	CODE CS	DOC NUMBER 1310xxxx-0-0	REV X01
CHANGE by XXX		DATE 21-OCT-2002	SHEET 50 of 70

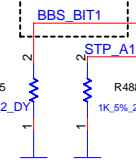
GPIO51 BBS_BIT1	GPIO19 BBS_BIT0	BOOT BIOS DESTINATION
0	1	RESERVED(NAND)
1	0	-----
1	1	SPI (DEFAULT)
0	0	LPC



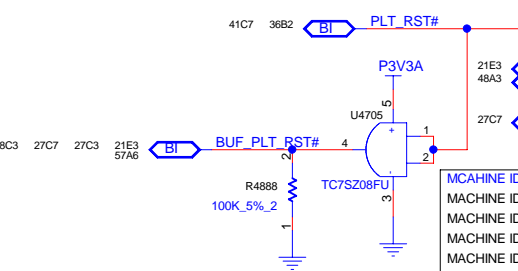
ROUTE WITH 90 OHMS IMPEDANCE  
TOTAL LENGTH NO LONGER THAN 11 INCHES



**BBS STRAPING**



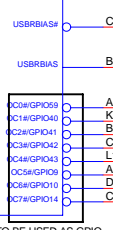
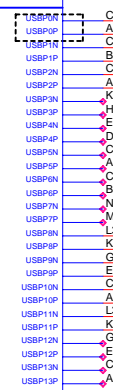
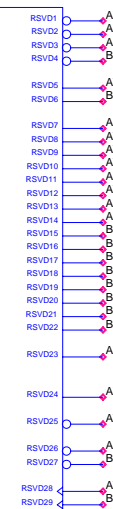
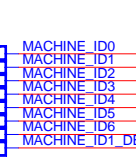
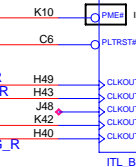
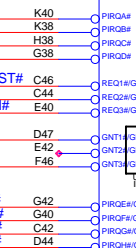
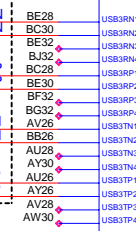
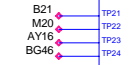
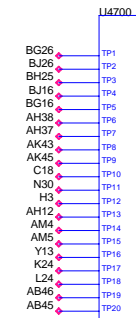
LOW=A16 SWAP OVERRIDE  
STP\_A160VR  
TOP-BLOCK SWAP OVERRIDE  
HIGH=DEFAULT



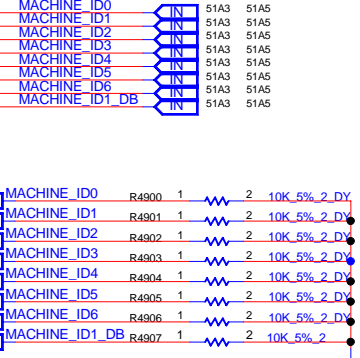
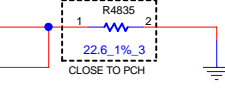
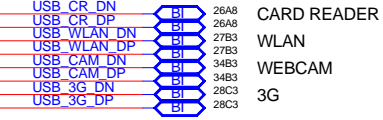
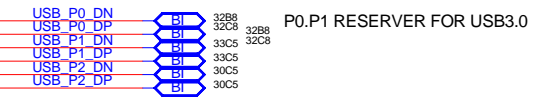
MACHINE ID 0: USB ID0  
MACHINE ID 1: POWER EXPRESS (YES:1 NO:0)  
MACHINE ID 2: UMA:1 / DIS:0  
MACHINE ID 3: MAINSTREAM:1 / ENTRY:0  
MACHINE ID 4: HDMI:1 / NO HDMI:0  
MACHINE ID 5: SLEEP&CHARGE&DOLBY:(YES1 / NO 0)  
MACHINE ID 6: USB ID1  
MACHINE ID 1\_DB : 35W CPU ONLY :1/ 35W&45W CPU:0

USB ID0	USB ID1	USB3.0 X2 / 2.0 X1	USB3.0 X1 / 2.0 X2	USB2.0 X3
1	1	1	1	0
1	0	1	0	1

NOTE:10K\_5%(60130B1030ZT)



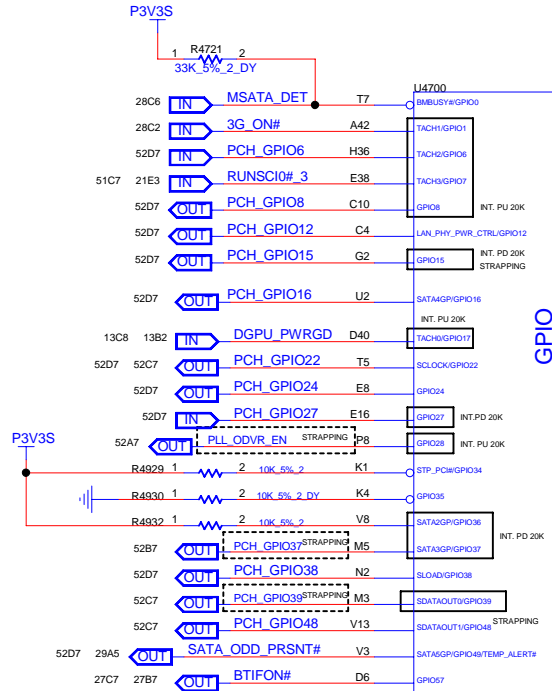
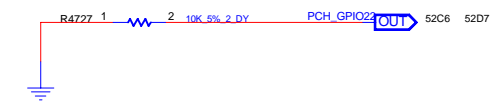
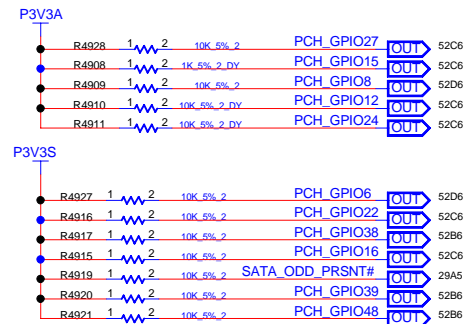
NOTE:  
USB2.0/3.0 COMBO-USB2.0 PORT 0,1 MAPPED USB3.0 PORT 1,2



NOTE:10K\_5%(60130B1030ZT)

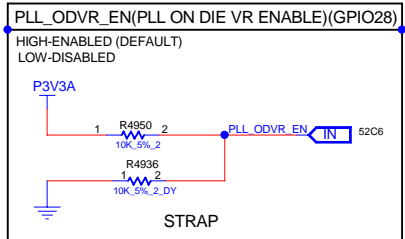
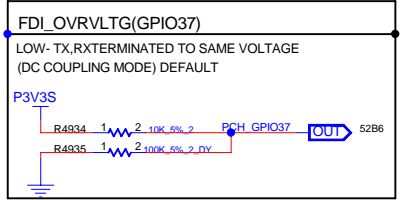
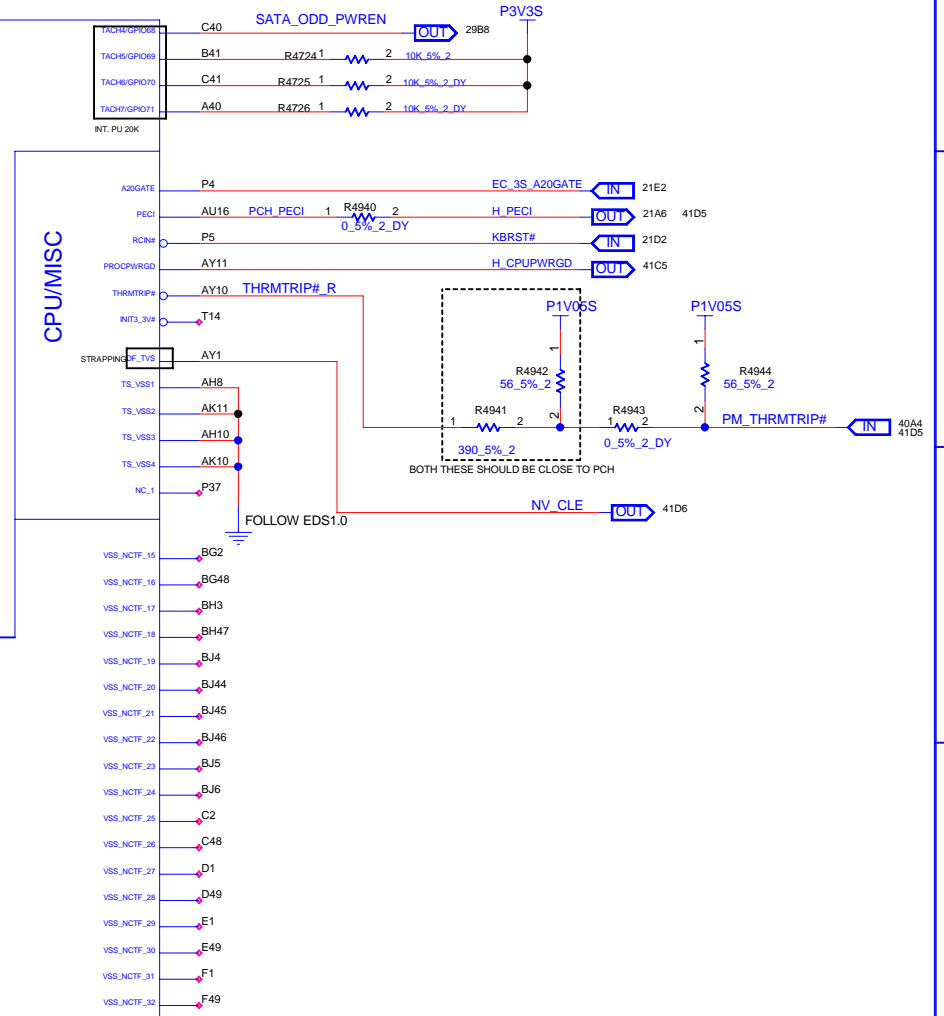
**INVENTEC**

TITLE	MODEL_PROJECT.FUNCTION	DOC.NUMBER	REV
	Block Diagram	1310xxxx-0-0	X01
SIZE A3	CODE CS	SHEET 51 of 70	



GPIO

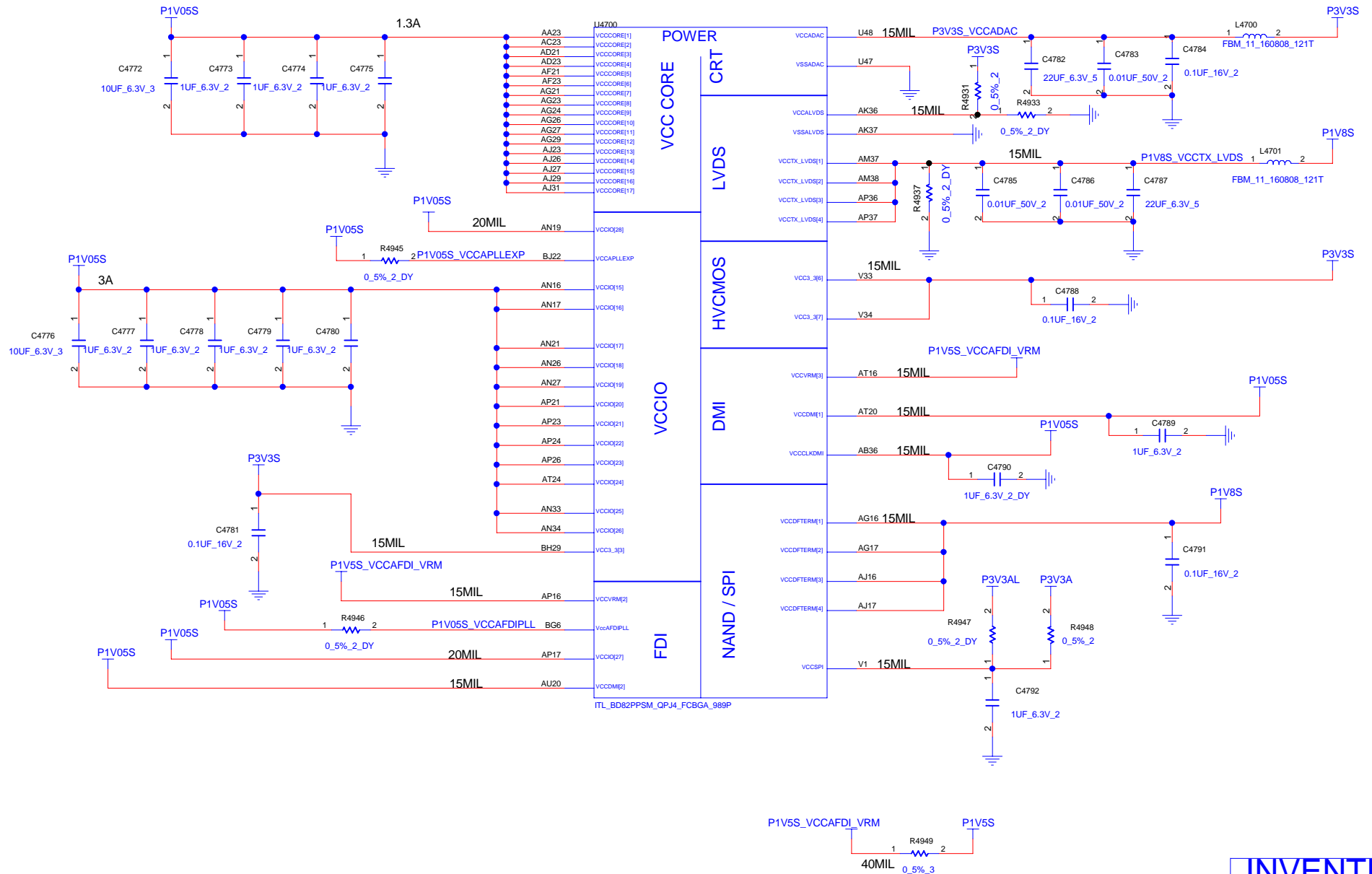
NCTF



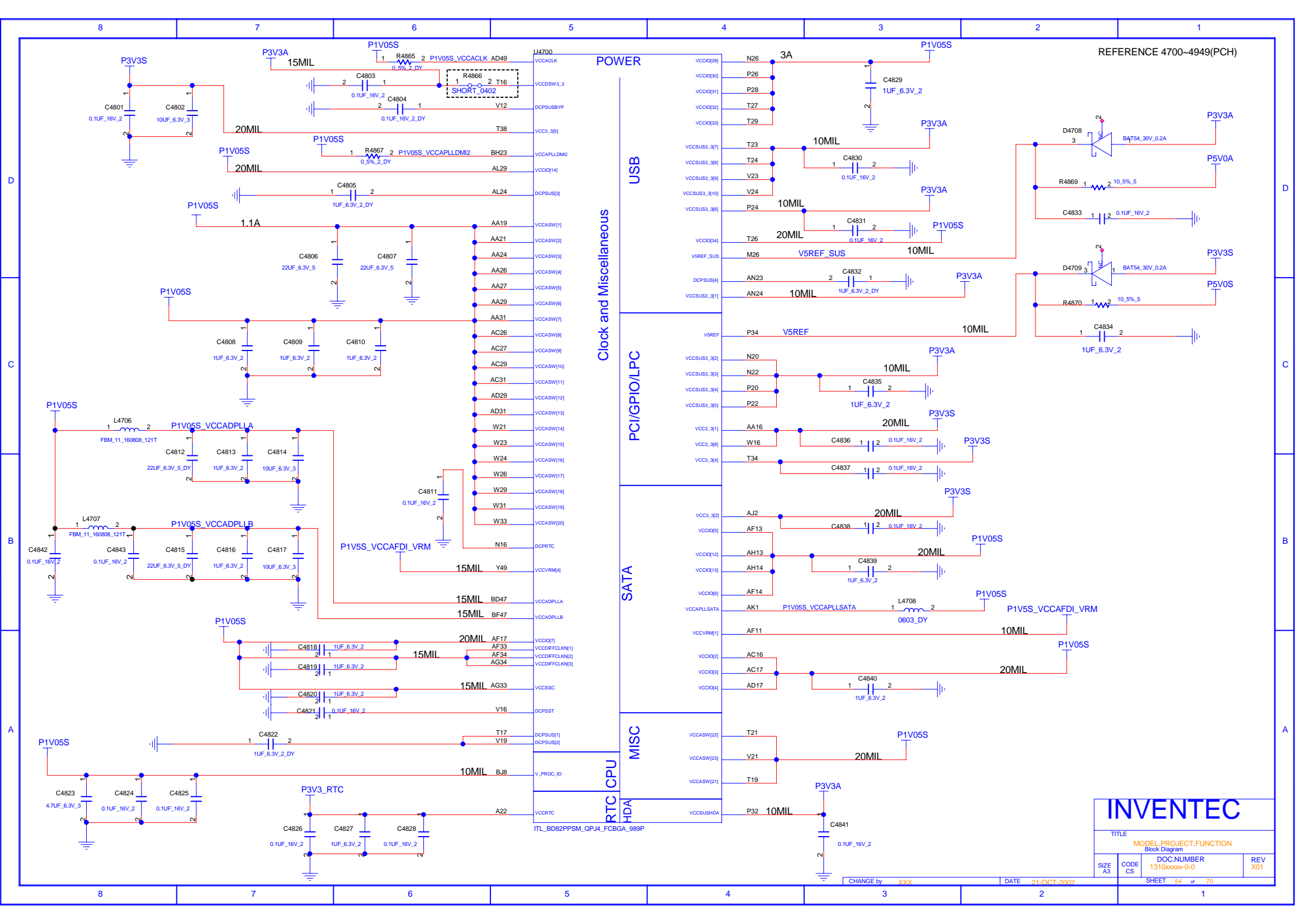
INVENTEC

TITLE			
MODEL PROJECT.FUNCTION			
Block Diagram			
SIZE	CODE	DOC NUMBER	REV
A3	CS	1310xxxx-0-0	X01

REFERENCE 4700~4949(PCH)



<b>INVENTEC</b>			
TITLE MODEL PROJECT FUNCTION Block Diagram			
SIZE A3	CODE CS	DOC NUMBER 1310xxxx-0-0	REV X01
CHANGE by XXX		DATE 21-OCT-2002	SHEET 53 of 70



REFERENCE 4700-4949(PCH)

POWER

USB

Clock and Miscellaneous

PCI/GPIO/LPC

SATA

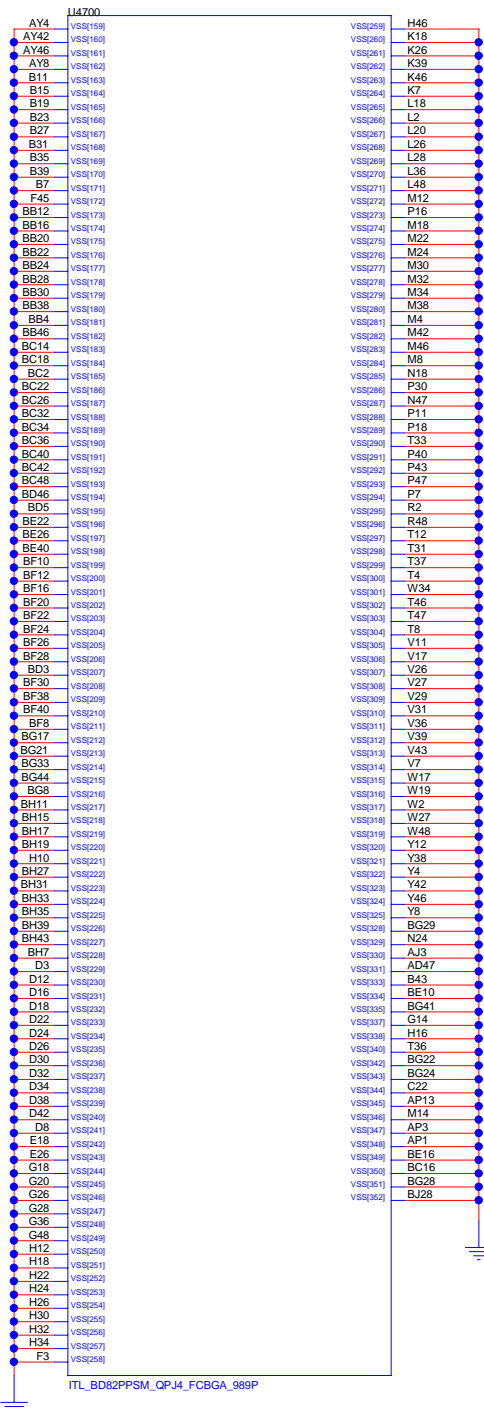
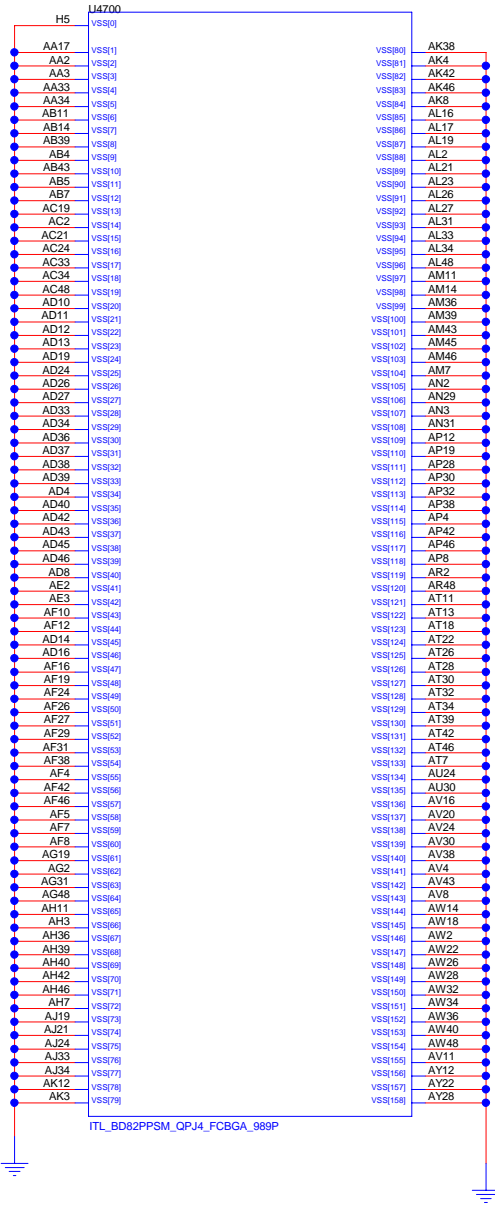
MISC

RTC CPU  
HDA

**INVENTEC**

TITLE			
MODEL PROJECT FUNCTION			
Block Diagram			
SIZE A3		CODE CS	REV X01
DOC NUMBER		REV	
1310xxxx-0-0		X01	
DATE		SHEET	
21-OCT-2002		54 of 70	

REFERENCE 4700-4949(PCH)

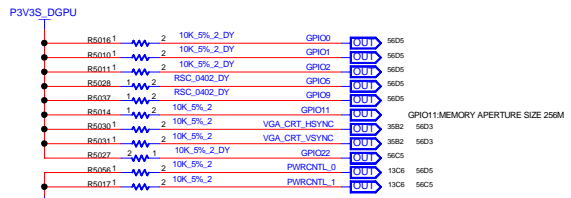


**INVENTEC**

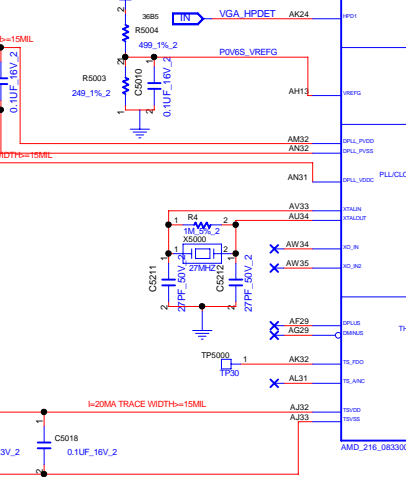
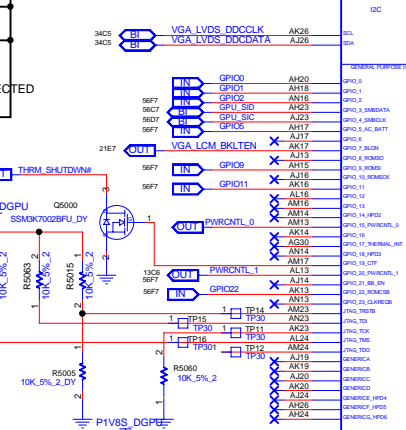
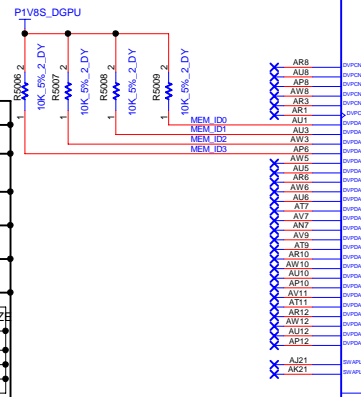
TITLE: MODEL PROJECT,FUNCTION Block Diagram

SIZE A3	CODE CS	DOC NUMBER 1310xxxxx-0-0	REV X01
---------	---------	--------------------------	---------

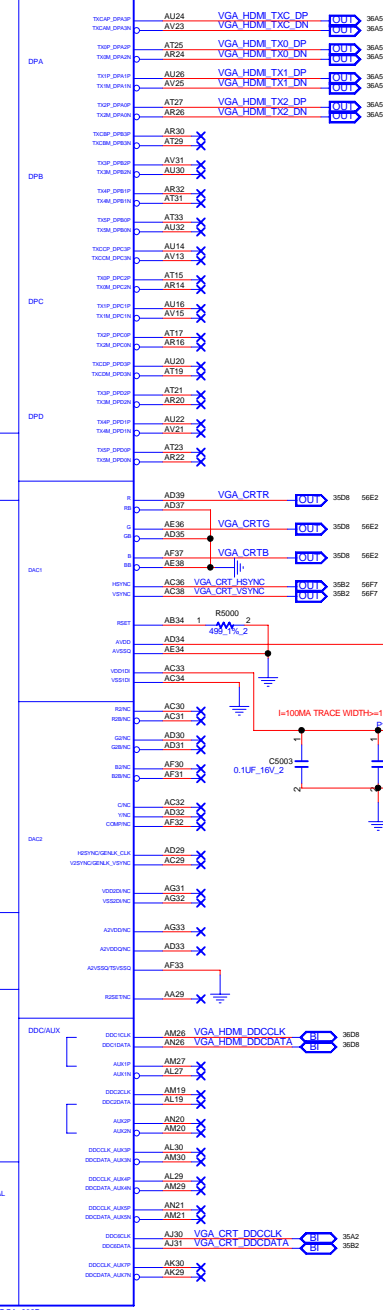
CHANGE by XXX DATE 21-OCT-2002 SHEET 55 of 70



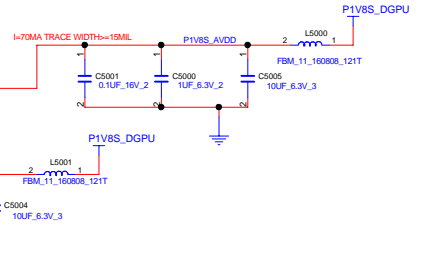
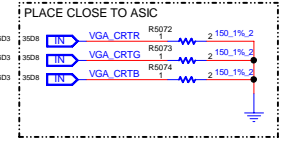
PIN BASE STRAPS																						
GPIO_0	TRANSMITTER POWER SAVING ENABLE	0: 50% TX OUTPUT SWING (DEFAULT) 1: FULL TX OUTPUT SWING																				
GPIO_1	PCIe TRANSMITTER DE-EMPHASIS	0: DE-EMPHASIS DISABLED (DEFAULT) 1: DE-EMPHASIS ENABLED																				
GPIO_2	GEN1/GEN2 ENABLE	0: GEN1 (DEFAULT) 1: GEN2																				
GPIO_8	MUST BE LOW DURING RESET	LEFT UNCONNECTED																				
GPIO_9	VGA DISABLE	0: ENABLE (DEFAULT) 1: DISABLE																				
GPIO_[11:13]	MEMORY APERTURE SIZE	<table border="1"> <thead> <tr> <th>GPIO_13</th> <th>GPIO_12</th> <th>GPIO_11</th> <th>MEMORY APERTURE SIZE</th> </tr> </thead> <tbody> <tr> <td>0</td> <td>0</td> <td>0</td> <td>128M</td> </tr> <tr> <td>0</td> <td>0</td> <td>1</td> <td>256M</td> </tr> <tr> <td>0</td> <td>1</td> <td>0</td> <td>64M</td> </tr> <tr> <td>0</td> <td>1</td> <td>1</td> <td>32M</td> </tr> </tbody> </table>	GPIO_13	GPIO_12	GPIO_11	MEMORY APERTURE SIZE	0	0	0	128M	0	0	1	256M	0	1	0	64M	0	1	1	32M
GPIO_13	GPIO_12	GPIO_11	MEMORY APERTURE SIZE																			
0	0	0	128M																			
0	0	1	256M																			
0	1	0	64M																			
0	1	1	32M																			
GPIO_22	ENABLE EXTERNAL BIOS ROM DEVICE	0: DISABLE (DEFAULT) 1: ENABLE																				
HSYNC[1]	VSYNC[0]	00: NO AUDIO FUNCTION 01: AUDIO FOR DP ONLY 10: AUDIO FOR DP AND HDMI IF DONGLE IS DETECTED 11: AUDIO FOR BOTH DP AND HDMI																				



### THAMES (6019B0917601)



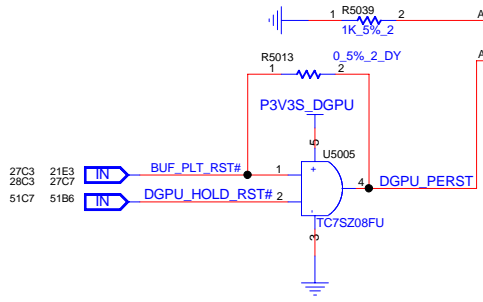
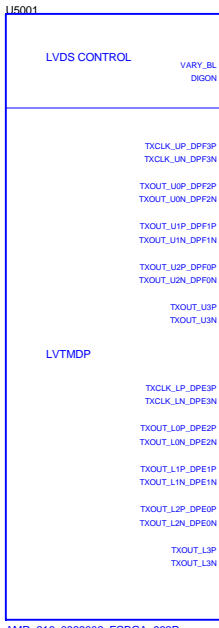
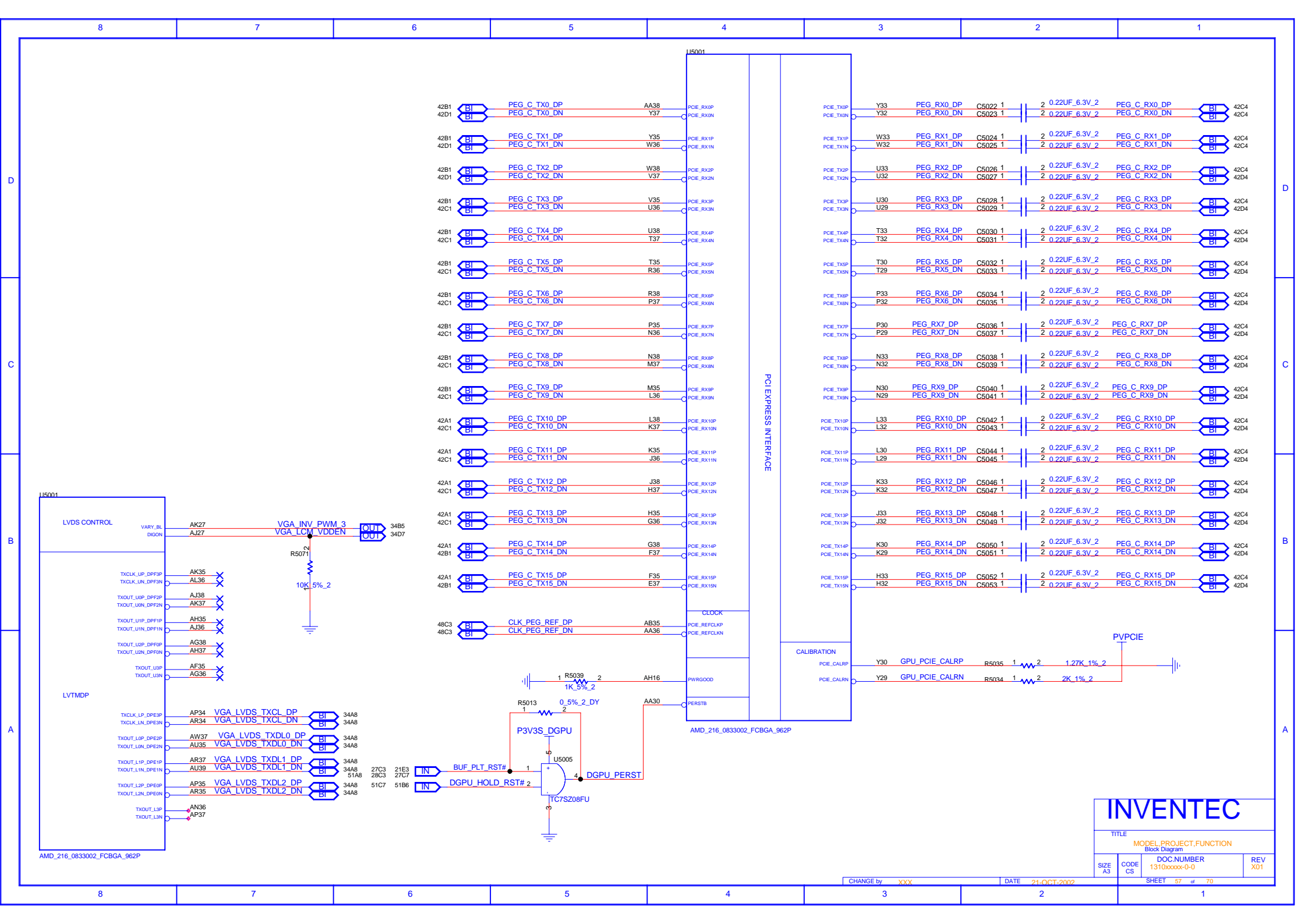
MEM_ID3	MEM_ID2	MEM_ID1	MEM_ID0	
0	0	0	0	HYNX1GDRF84512B
0	0	0	1	HYNX2GBRF841GB
0	0	1	0	HYNX2GBRF841GB
0	1	0	0	RESERVE
0	1	0	1	HYNX1GDRF841GB
0	1	1	0	HYNX2GBRF842GB
0	1	1	1	HYNX2GBRF842GB
0	1	1	1	RESERVE
1	0	0	0	AMDC114.512MB
1	0	0	1	AMDC114.1GB
1	0	1	0	AMDB114.1GB
1	0	1	1	RESERVE
1	1	0	0	AMDC118.1HB
1	1	0	1	AMDC118.2GB
1	1	1	0	AMDB118.2GB
1	1	1	1	RESERVE



## INVENTEC

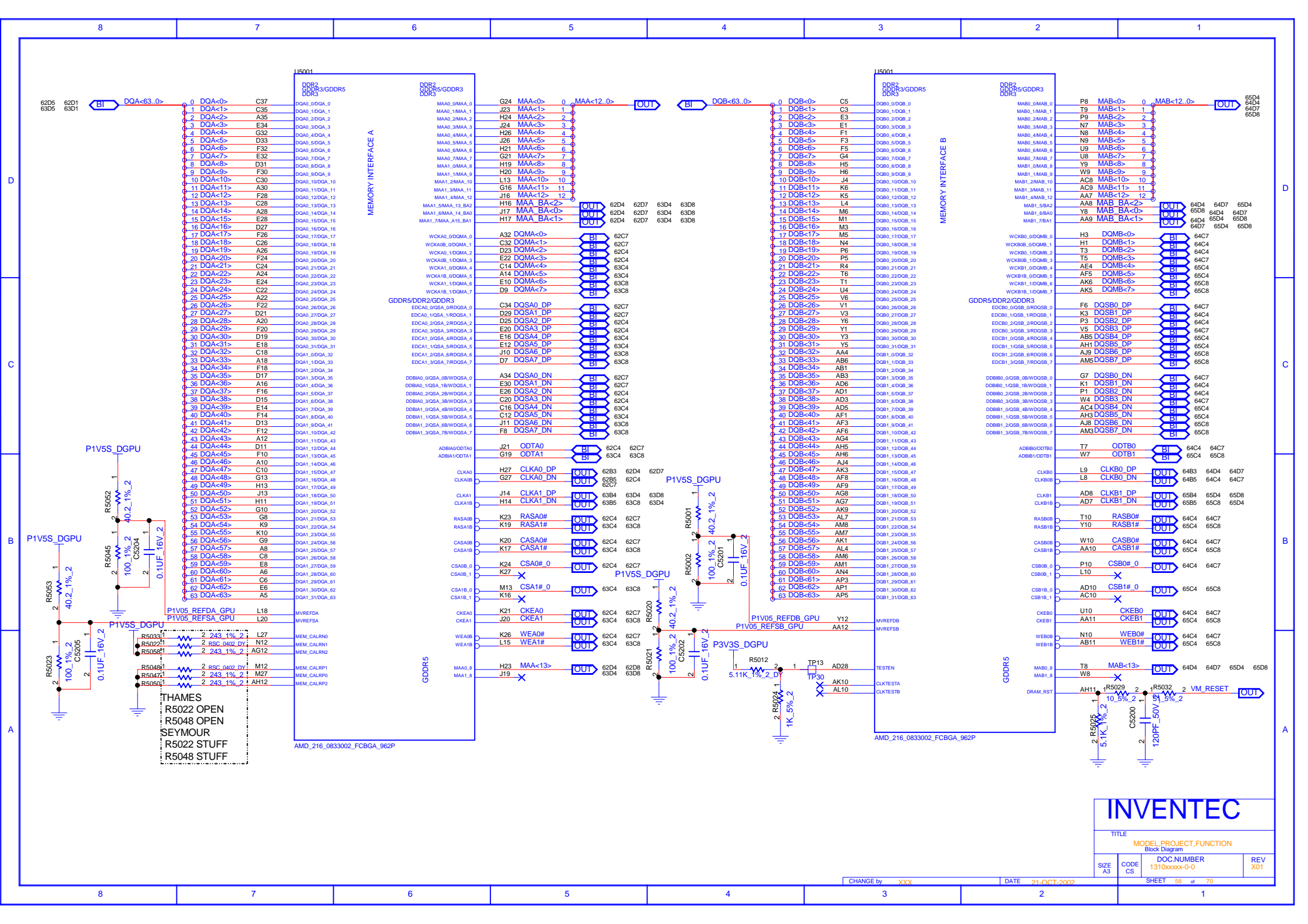
Title			
MODEL PROJECT FUNCTION			
Block Diagram			
SIZE	CODE	DOC NUMBER	REV
C	ES	131000000000	201
SHEET		31 of 31	





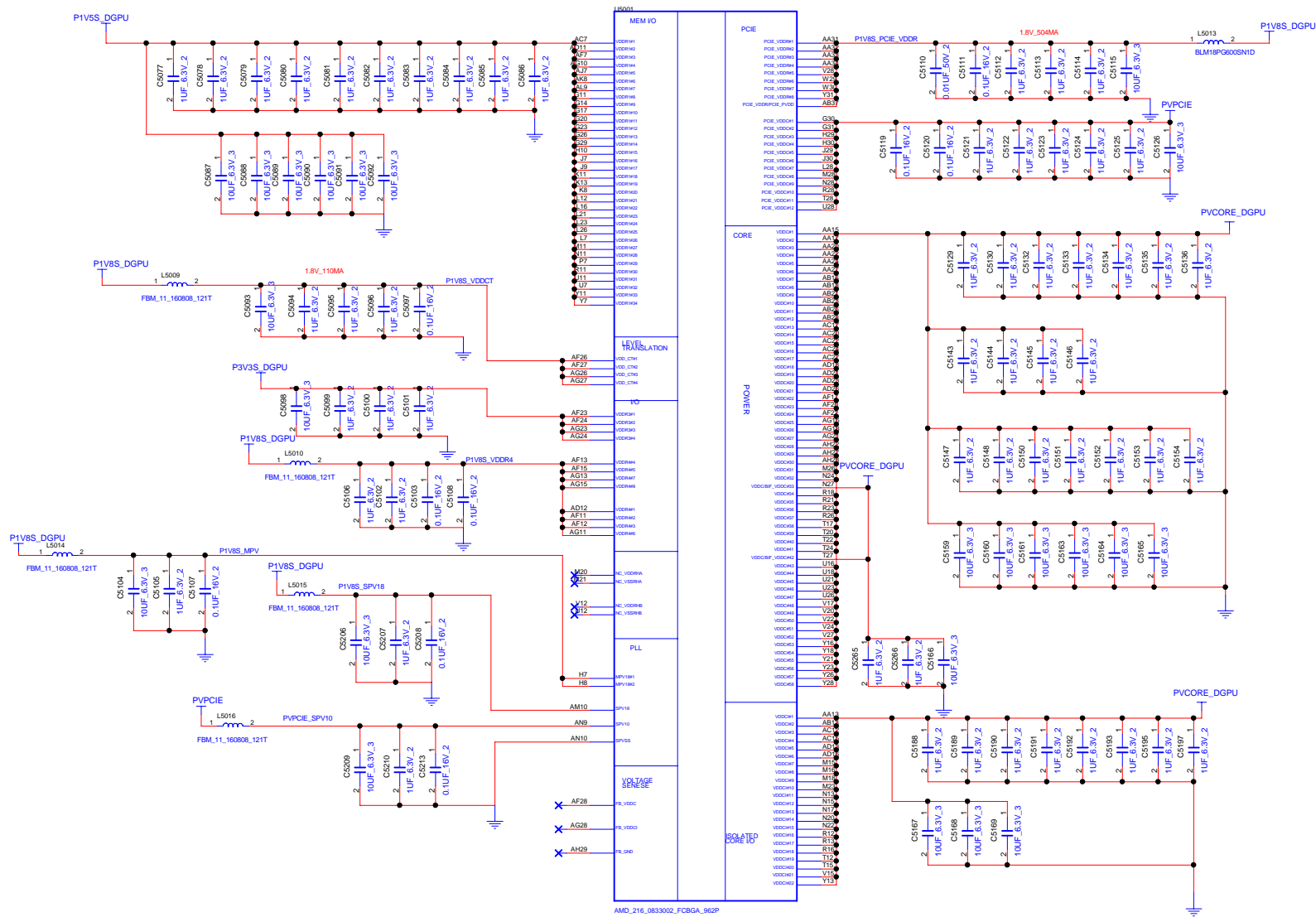
PCI EXPRESS INTERFACE

<b>INVENTEC</b>			
TITLE			
MODEL PROJECT FUNCTION			
Block Diagram			
SIZE	CODE	DOC NUMBER	REV
A3	CS	1310xxxx-0-0	X01
CHANGE by XXX      DATE 21-OCT-2002      SHEET 57 of 70			



THAMES  
 R5022 OPEN  
 R5048 OPEN  
 SEYMOUR  
 R5022 STUFF  
 R5048 STUFF

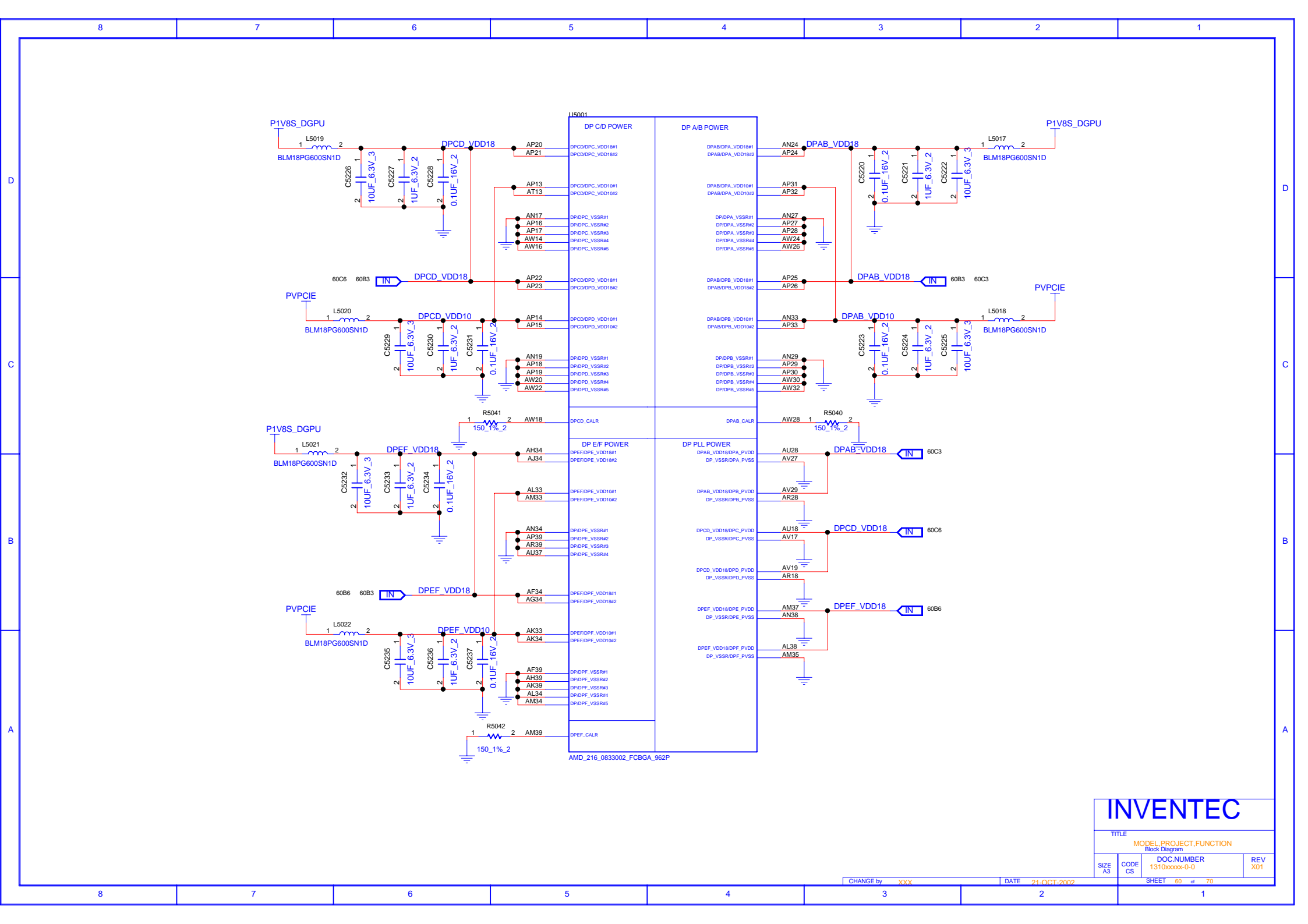
<b>INVENTEC</b>			
TITLE MODEL PROJECT FUNCTION Block Diagram			
SIZE A3	CODE CS	DOC NUMBER 1310xxxx-0-0	REV X01
CHANGE by XXX		DATE 21-OCT-2002	SHEET 58 of 70



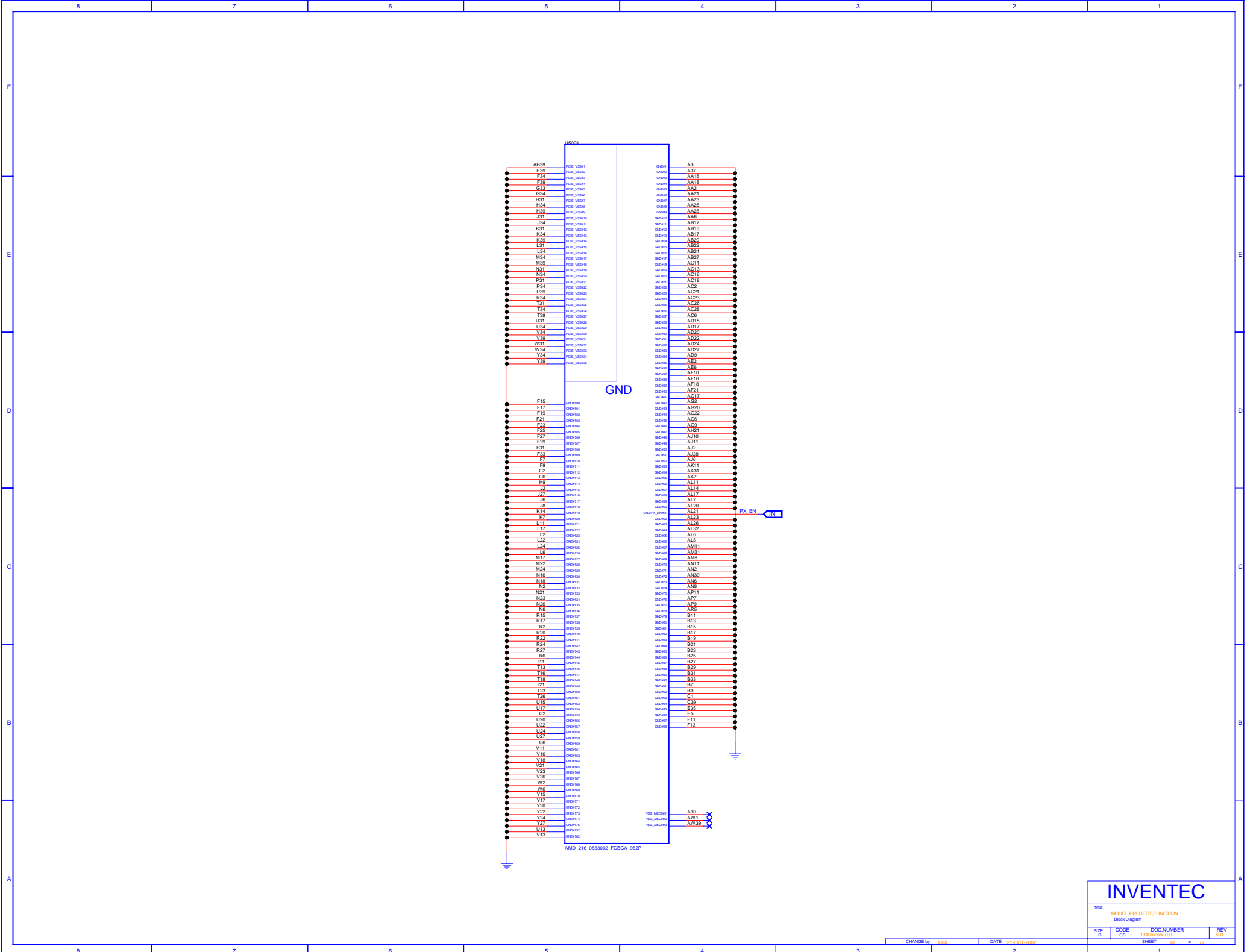
AMD\_216\_0833002\_FCBGA\_96P

<b>INVENTEC</b>			
Title: MODEL_PROJECT_FUNCTION Block Diagram			
SIZE: C	CODE: C3	DOC NUMBER: 131000000000	REV: X01
SHEET: 01		OF: 01	

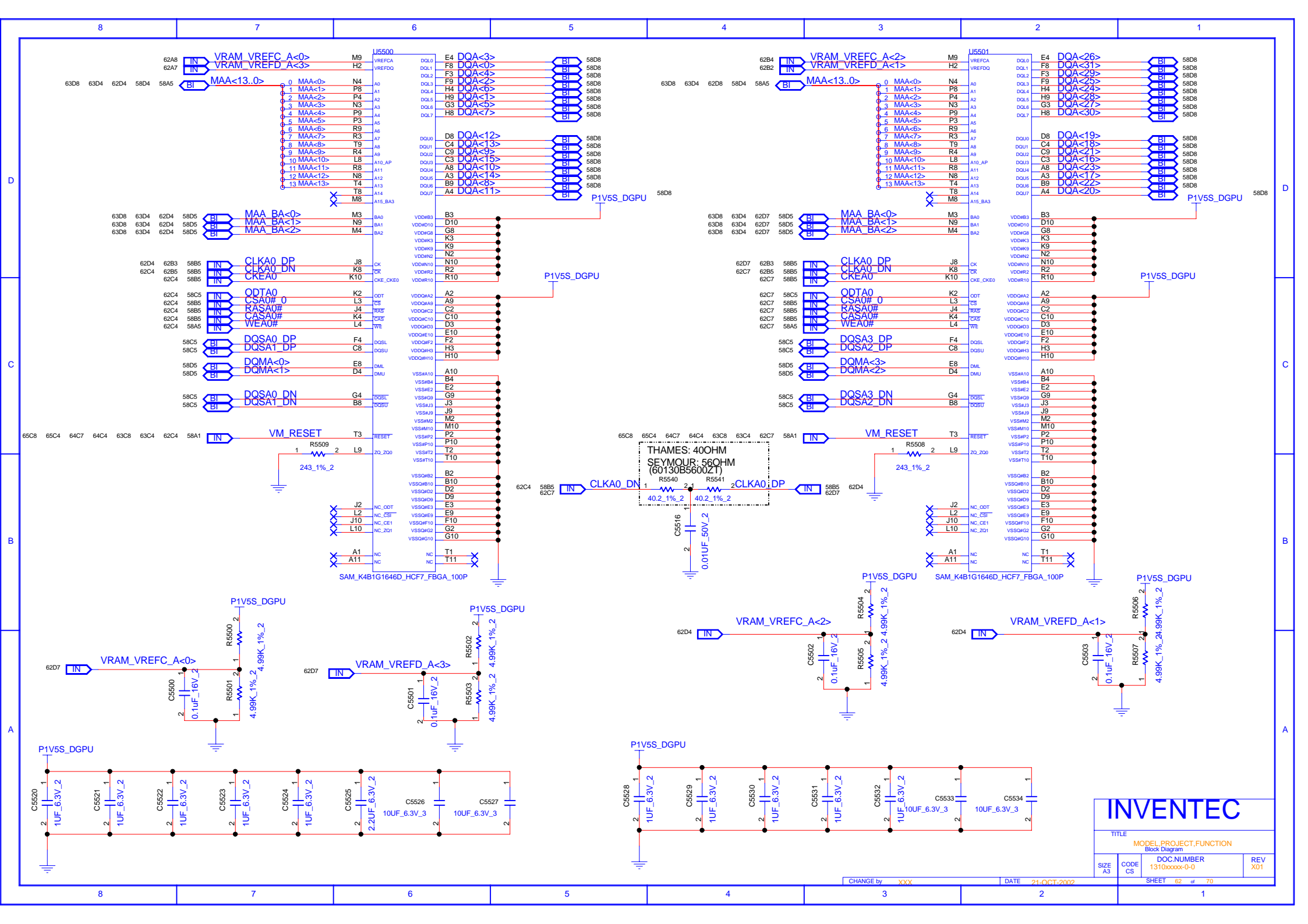
CHANGE BY: WKK DATE: 21-04-2008



<b>INVENTEC</b>			
TITLE			
MODEL PROJECT FUNCTION			
Block Diagram			
SIZE	CODE	DOC NUMBER	REV
A3	CS	1310xxxx-0-0	X01
CHANGE by XXX		DATE 21-OCT-2002	SHEET 60 of 70

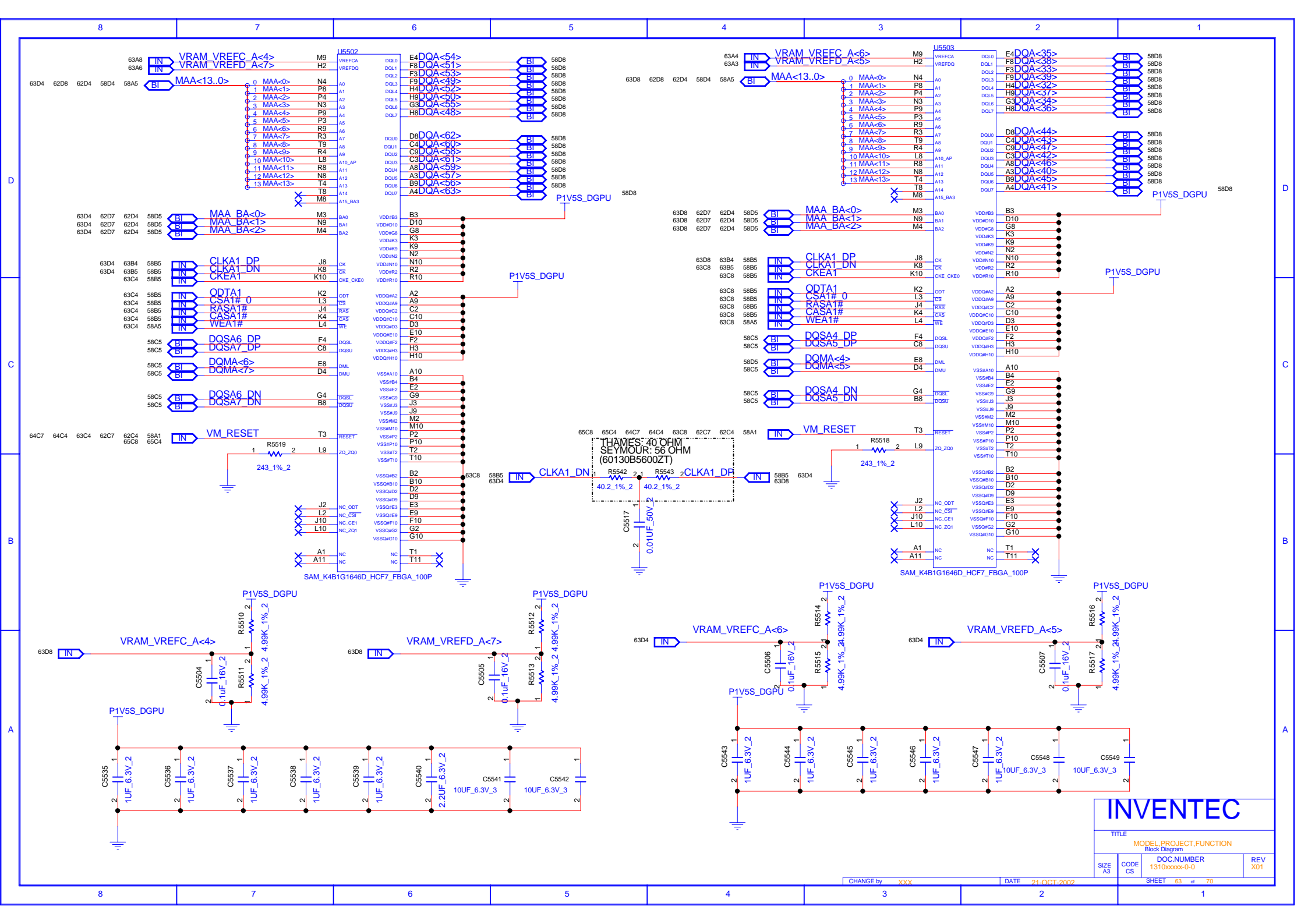


<b>INVENTEC</b>			
Title MODEL_PROJECT_FUNCTION Block Diagram			
SIZE	CODE	DOC NUMBER	REV
C	CB	13100000000	201
SHEET		61	of 70



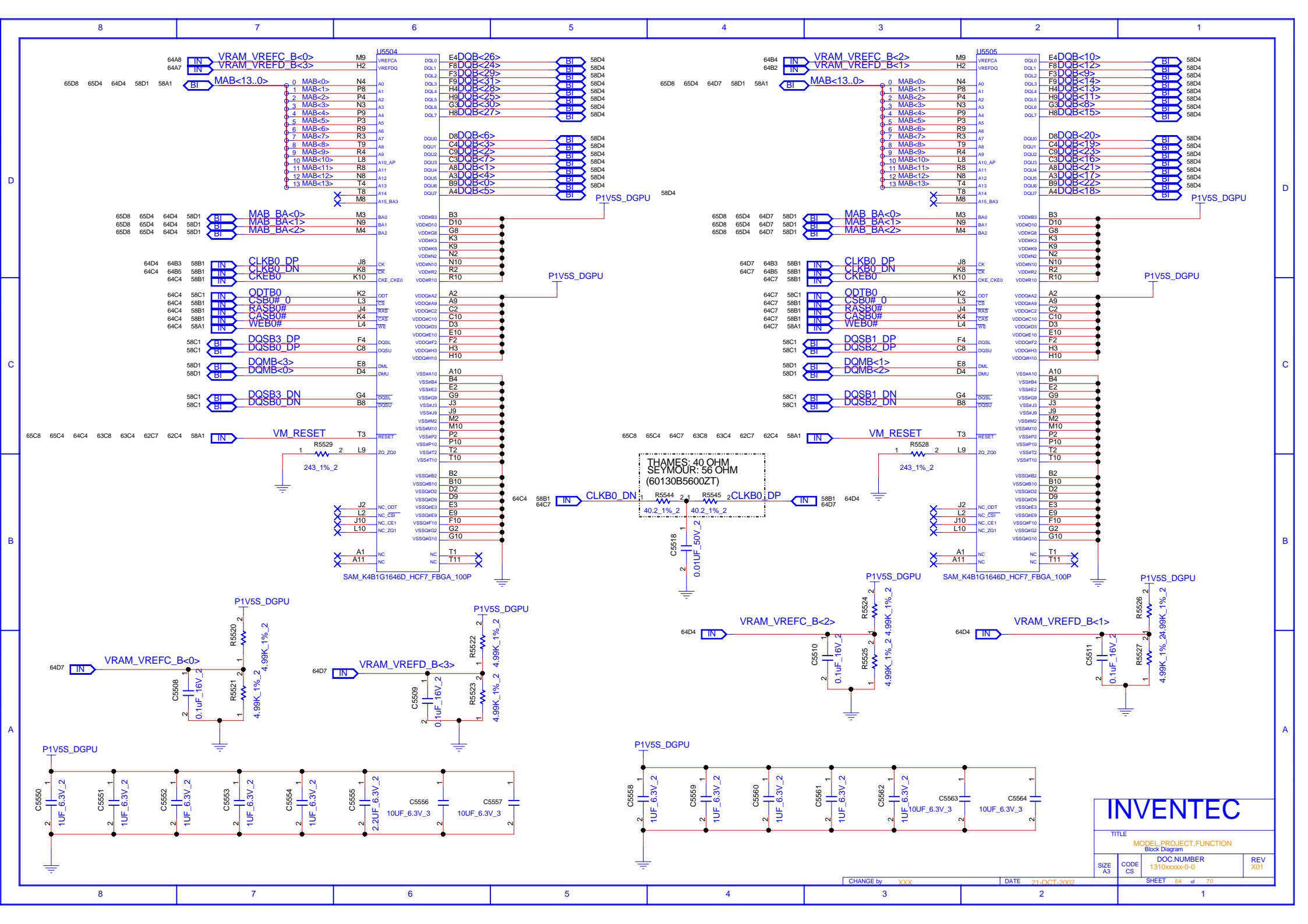
**INVENTEC**

TITLE			
MODEL PROJECT.FUNCTION			
Block Diagram			
SIZE	CODE	DOC NUMBER	REV
A3	CS	1310xxxx-0-0	X01



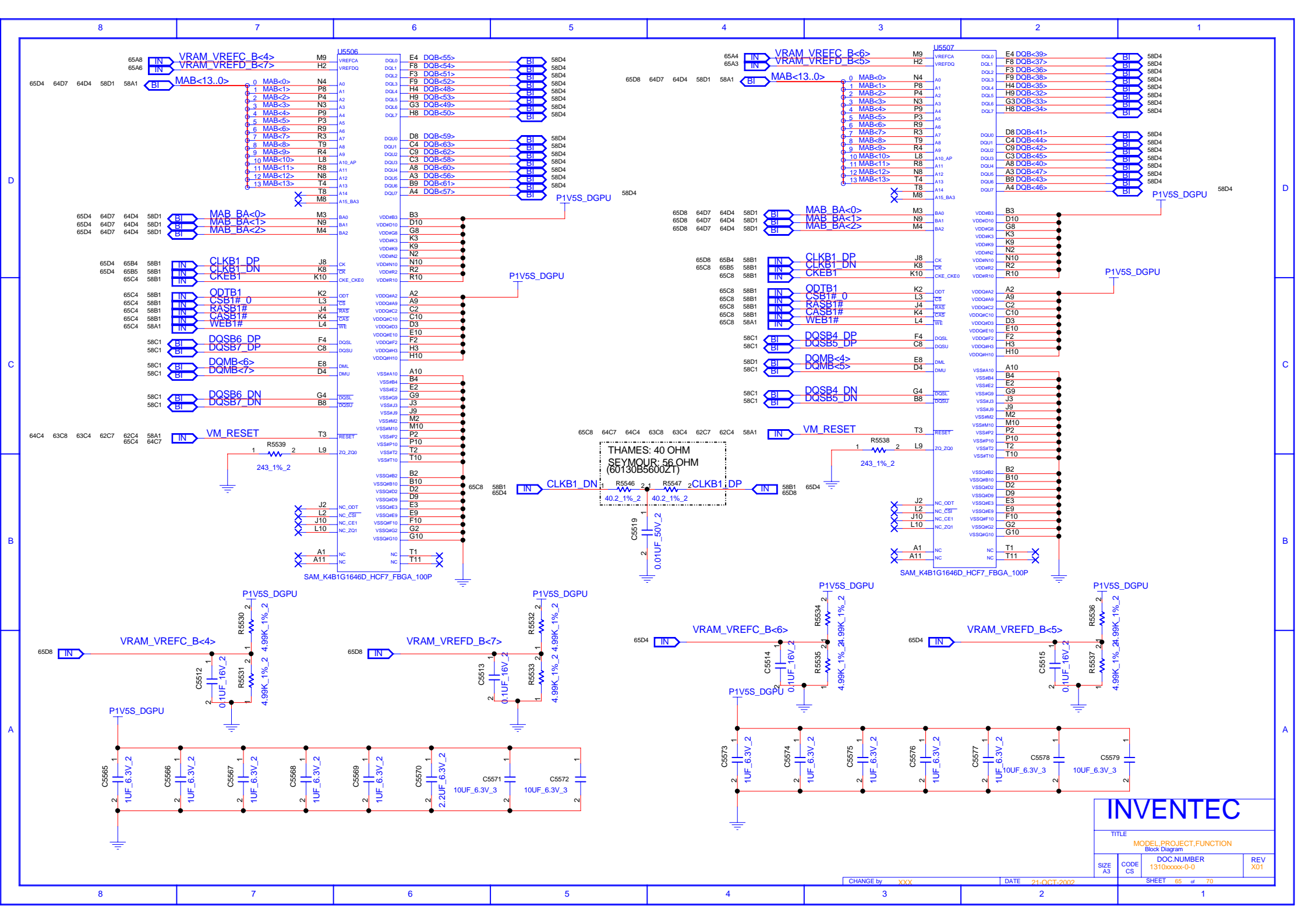
**INVENTEC**

TITLE			
MODEL PROJECT.FUNCTION Block Diagram			
SIZE A3	CODE CS	DOC NUMBER 1310xxxx-0-0	REV X01
CHANGE by XXX		DATE 21-OCT-2002	SHEET 63 of 70



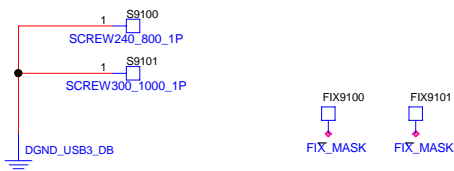
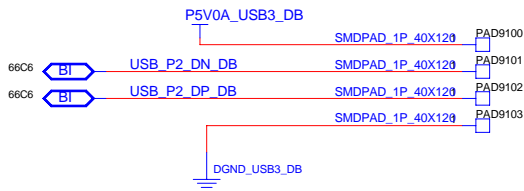
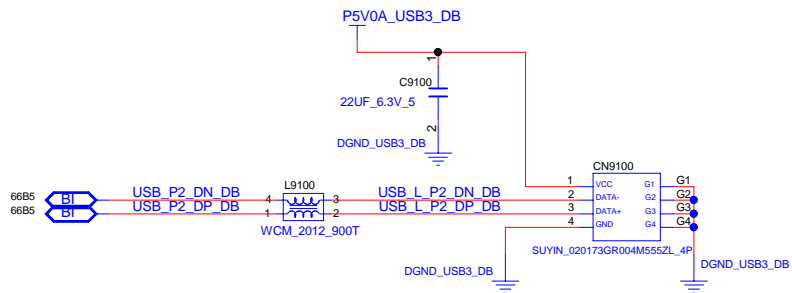
<b>INVENTEC</b>			
TITLE			
MODEL PROJECT FUNCTION			
Block Diagram			
SIZE	CODE	DOC NUMBER	REV
A3	CS	1310xxxx-0-0	X01
CHANGE by XXX			DATE 21-OCT-2002
SHEET 64 of 70			





<b>INVENTEC</b>			
TITLE			
MODEL PROJECT.FUNCTION			
Block Diagram			
SIZE	CODE	DOC NUMBER	REV
A3	CS	1310xxxx-0-0	X01
CHANGE by XXX		DATE 21-OCT-2002	SHEET 65 of 70

# USB BOARD

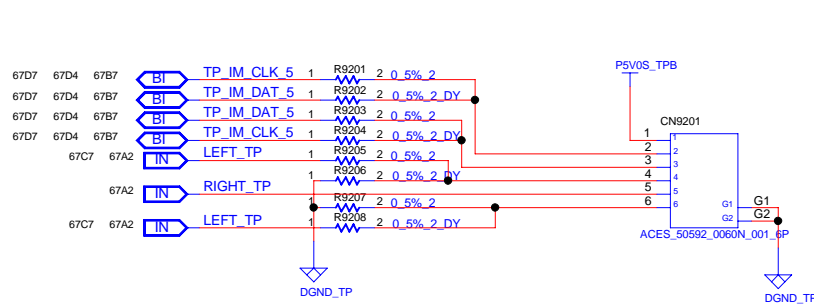


**INVENTEC**

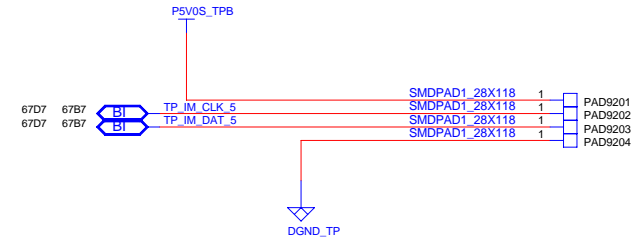
TITLE			
MODEL,PROJECT,FUNCTION			
Block Diagram			
SIZE	CODE	DOC NUMBER	REV
A3	CS	1310xxxxx-0-0	X01

# TOUCH PAD BOARD 4 PIN

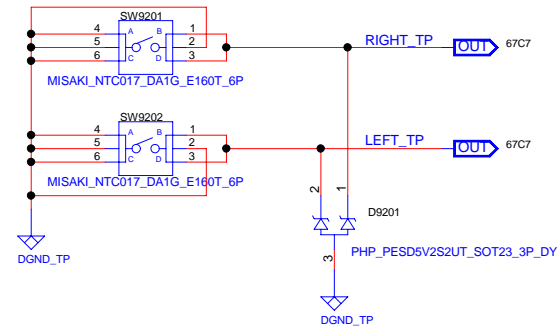
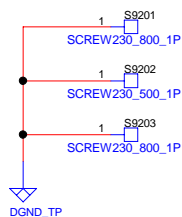
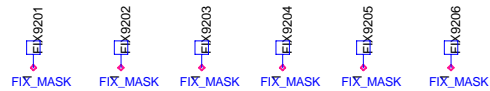
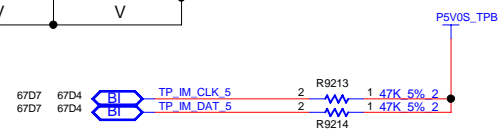
## TOUCHPAD TO MODULE CONN



## TOUCHPAD TO MB CONN



4PIN	IMR/METAL	TEXTURE
R9201		V
R9202	V	
R9203		V
R9204	V	
R9205		V
R9206	V	
R9207		V
R9208	V	
R9213	V	V
R9214	V	V

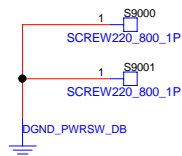
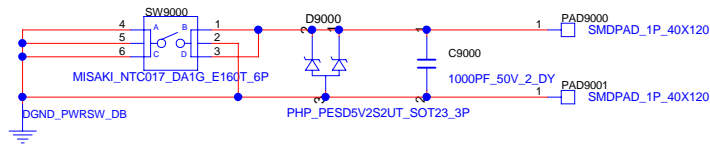


**INVENTEC**

TITLE			
MODEL PROJECT.FUNCTION			
Block Diagram			
SIZE A3	CODE CS	DOC NUMBER 1310xxxx-0-0	REV X01

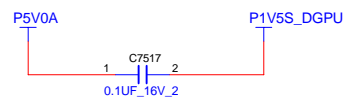
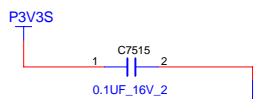
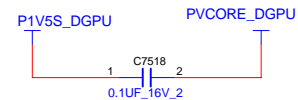
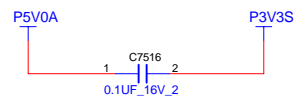
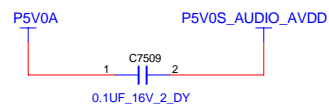
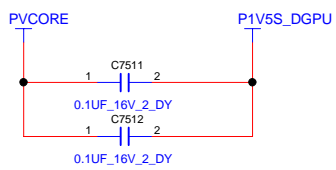
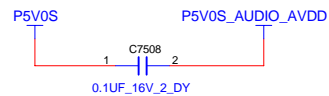
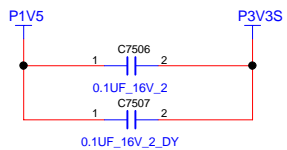
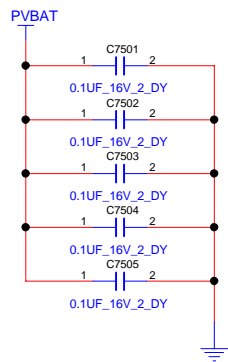
REFERENCE 9000~9999(SMALL BOARD)

# POWER BUTTON



**INVENTEC**

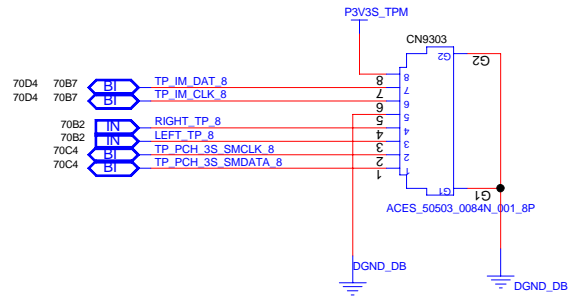
TITLE			
MODEL PROJECT.FUNCTION			
Block Diagram			
SIZE	CODE	DOC NUMBER	REV
A3	CS	1310xxxxx-0-0	X01



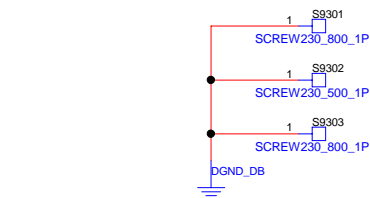
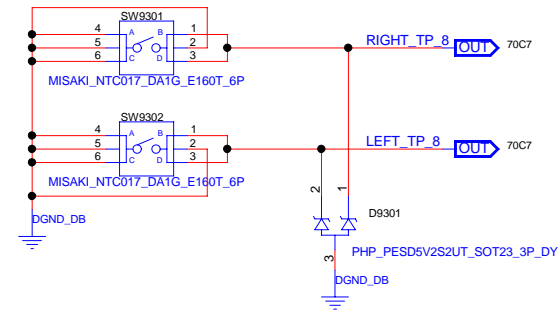
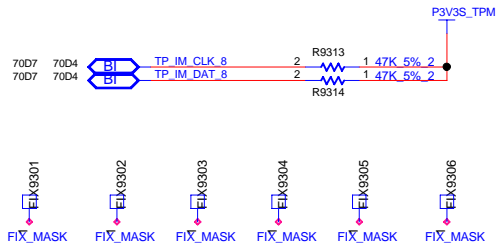
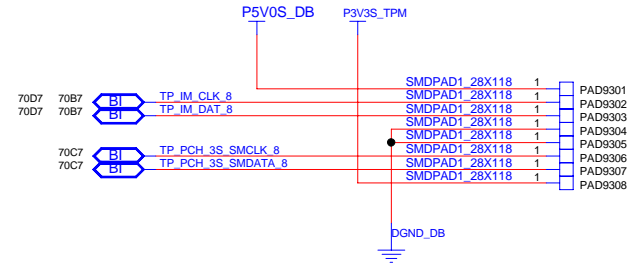
<b>INVENTEC</b>			
TITLE MODEL, PROJECT, FUNCTION Block Diagram			
SIZE A3	CODE CS	DOC NUMBER 1310xxxx-0-0	REV X01
CHANGE by XXX		DATE 21-OCT-2002	SHEET 69 of 70

# TOUCH PAD BOARD 8 PIN

## TOUCHPAD TO MODULE CONN



## TOUCHPAD TO MB CONN



**INVENTEC**

TITLE			
MODEL PROJECT FUNCTION Block Diagram			
SIZE A3	CODE CS	DOC NUMBER 1310xxxx-0-0	REV X01