

# DIAMuunpubis

**MV B- BUILD FINAL**  
**2008/08/21**

Engineer <i>David Du</i>	<b>INVENTEC</b>
Drawn by <i>David Du</i>	
R&D CHK	
DOC CTRL CHK	
MFG ENGR CHK	
TITLE	<b>DIAMOND</b>
Size	<b>A3</b>

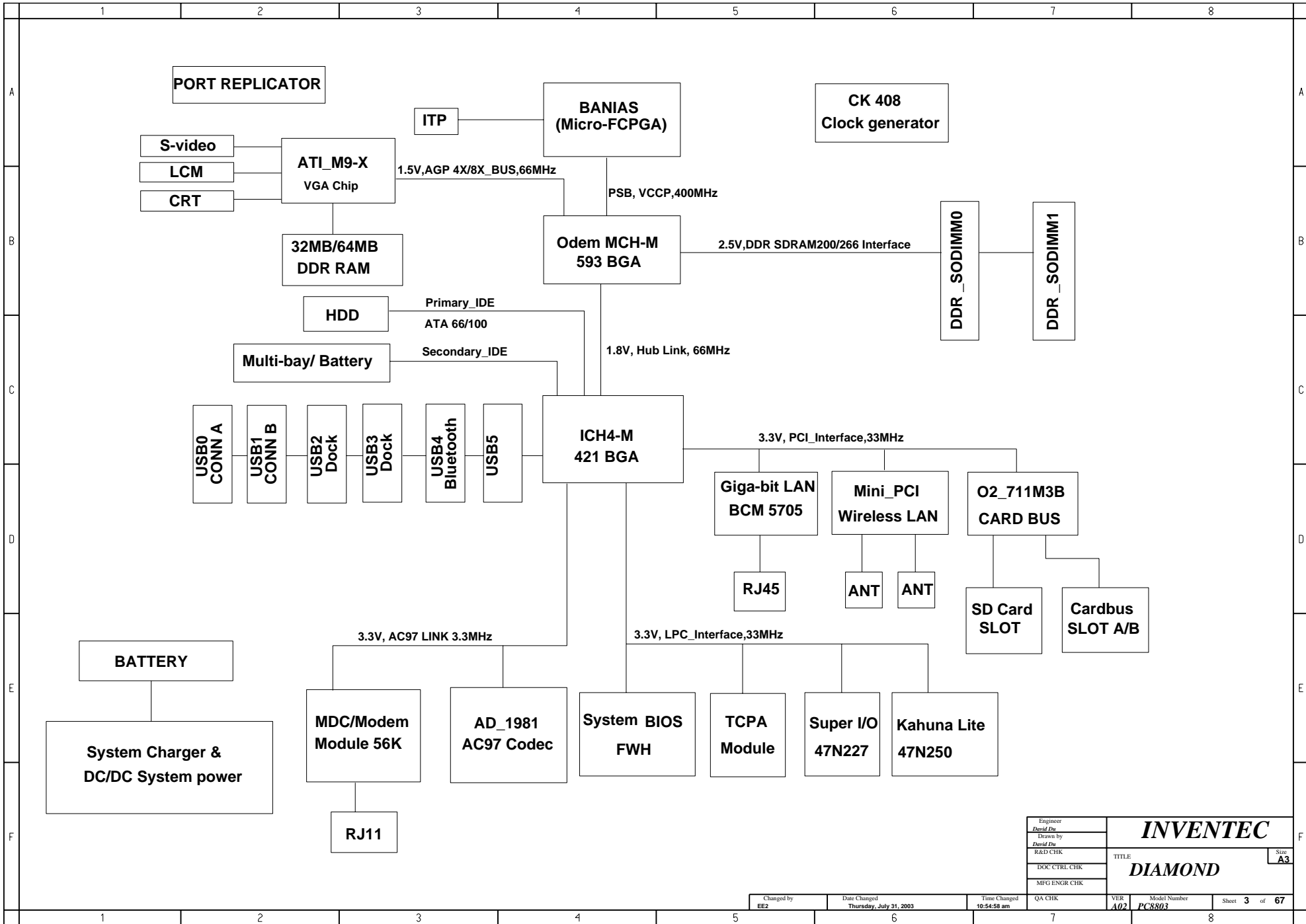
Changed by <b>EE2</b>	Date Changed <b>Thursday, August 21, 2003</b>	Time Changed <b>11:19:38 am</b>	QA CHK	VER <b>A02</b>	Model Number <b>PC8803</b>	Sheet <b>1</b> of <b>67</b>
--------------------------	--------------------------------------------------	------------------------------------	--------	-------------------	-------------------------------	-----------------------------

**TABLE OF CONTENTS**

PAGE	PAGE	PAGE
5- DC& BATTERY CHANGER	27- DDR-SDRAM-3	48- HDD CONN
6- SELECT & BATTERY CONN	28- DDR-SDRAM-4	49- MULTIBAY CONN
7- SYSTEM POWER(3V/5V/12V)	29- ATI-M10-P-1	50- USB&IR CONN
8- DAUGHTER SYSTEM POWER(1.5V/1.8V)	30- ATI-M10-P-2	51- CARDBUS CONTROLL
9- SYSTEM POWER(VCCP/1.2V)	31- ATI-M10-P-3	52- PC CARD SLOT
10- DAUGHTER SYSTEM POWER(2.5V/VGAVCC)	32- ATI-M10-P-4	53- SD CARD CONN
11- CPU POWER(VCC_CORE)	33- VIDEO RAM DEPEND	54- MINIPCI CONN
12- DDR_TERMINATION	34- VIDEO RAM-2	55- LAN INTERFACE-1
13- POWER(SLEEP)	35- CRT& SVEDIO CONN	56- LAN INTERFACE-2
14- POWER(SEQUENCE)	36- LCD CONN	57- DOCKING CONN
15- CLOCK_GENEATOR	37- ICH4-1	58- BLUETOOTH
16- BANIAS-1	38- ICH4-2	59- BOARD TO BOARD CONN & LID SWITCH
17- BANIAS-2	39- ICH4-3	60- DAUGHTER FHW
18- BANIAS-3	40- KBC	61- DAUGHTER MDC CONN
19- BANIAS-4	41- INT.KBC/POINT DEVICES	62- DAUGHTER TCPA CONN
20- THERMAL&FAN CONTROLLER	42- SUPER I/O	63- DAUGHTER CONN & SWITCH LED
21- ODEM-1	43- SERIAL PORT	64- DAUGHTER LED & VOL BUTTON
22- ODEM-2	44- PARALLER PORT	
23- ODEM-3	45- AC97 CODEC	
24- ODEM-4	46- EQ&MIC JACK	
25- DDR-SDRAM-1	47- AUDIO AMP&HP JACK	
26- DDR-SDRAM-2		

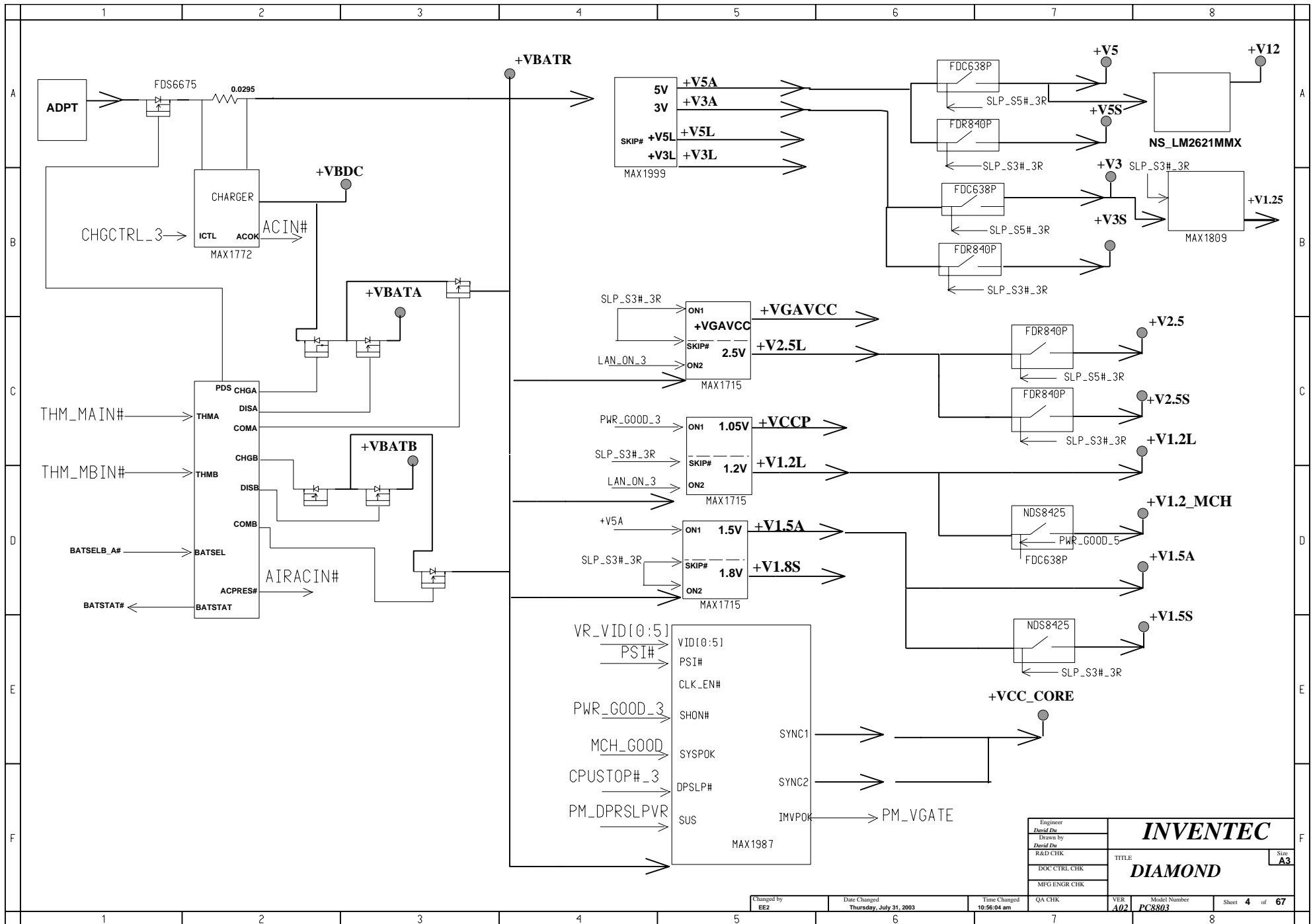
<small>Engineer</small> David Du	<b>INVENTEC</b>
<small>Drawn by</small> David Du	
<small>Rev'd CHK</small>	
<small>DOC CTRL CHK</small>	
<small>MFG ENGR CHK</small>	
<small>TITLE</small> <b>DIAMOND</b>	<small>Size</small> <b>A3</b>

<small>Changed by</small> EE2	<small>Date Changed</small> Thursday, July 31, 2003	<small>Time Changed</small> 10:53:56 am	<small>QA CHK</small>	<small>VER</small> A02	<small>Model Number</small> PC8803	<small>Sheet</small> 2 <small>of</small> 67
----------------------------------	--------------------------------------------------------	--------------------------------------------	-----------------------	---------------------------	---------------------------------------	---------------------------------------------



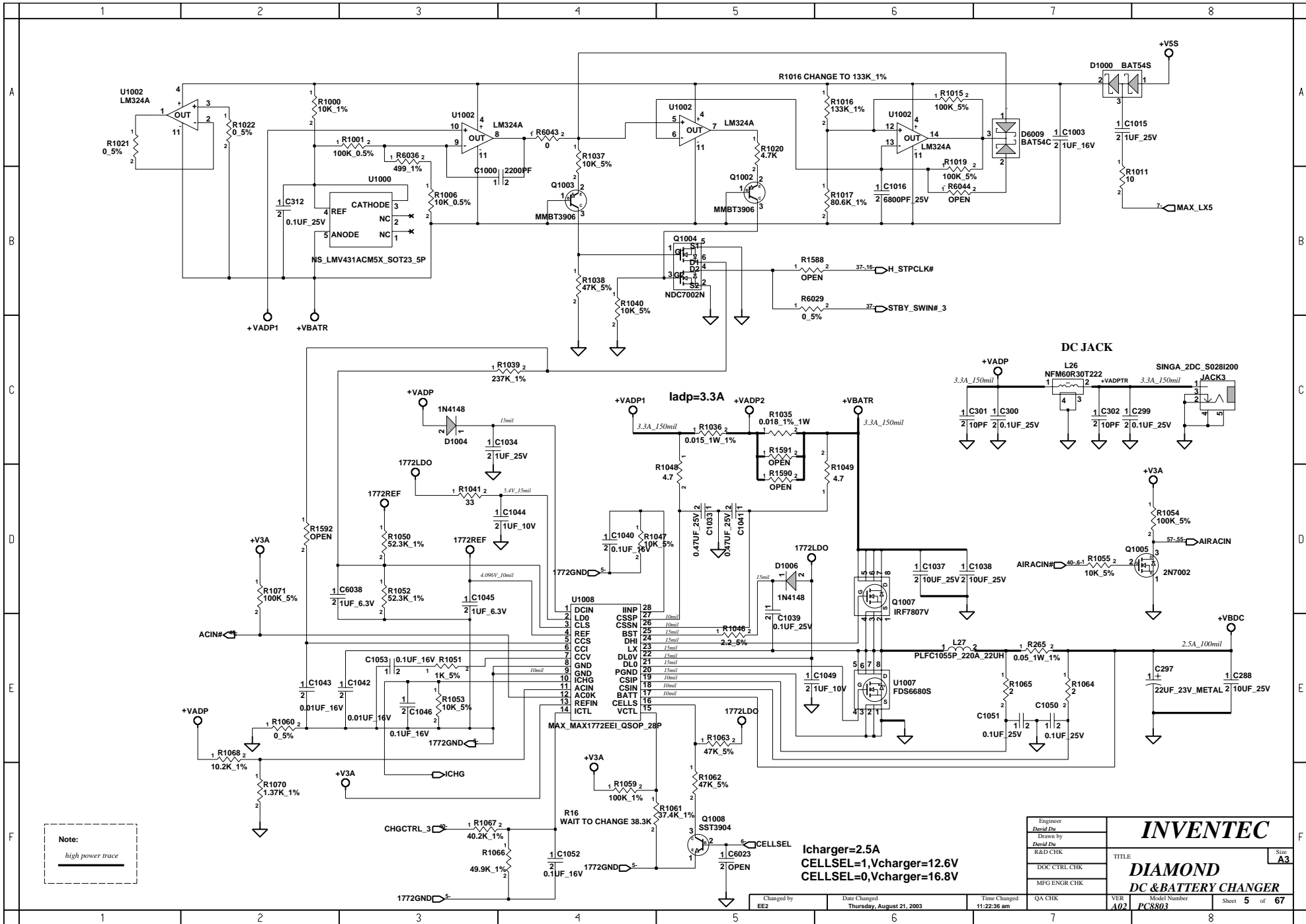
Engineer <i>David Du</i>	<b>INVENTEC</b> TITLE: <b>DIAMOND</b>	Size A3
Drawn by <i>David Du</i>		
Rev'd CHK		
DOC CTRL CHK		
MFG ENGR CHK		

Changed by EE2	Date Changed Thursday, July 31, 2003	Time Changed 10:54:58 am	QA CHK	VER A02	Model Number PC8803	Sheet 3 of 67
-------------------	-----------------------------------------	-----------------------------	--------	------------	------------------------	---------------



Engineer <i>David Du</i>	<b>INVENTEC</b> TITLE: <b>DIAMOND</b> Size <b>A3</b>
Drawn by <i>David Du</i>	
R&D CHK	
DOC CTRL CHK	
MFG ENGR CHK	

Changed by EE2	Date Changed Thursday, July 31, 2003	Time Changed 10:56:04 am	QA CHK	VER A02	Model Number PC8803	Sheet 4 of 67
-------------------	-----------------------------------------	-----------------------------	--------	------------	------------------------	---------------

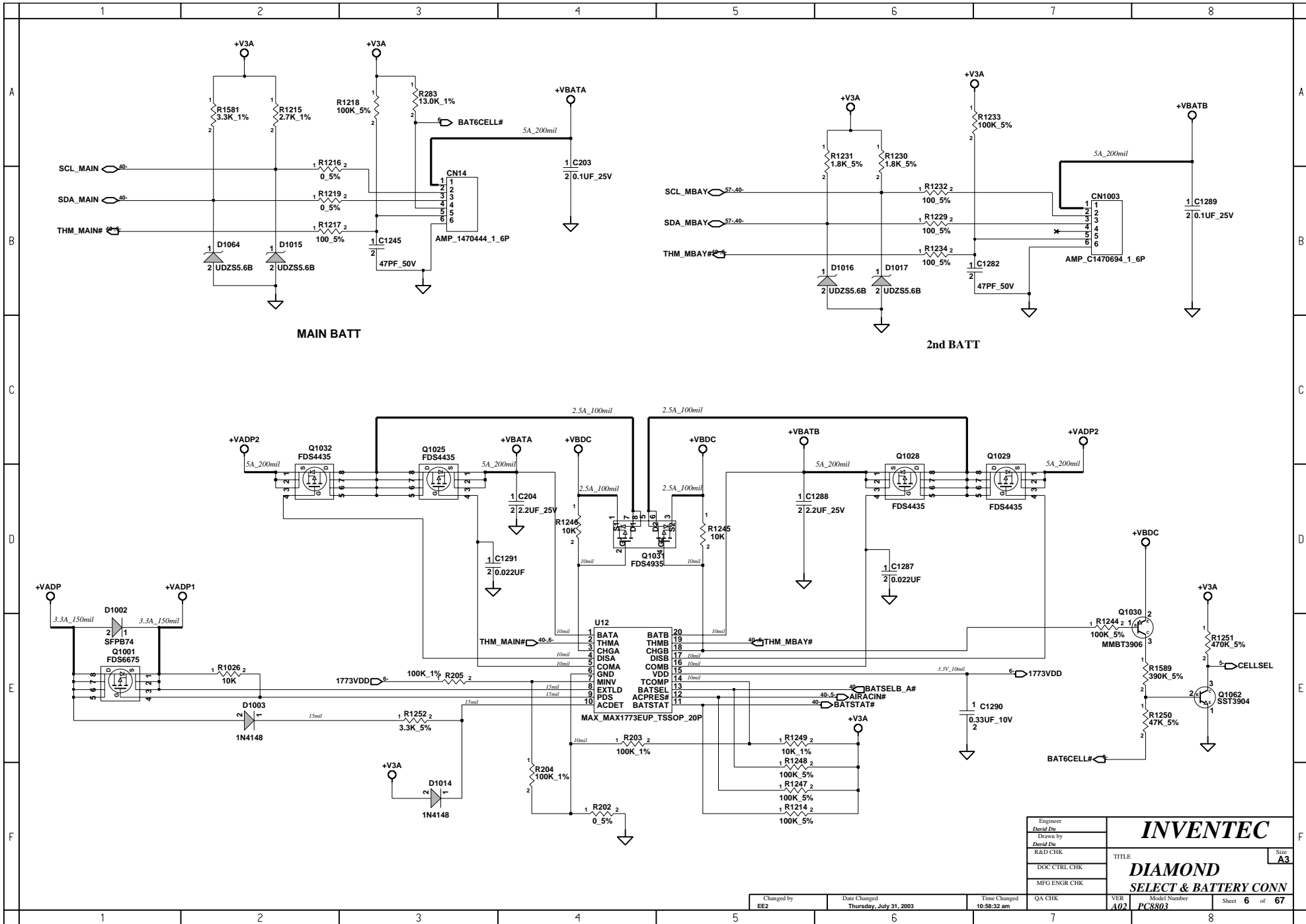


Note:  
high power trace

Icharger=2.5A  
CELLSEL=1, Vcharger=12.6V  
CELLSEL=0, Vcharger=16.8V

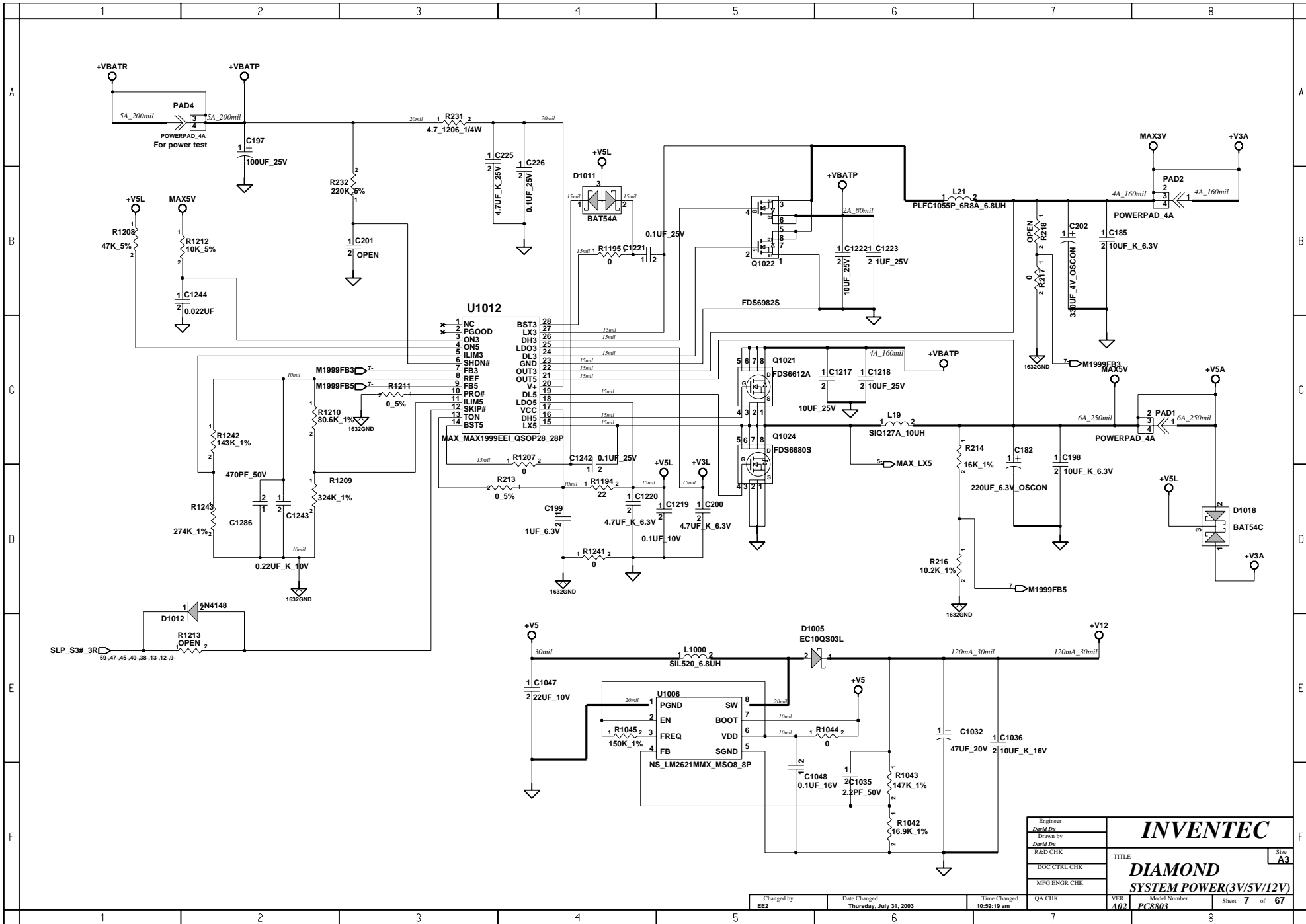
Engineer David Du	<b>INVENTEC</b> TITLE: <b>DIAMOND</b> <b>DC &amp; BATTERY CHARGER</b>	Model Number PC8803	Sheet 5 of 67
Drawn by David Du		VER A02	
R&D CHK			
DOC CTRL CHK			
MFG ENGR CHK			

Changed by EE2	Date Changed Thursday, August 21, 2003	Time Changed 11:22:36 am	QA CHK
-------------------	-------------------------------------------	-----------------------------	--------

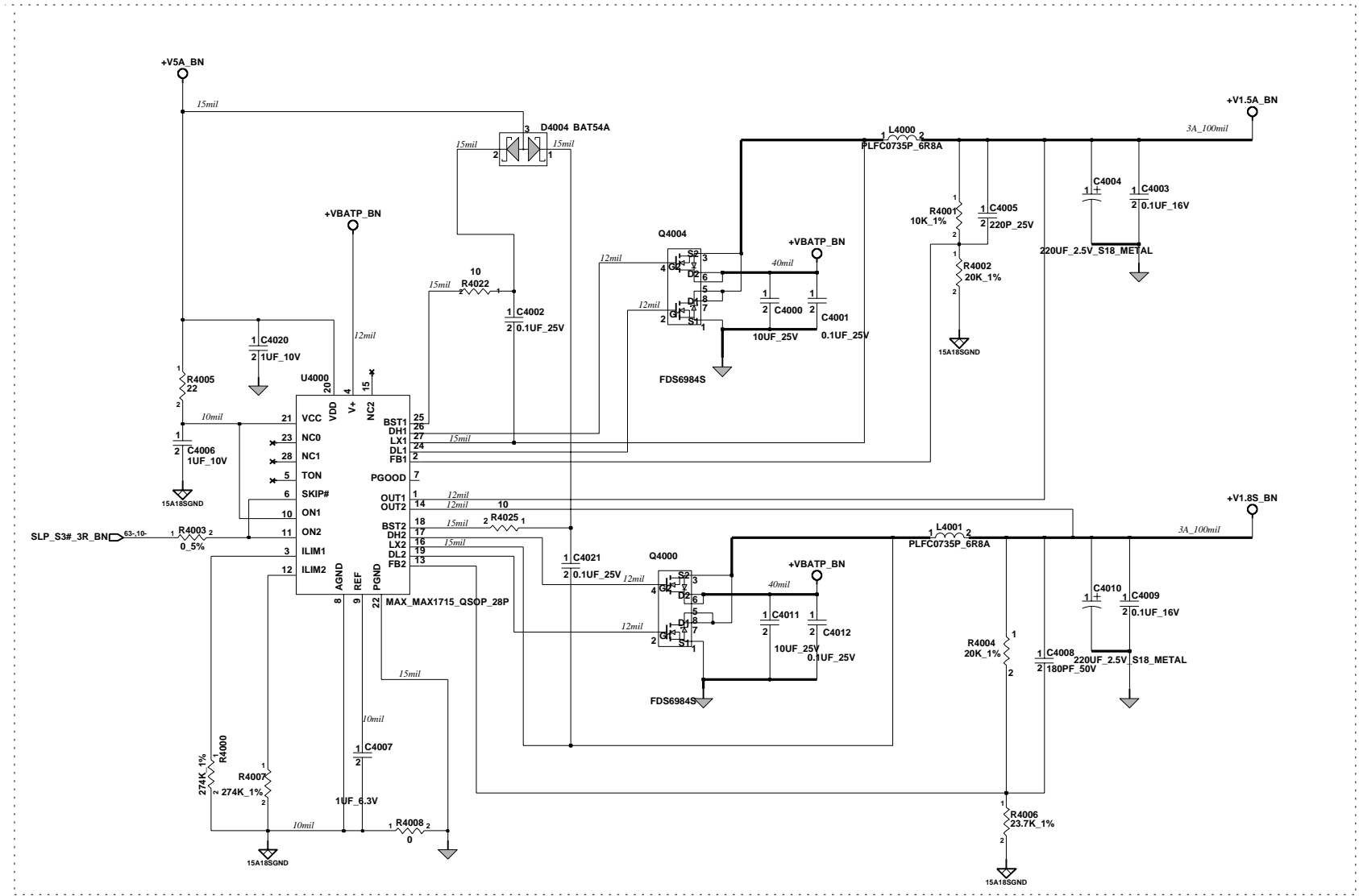


Engineer David Du	<b>INVENTEC</b> TITLE: <b>DIAMOND</b> <b>SELECT &amp; BATTERY CONN</b>	Size A3
Drawn by David Du		
R&D CHK		
DOC CTRL CHK		
MFG ENGR CHK		

Changed by EE2	Date Changed Thursday, July 31, 2003	Time Changed 10:58:32 am	QA CHK	VER A02	Model Number PC8803	Sheet 6 of 67
-------------------	-----------------------------------------	-----------------------------	--------	------------	------------------------	------------------



Engineer David Du	<b>INVENTEC</b> TITLE: <b>DIAMOND</b> <b>SYSTEM POWER(3V/5V/12V)</b>	Size A3				
Drawn by David Du						
R&D CHK						
DOC CTRL CHK						
MFG ENGR CHK						
Changed by EE2	Date Changed Thursday, July 31, 2003	Time Changed 10:59:19 am	QA CHK	VER A02	Model Number PC8803	Sheet 7 of 67

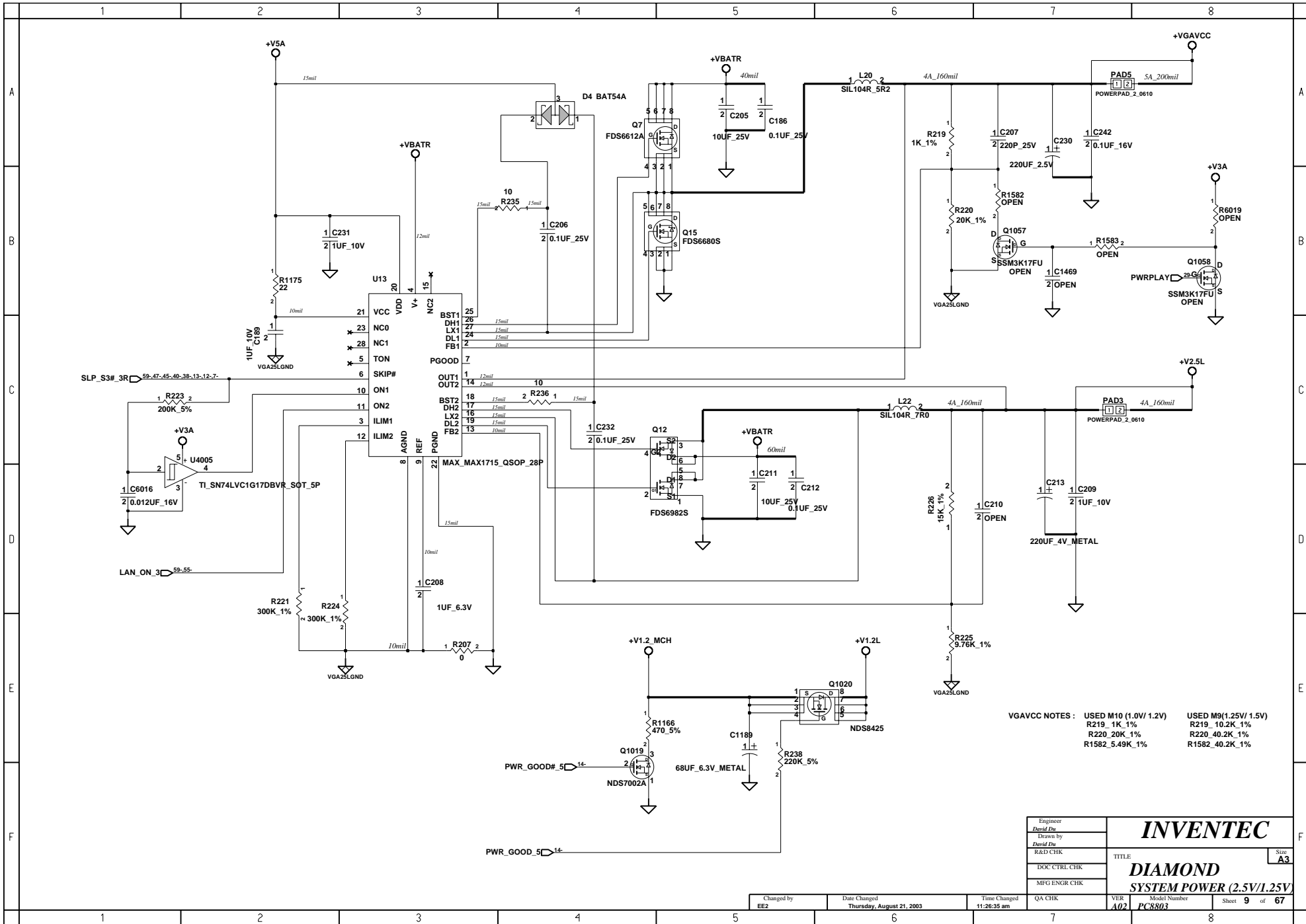


# SYSTEM POWER (1.5&1.8) ON BUTTON DAUGHTER BOARD

Engineer David Du	<b>INVENTEC</b> TITLE: <b>DIAMOND</b> <b>SYSTEM POWER(1.5V/1.8V)</b>	Size A3
Drawn by David Du		
R&D CHK		
DOC CTRL CHK		
MFG ENGR CHK		

Changed by EE2	Date Changed Thursday, July 31, 2003	Time Changed 10:59:26 am	QA CHK	VER A02	Model Number PC8803	Sheet 8 of 67
-------------------	-----------------------------------------	-----------------------------	--------	------------	------------------------	---------------

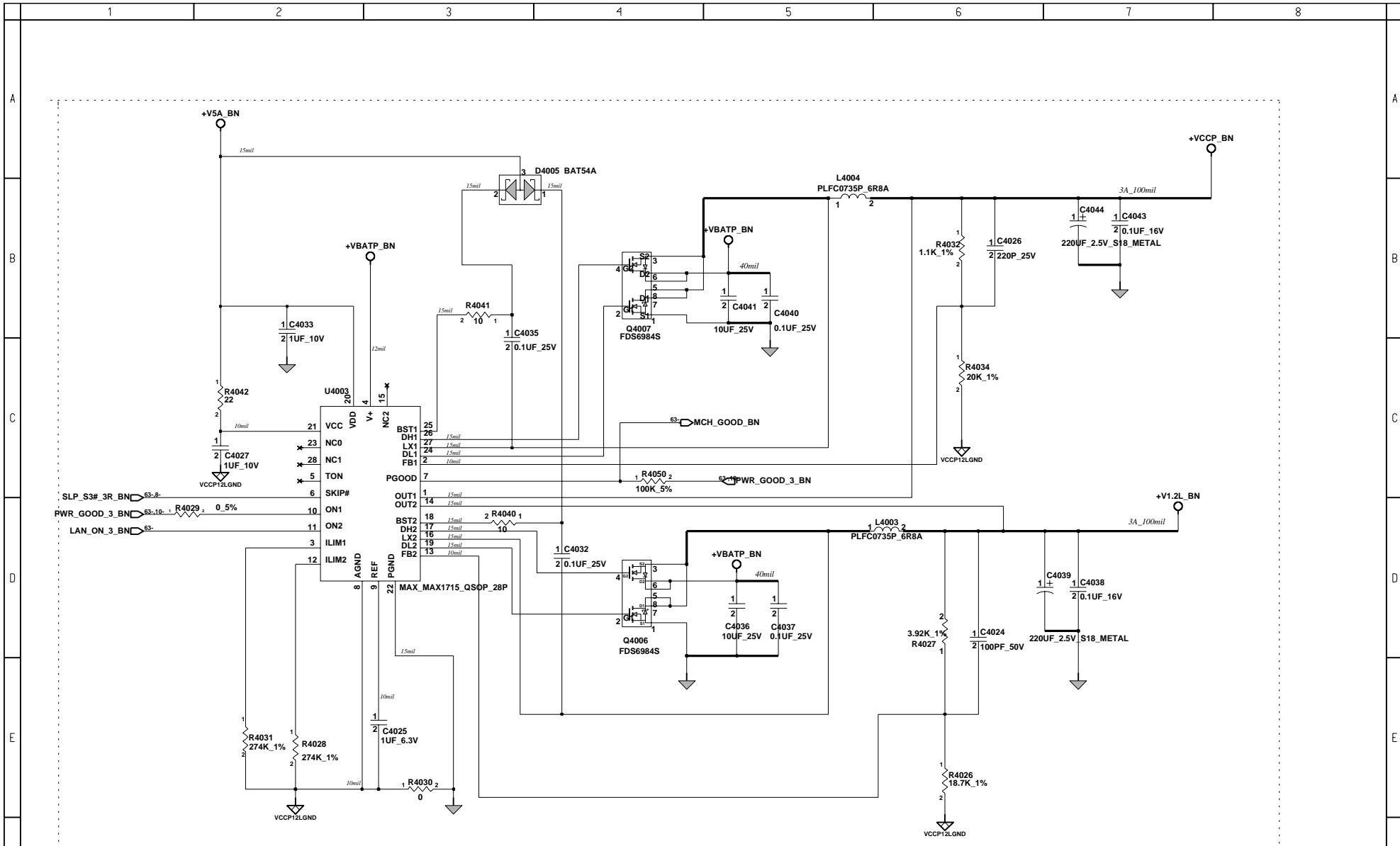




VAVCC NOTES : USED M10 (1.0V/1.2V)    USED M9(1.25V/1.5V)  
 R219\_1K\_1%    R219\_10.2K\_1%  
 R220\_20K\_1%    R220\_40.2K\_1%  
 R1582\_5.49K\_1%    R1582\_40.2K\_1%

Engineer David Du	<b>INVENTEC</b>  <b>DIAMOND</b> <b>SYSTEM POWER (2.5V/1.25V)</b>	Size A3
Drawn by David Du		
R&D CHK		
DOC CTRL CHK		
MFG ENGR CHK		

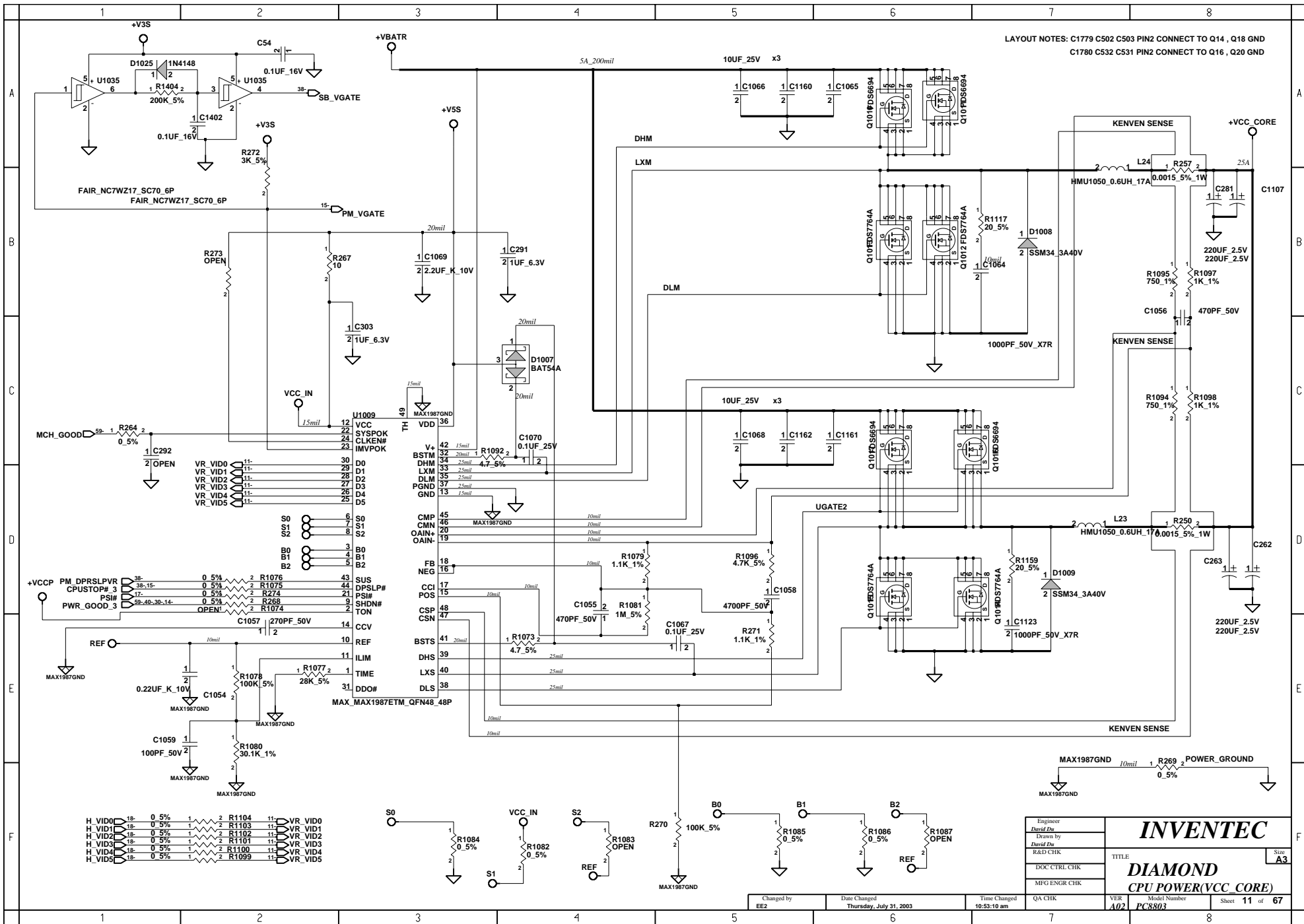
Changed by EE2	Date Changed Thursday, August 21, 2003	Time Changed 11:26:35 am	QA CHK	VER A02	Model Number PC8803	Sheet 9	of 67
-------------------	-------------------------------------------	-----------------------------	--------	------------	------------------------	------------	----------

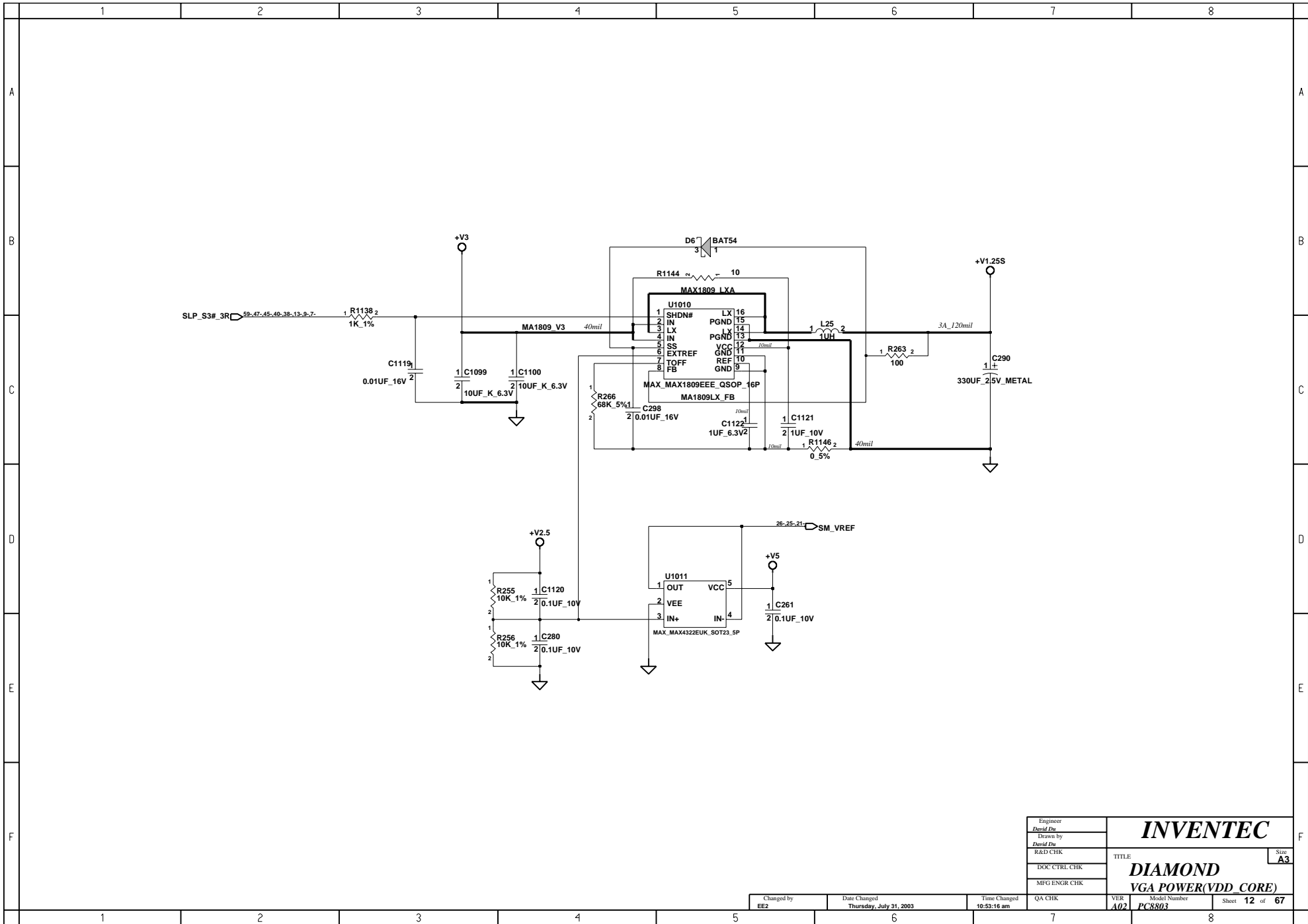


# SYSTEM POWER (VCCP&1.2) ON BUTTON DAUGHTER BOARD

Engineer David Du	<b>INVENTEC</b> TITLE: <b>DIAMOND</b> <b>SYSTEM POWER (VCCP/1.2V)</b>	Size A3
Drawn by David Du		
R&D CHK		
DOC CTRL CHK		
MFG ENGR CHK		

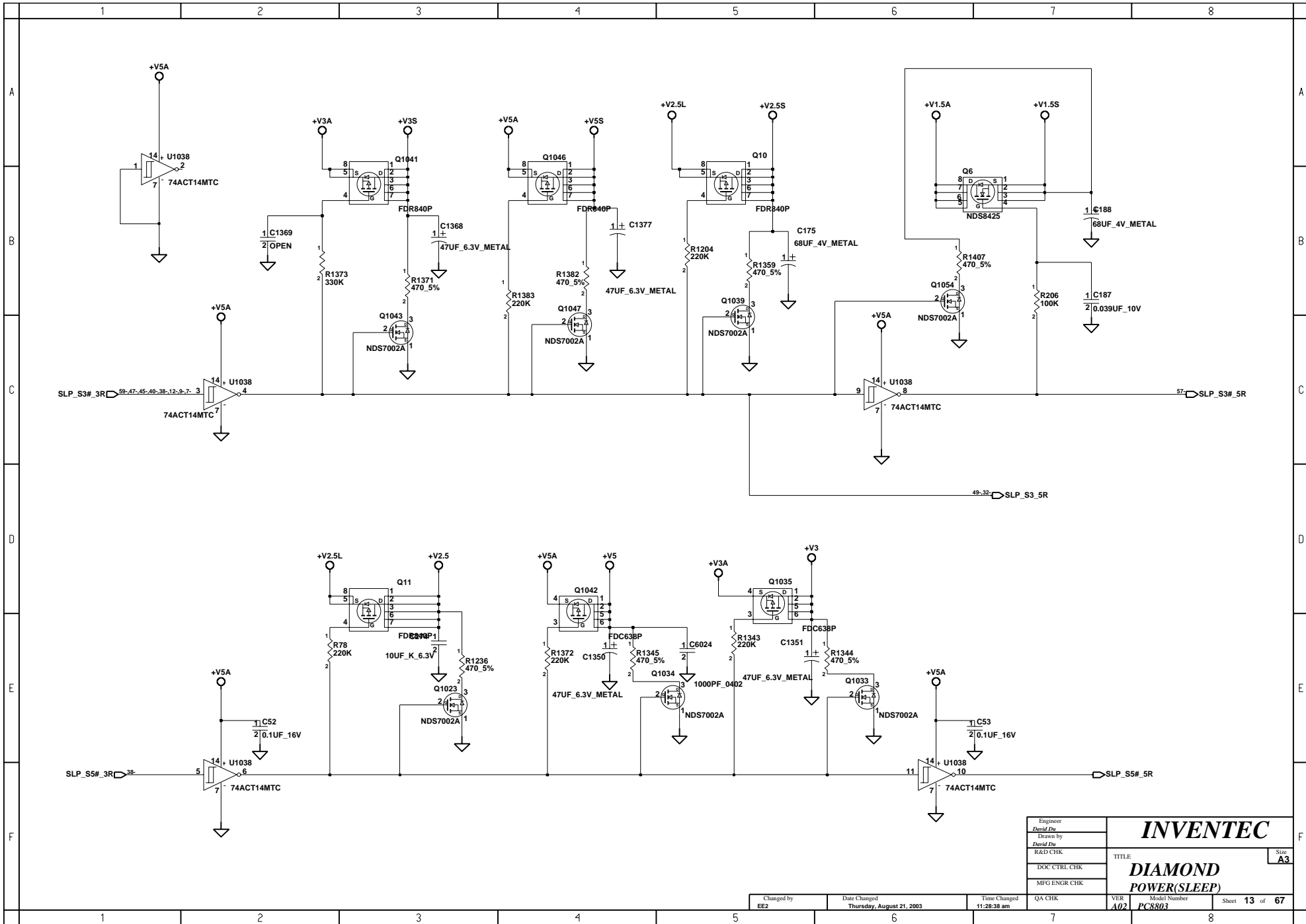
Changed by EE2	Date Changed Thursday, July 31, 2003	Time Changed 6:06:02 pm	QA CHK	VER A02	Model Number PC8803	Sheet 10 of 67
-------------------	-----------------------------------------	----------------------------	--------	------------	------------------------	-------------------



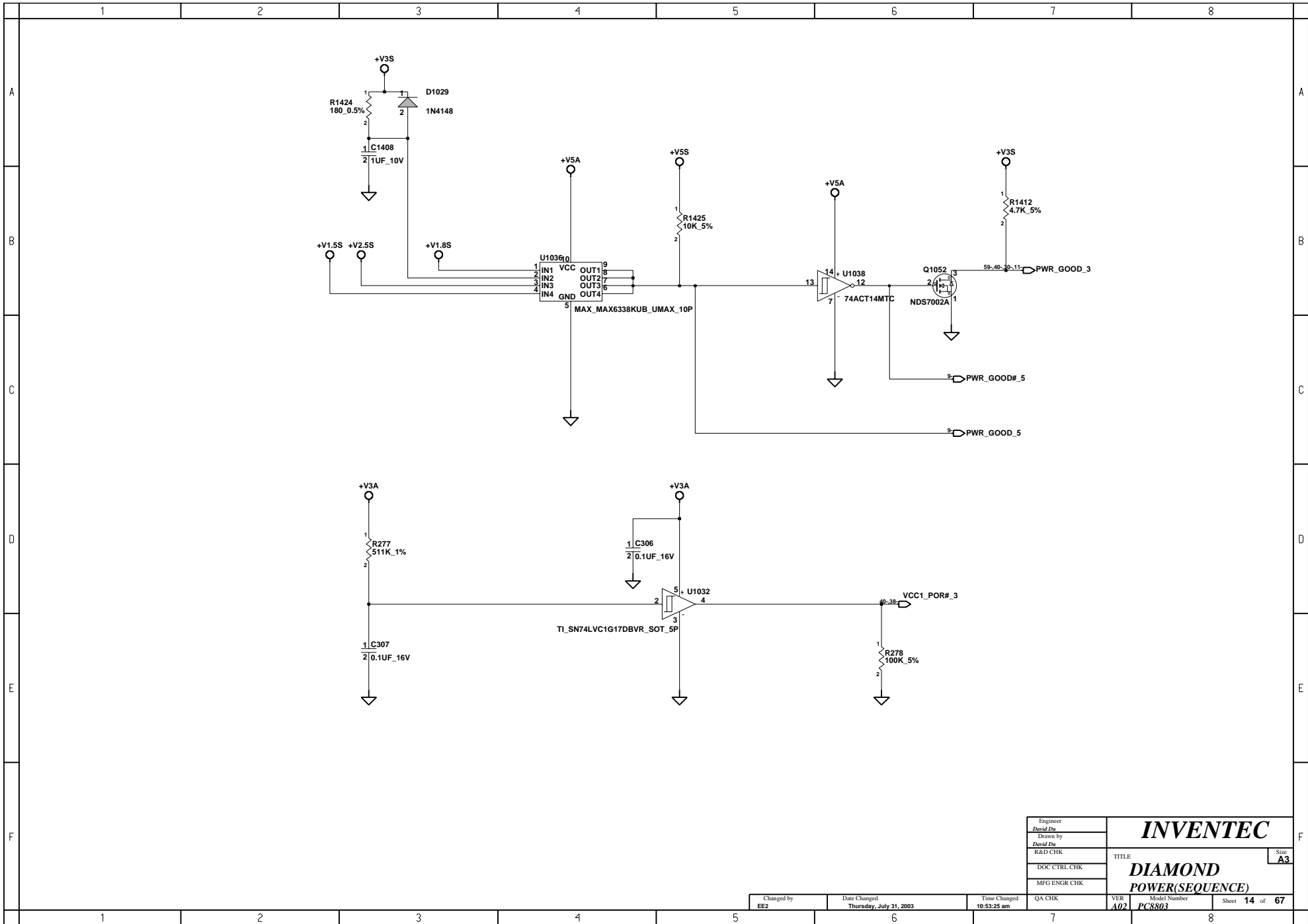


Engineer David Du	<b>INVENTEC</b> TITLE: <b>DIAMOND</b> <b>VGA POWER(VDD_CORE)</b>	Size A3
Drawn by David Du		
R&D CHK		
DOC CTRL CHK		
MFG ENGR CHK		

Changed by EE2	Date Changed Thursday, July 31, 2003	Time Changed 10:53:16 am	QA CHK	VER A02	Model Number PC8803	Sheet 12 of 67
-------------------	-----------------------------------------	-----------------------------	--------	------------	------------------------	-------------------

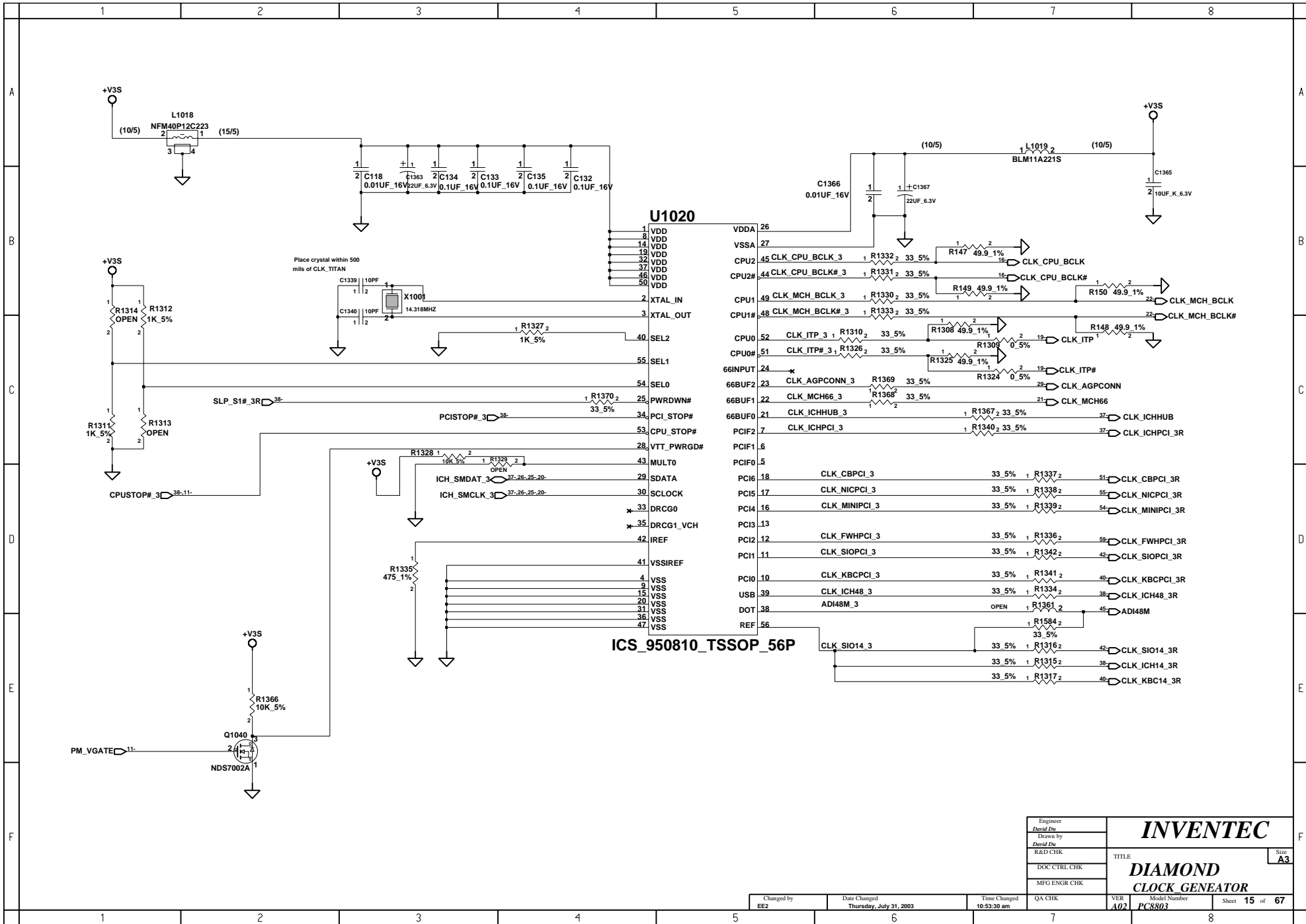


Engineer David Du	<b>INVENTEC</b> TITLE: <b>DIAMOND POWER(SLEEP)</b> Model Number: <b>PC8803</b>				
Drawn by David Du					
R&D CHK					
DOC CTRL CHK					
MFG ENGR CHK					
Changed by EE2	Date Changed Thursday, August 21, 2003	Time Changed 11:28:38 am	QA CHK	VER A02	Sheet <b>13</b> of <b>67</b>



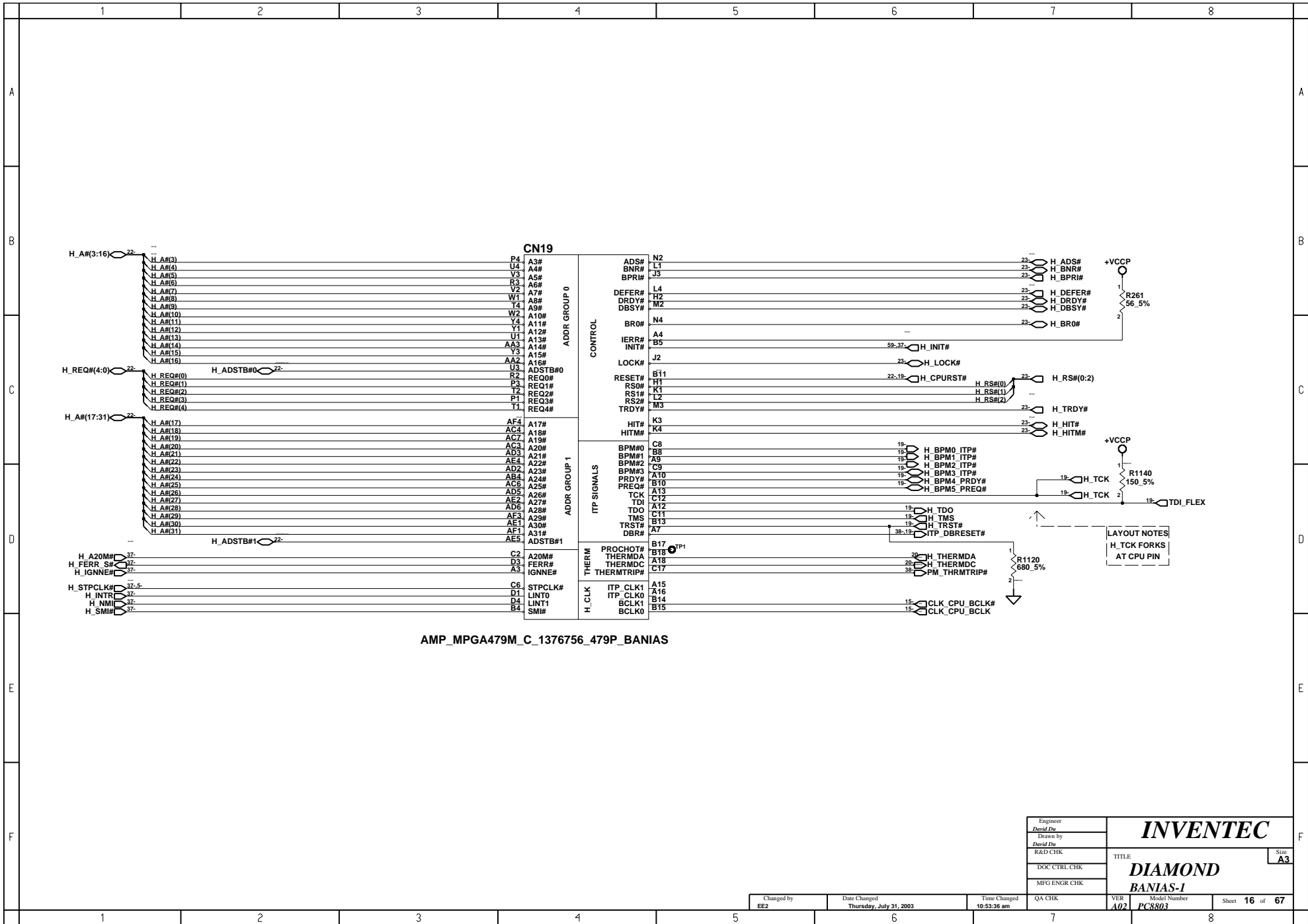
Engineer <i>David Du</i>	<b>INVENTEC</b>
Drawn by <i>David Du</i>	
R&D CHK	
DOC CTRL CHK	
MFG ENGR CHK	
TITLE	<b>DIAMOND POWER(SEQUENCE)</b>
Model Number <b>PC8803</b>	Size <b>A3</b>

Changed by <b>EE2</b>	Date Changed <b>Thursday, July 31, 2003</b>	Time Changed <b>10:53:25 am</b>	QA CHK	VER <b>A02</b>	Sheet <b>14</b> of <b>67</b>
--------------------------	------------------------------------------------	------------------------------------	--------	-------------------	------------------------------



Engineer David Du	<b>INVENTEC</b> TITLE: <b>DIAMOND</b> <b>CLOCK GENERATOR</b>	Size A3
Drawn by David Du		
R&D CHK		
DOC CTRL CHK		
MFG ENGR CHK		

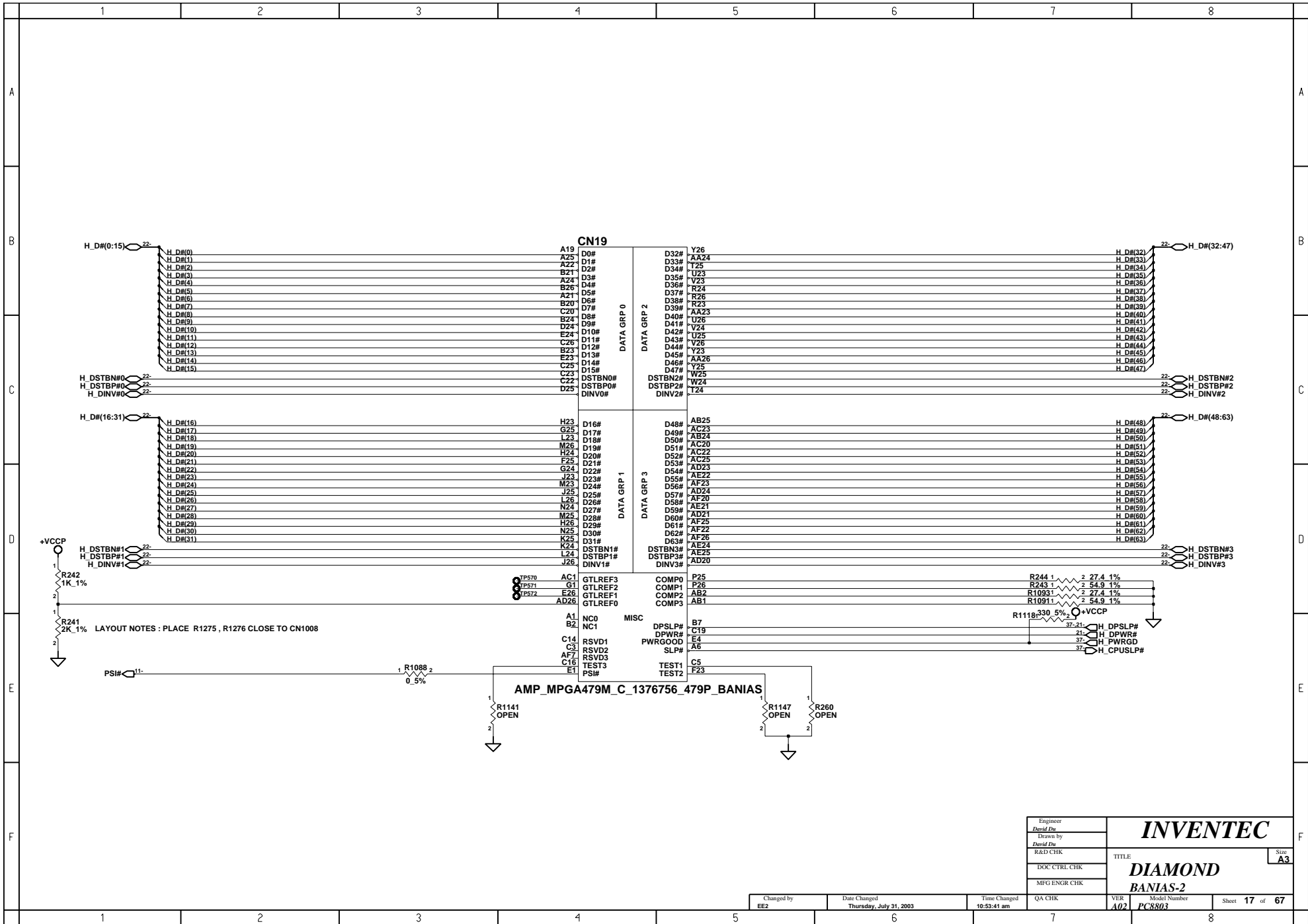
Changed by EE2	Date Changed Thursday, July 31, 2003	Time Changed 10:53:30 am	QA CHK	VER A02	Model Number PC8803	Sheet 15 of 67
-------------------	-----------------------------------------	-----------------------------	--------	------------	------------------------	-------------------



Engineer <i>David Du</i>	<b>INVENTEC</b>	Size <b>A3</b>
Drawn by <i>David Du</i>		
R&D CHK		
DOC CTRL CHK		
MFG ENGR CHK		
TITLE <b>DIAMOND</b> <b>BANIAS-1</b>		

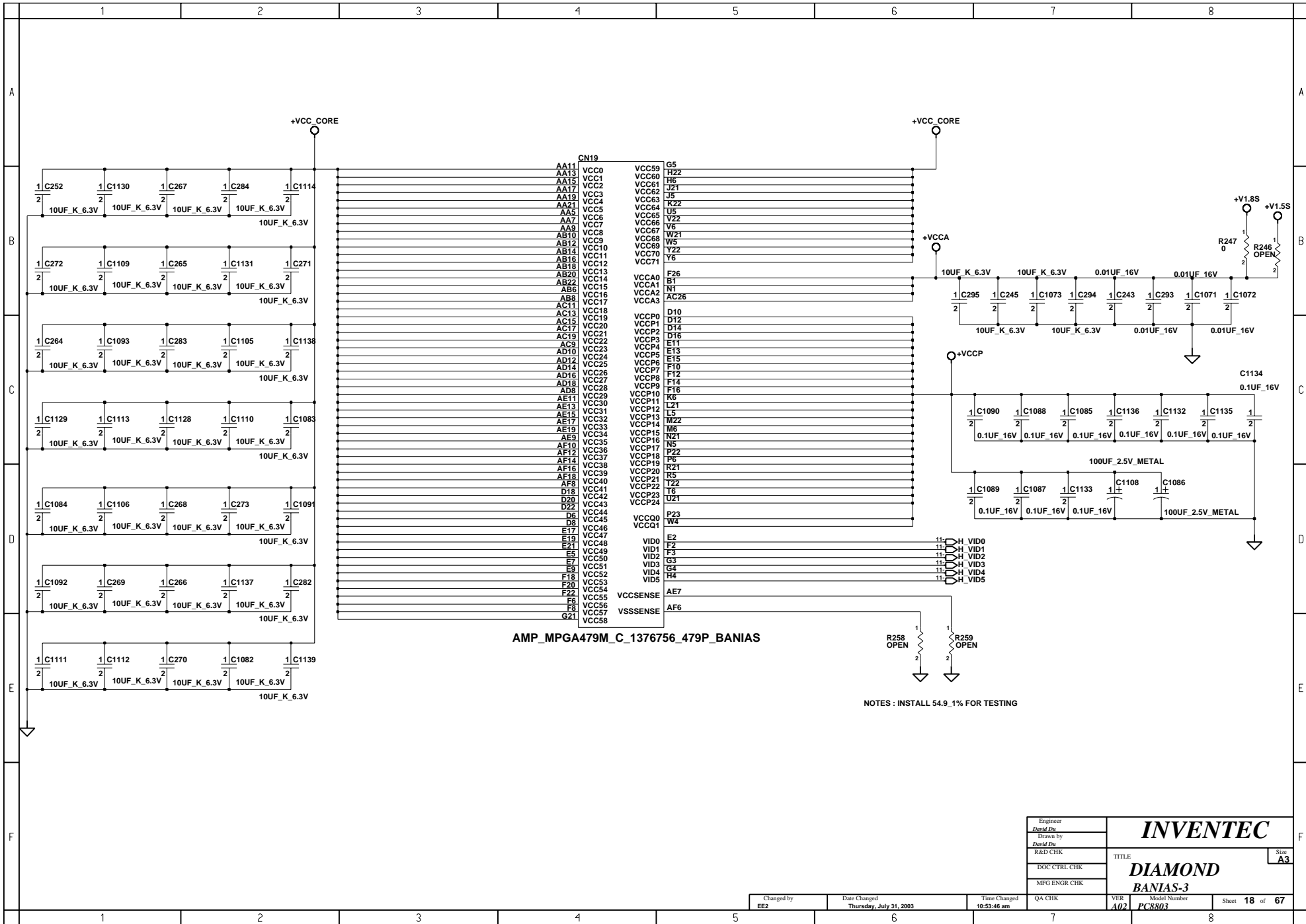
Changed by <b>EE2</b>	Date Changed <b>Thursday, July 31, 2003</b>	Time Changed <b>10:53:36 am</b>	QA CHK	VER <b>A02</b>	Model Number <b>PC8803</b>	Sheet <b>16</b> of <b>67</b>
--------------------------	------------------------------------------------	------------------------------------	--------	-------------------	-------------------------------	------------------------------

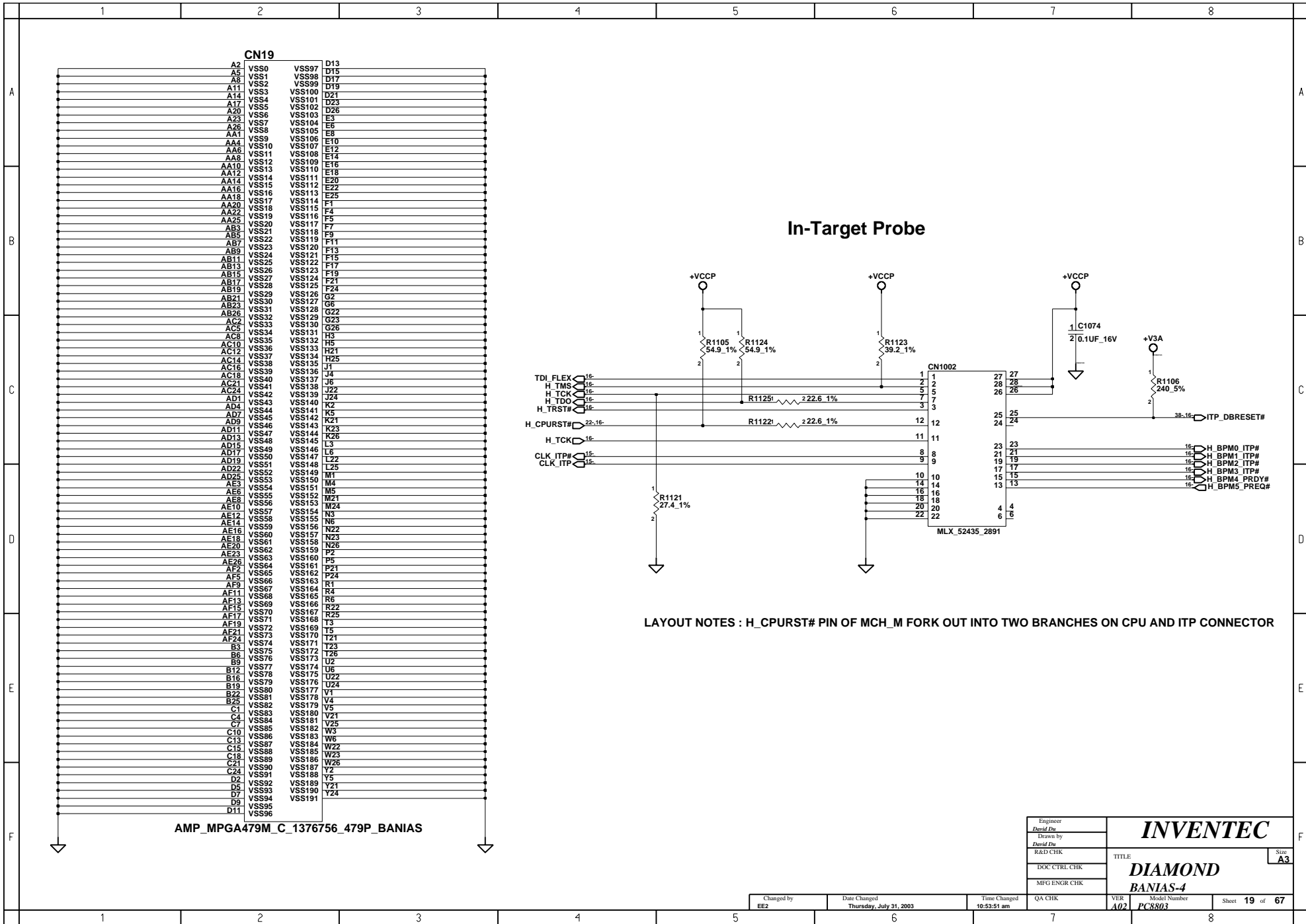




Engineer	David Du
Drawn by	David Du
R&D CHK	
DOC CTRL CHK	
MFG ENGR CHK	
TITLE	<b>DIAMOND</b>
Model Number	<b>BANIAS-2</b>
Sheet	17 of 67

Changed by	Date Changed	Time Changed	QA CHK	VER	Model Number
EE2	Thursday, July 31, 2003	10:53:41 am		A02	PC8803

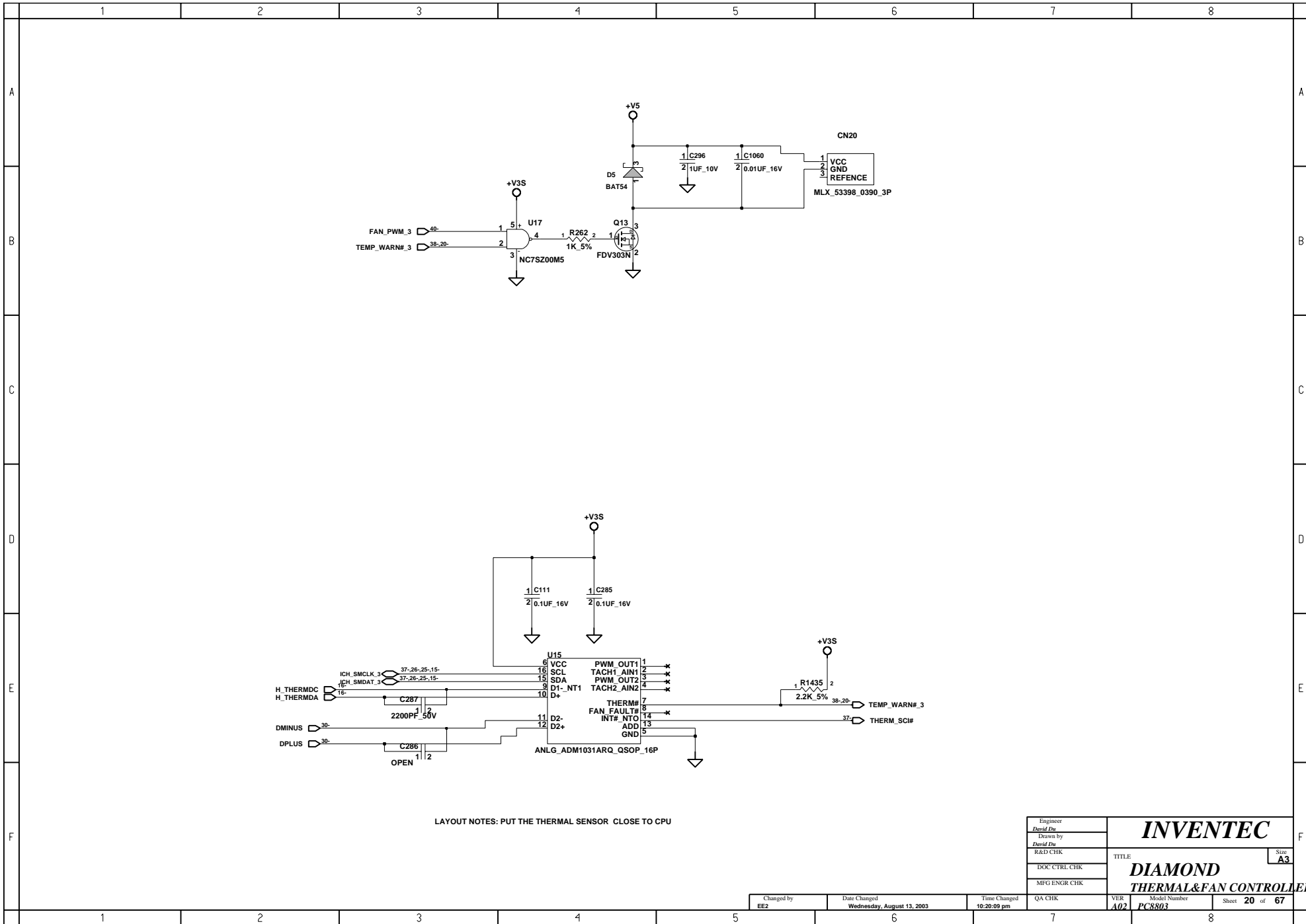




CN19		D13	
A2	VSS0	VSS97	D15
A5	VSS1	VSS98	D17
A8	VSS2	VSS99	D19
A11	VSS3	VSS100	D21
A14	VSS4	VSS101	D23
A17	VSS5	VSS102	D25
A20	VSS6	VSS103	E3
A23	VSS7	VSS104	E6
A26	VSS8	VSS105	E8
AA1	VSS9	VSS106	E10
AA4	VSS10	VSS107	E12
AA6	VSS11	VSS108	E14
AA8	VSS12	VSS109	E16
AA10	VSS13	VSS110	E18
AA12	VSS14	VSS111	E20
AA14	VSS15	VSS112	E22
AA16	VSS16	VSS113	E25
AA18	VSS17	VSS114	F3
AA20	VSS18	VSS115	F4
AA22	VSS19	VSS116	F5
AA25	VSS20	VSS117	F7
AB3	VSS21	VSS118	F9
AB5	VSS22	VSS119	F11
AB7	VSS23	VSS120	F13
AB9	VSS24	VSS121	F15
AB11	VSS25	VSS122	F17
AB13	VSS26	VSS123	F19
AB15	VSS27	VSS124	F21
AB17	VSS28	VSS125	F24
AB19	VSS29	VSS126	G2
AB21	VSS30	VSS127	G6
AB23	VSS31	VSS128	G22
AB26	VSS32	VSS129	G23
AC2	VSS33	VSS130	G26
AC4	VSS34	VSS131	H3
AC6	VSS35	VSS132	H5
AC8	VSS36	VSS133	H21
AC10	VSS37	VSS134	H25
AC12	VSS38	VSS135	J1
AC14	VSS39	VSS136	J4
AC16	VSS40	VSS137	J6
AC18	VSS41	VSS138	J2
AC21	VSS42	VSS139	J24
AC24	VSS43	VSS140	K2
AD1	VSS44	VSS141	K5
AD4	VSS45	VSS142	K21
AD7	VSS46	VSS143	K23
AD9	VSS47	VSS144	K26
AD11	VSS48	VSS145	L3
AD13	VSS49	VSS146	L6
AD15	VSS50	VSS147	L22
AD17	VSS51	VSS148	L25
AD19	VSS52	VSS149	M1
AD22	VSS53	VSS150	M4
AD25	VSS54	VSS151	M5
AE3	VSS55	VSS152	M21
AE6	VSS56	VSS153	M24
AE8	VSS57	VSS154	N3
AE10	VSS58	VSS155	N6
AE12	VSS59	VSS156	N23
AE14	VSS60	VSS157	N22
AE16	VSS61	VSS158	N26
AE18	VSS62	VSS159	P2
AE20	VSS63	VSS160	P5
AE23	VSS64	VSS161	P21
AE26	VSS65	VSS162	P24
AF2	VSS66	VSS163	R1
AF5	VSS67	VSS164	R4
AF9	VSS68	VSS165	R6
AF11	VSS69	VSS166	R22
AF13	VSS70	VSS167	R5
AF15	VSS71	VSS168	R25
AF17	VSS72	VSS169	T3
AF19	VSS73	VSS170	T21
AF21	VSS74	VSS171	T23
AF24	VSS75	VSS172	T26
B3	VSS76	VSS173	U2
B6	VSS77	VSS174	U6
B9	VSS78	VSS175	U22
B12	VSS79	VSS176	U24
B16	VSS80	VSS177	V1
B19	VSS81	VSS178	V4
B22	VSS82	VSS179	V5
B25	VSS83	VSS180	V21
C1	VSS84	VSS181	V25
C4	VSS85	VSS182	W3
C10	VSS86	VSS183	W6
C13	VSS87	VSS184	W22
C18	VSS88	VSS185	W23
C21	VSS89	VSS186	W26
C24	VSS90	VSS187	Y2
D2	VSS91	VSS188	Y5
D5	VSS92	VSS189	Y21
D6	VSS93	VSS190	Y24
D7	VSS94	VSS191	
D9	VSS95		
D11	VSS96		

AMP\_MPGA479M\_C\_1376756\_479P\_BANIAS

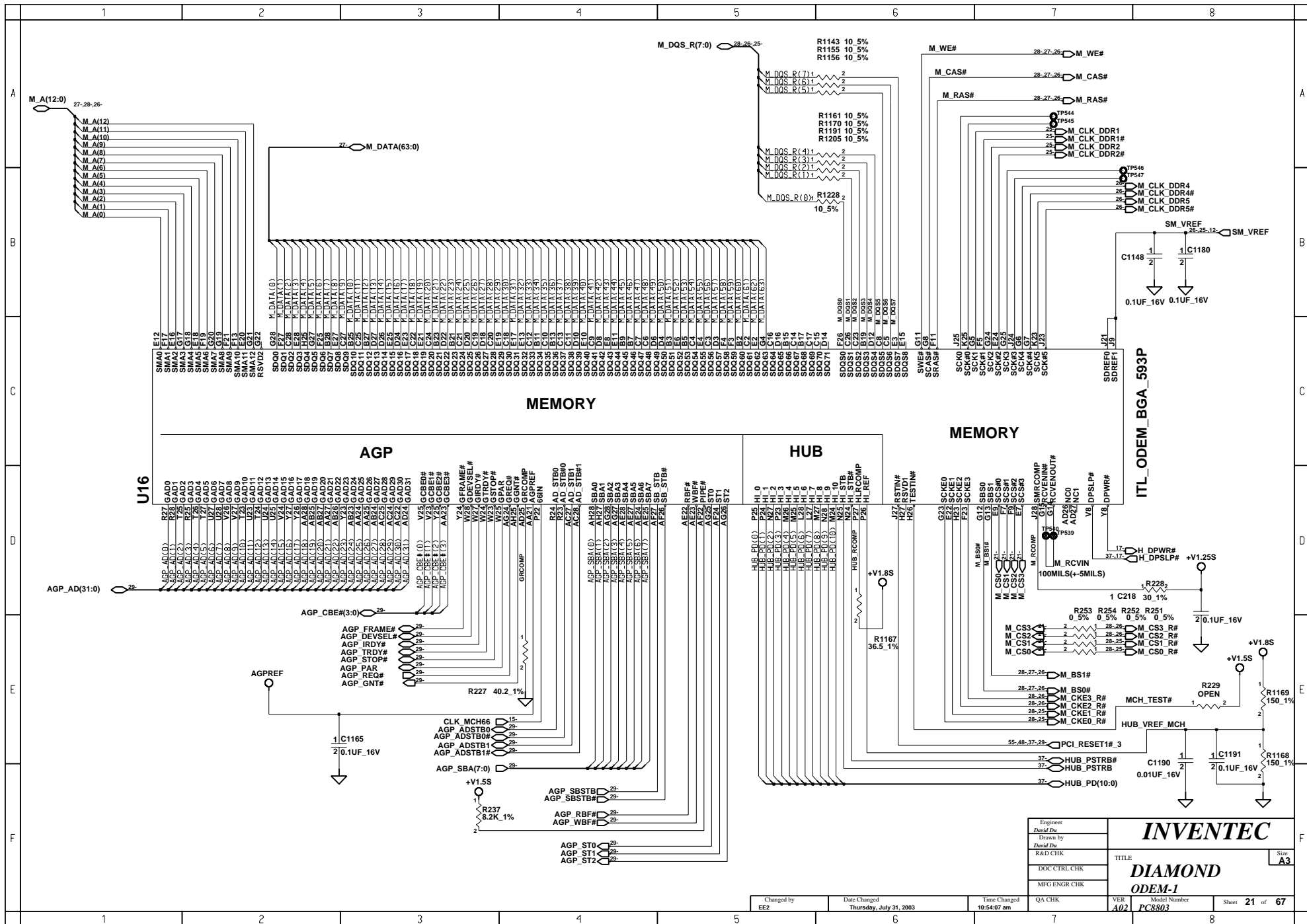
Engineer David Du	<b>INVENTEC</b>	Size <b>A3</b>
Drawn by David Du		
R&D CHK		
DOC CTRL CHK		
MFG ENGR CHK		
VER <b>A02</b>	TITLE <b>DIAMOND</b>	Model Number <b>PC8803</b>
Sheet <b>19</b> of <b>67</b>		



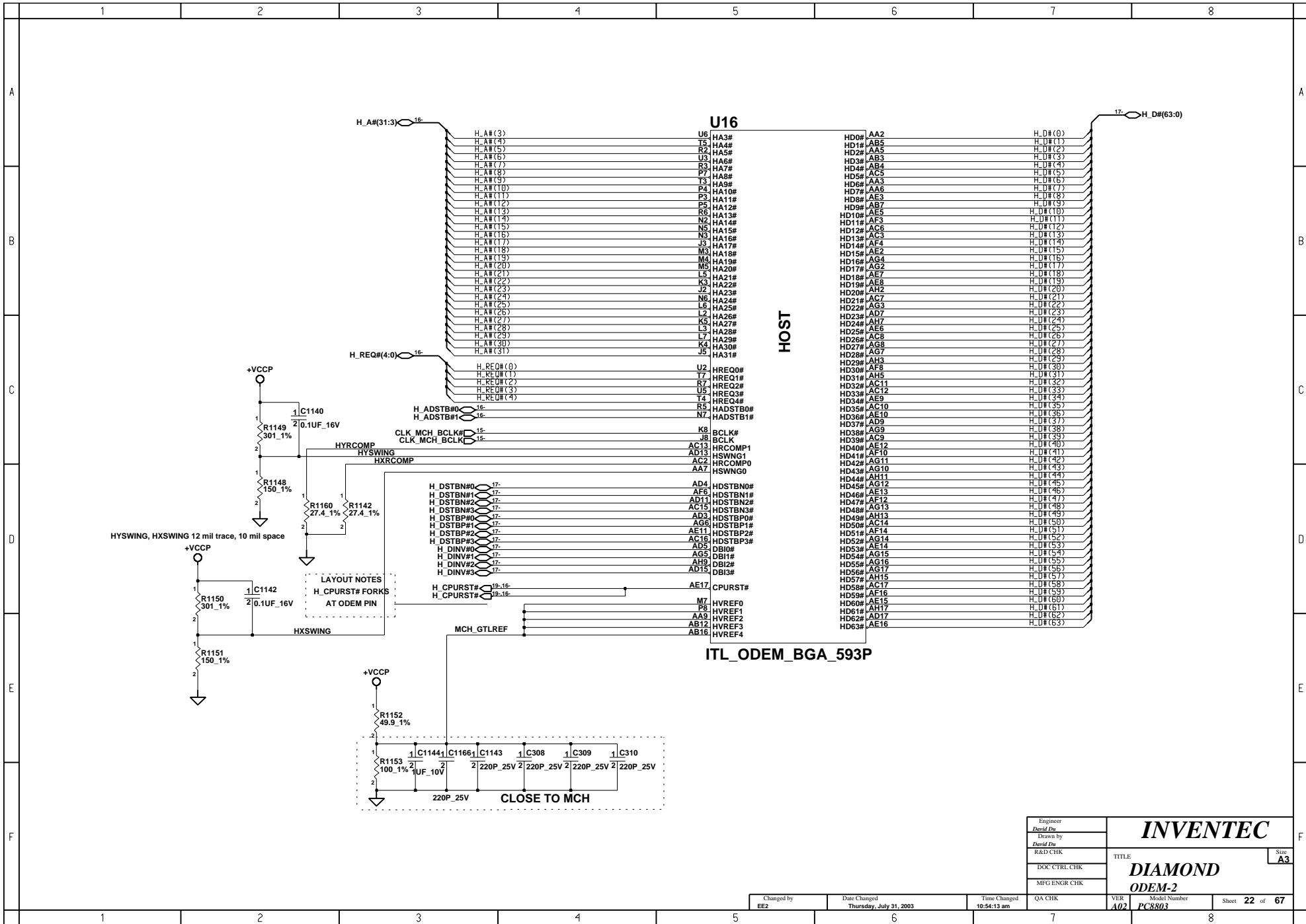
LAYOUT NOTES: PUT THE THERMAL SENSOR CLOSE TO CPU

Engineer David Du	<b>INVENTEC</b> TITLE: <b>DIAMOND</b> <b>THERMAL&amp;FAN CONTROLLER</b>	Size A3
Drawn by David Du		
R&D CHK		
DOC CTRL CHK		
MFG ENGR CHK		

Changed by EE2	Date Changed Wednesday, August 13, 2003	Time Changed 10:20:09 pm	QA CHK	VER A02	Model Number PC8803	Sheet 20 of 67
-------------------	--------------------------------------------	-----------------------------	--------	------------	------------------------	-------------------

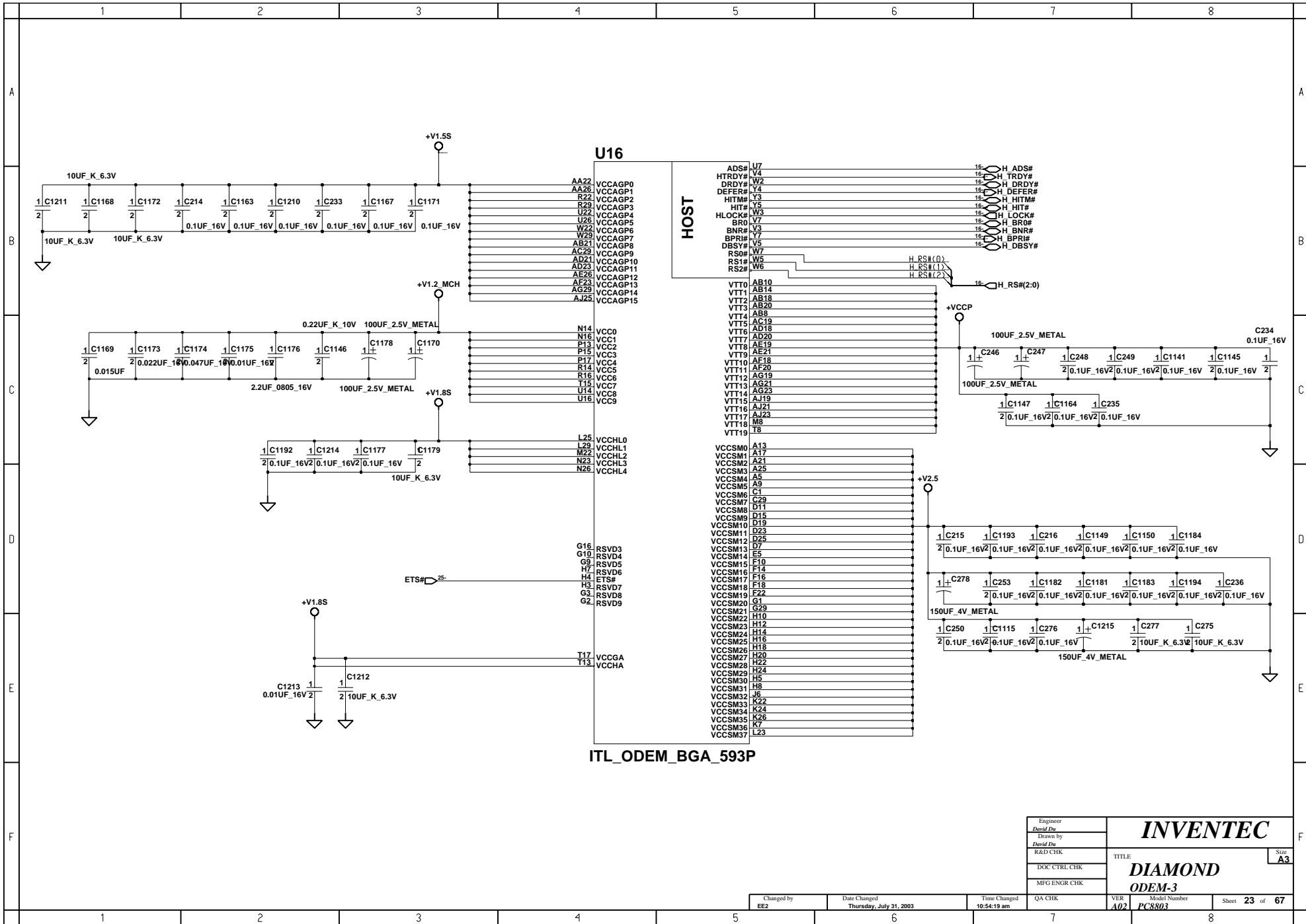


Engineer David Du	<b>INVENTEC</b> TITLE: <b>DIAMOND ODEM-1</b> Size: <b>A3</b>					
Drawn by David Du						
R&D CHK						
DOC CTRL CHK						
MFG ENGR CHK						
Changed by EE2	Date Changed Thursday, July 31, 2003	Time Changed 10:54:07 am	QA CHK	VER A02	Model Number PC8803	Sheet 21 of 67



Engineer David Du	<b>INVENTEC</b> TITLE: <b>DIAMOND</b> <b>ODEM-2</b> Model Number <b>PC8803</b>	Size <b>A3</b>
Drawn by David Du		
R&D CHK		
DOC CTRL CHK		
MFG ENGR CHK		

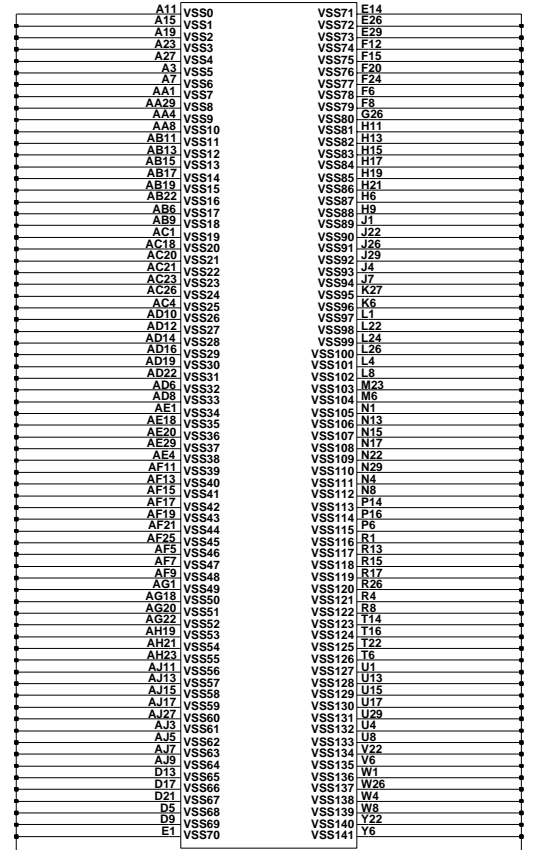
Changed by EE2	Date Changed Thursday, July 31, 2003	Time Changed 10:54:13 am	QA CHK	VER A02	Sheet <b>22</b> of <b>67</b>
-------------------	-----------------------------------------	-----------------------------	--------	------------	------------------------------



ITL\_ODEM\_BGA\_593P

Engineer David Du	<b>INVENTEC</b> TITLE: <b>DIAMOND ODEM-3</b> Model Number: <b>PC8803</b> Sheet <b>23</b> of <b>67</b>
Drawn by David Du	
R&D CHK	
DOC CTRL CHK	
MFG ENGR CHK	

**U16**

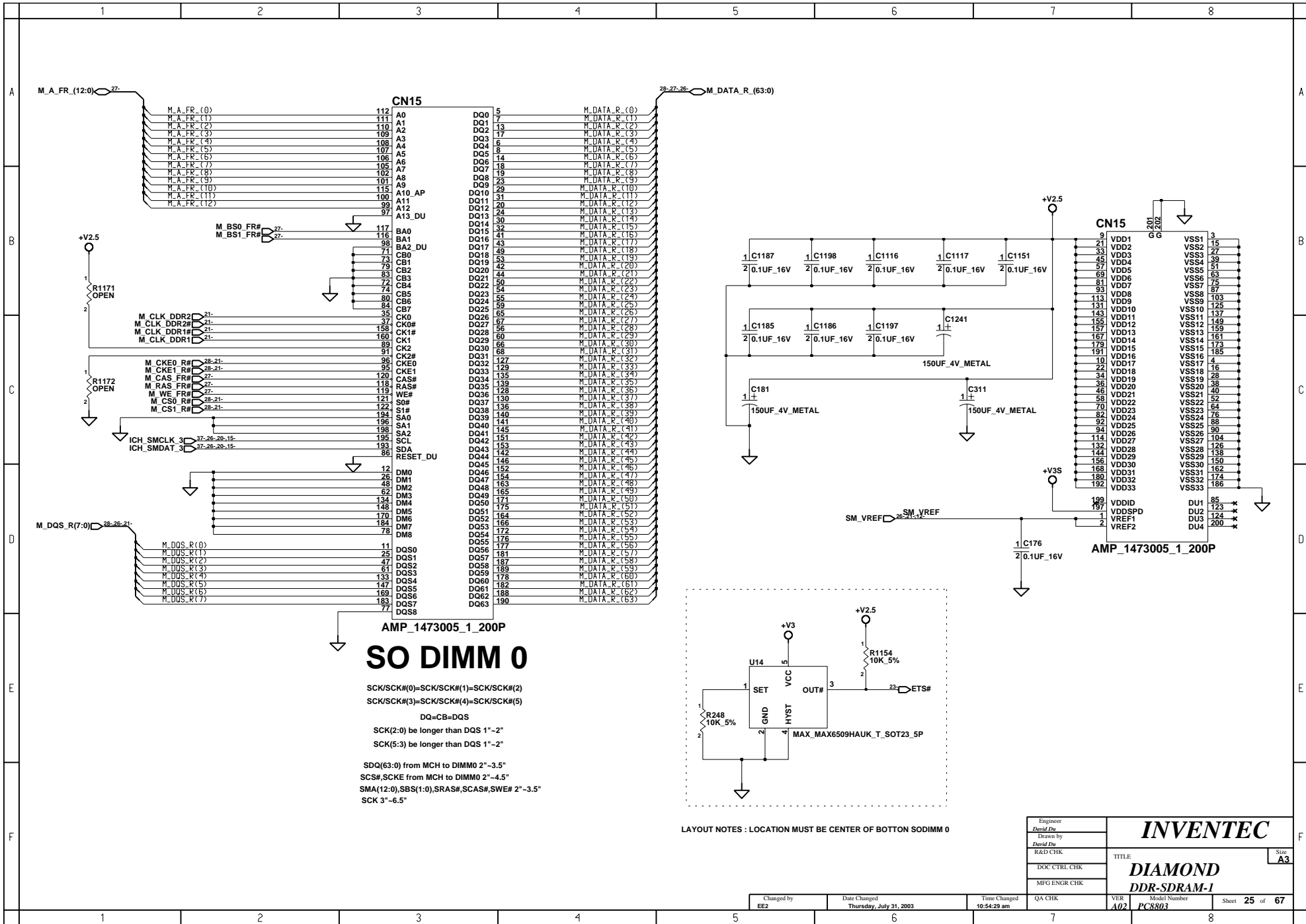


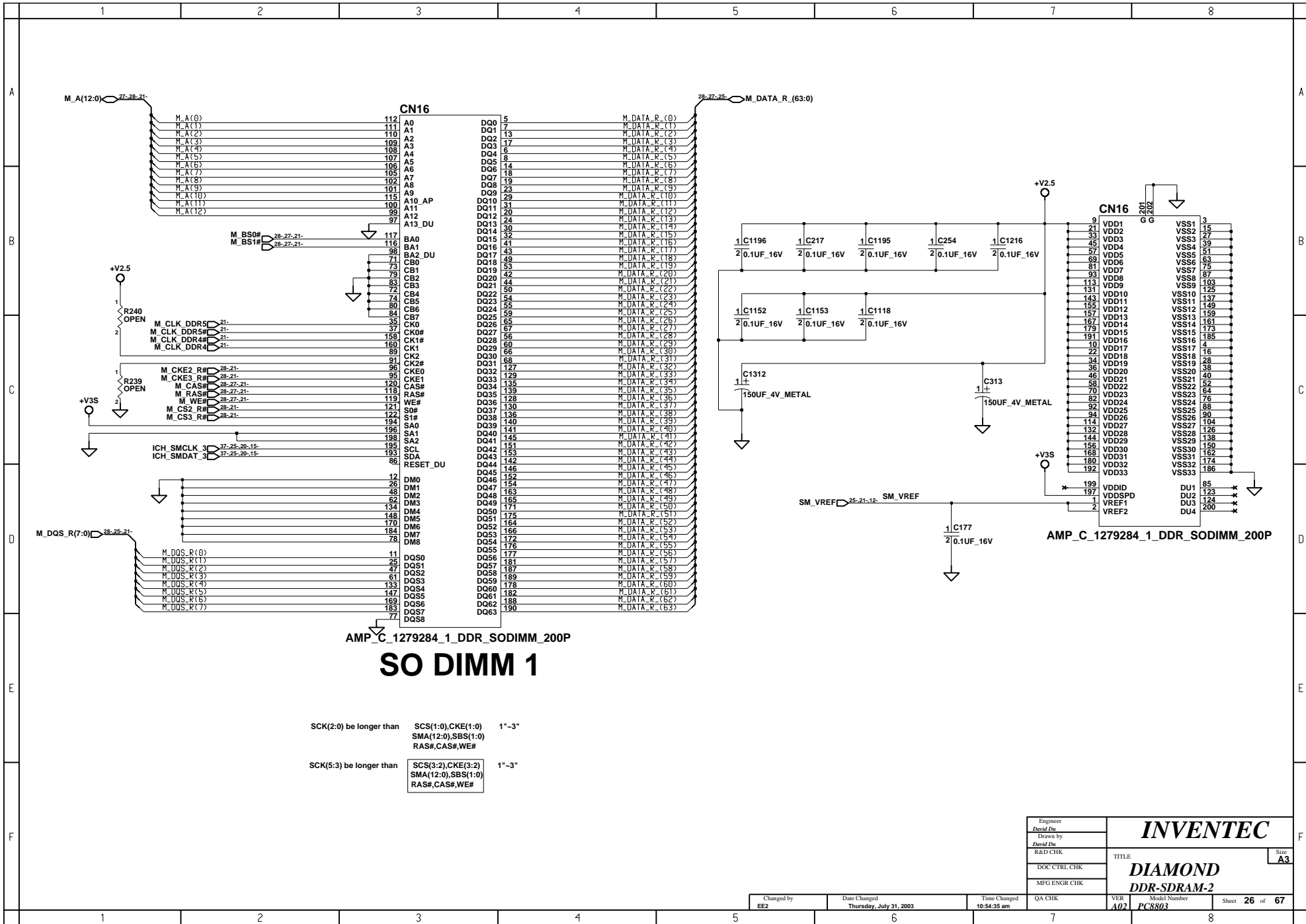
ITL\_ODEM\_BGA\_593P

Engineer <i>David Du</i>	<b>INVENTEC</b>  <b>DIAMOND</b> <b>ODEM-4</b>	Size <b>A3</b>
Drawn by <i>David Du</i>		TITLE
R&D CHK		
DOC CTRL CHK		
MFG ENGR CHK		

Changed by <b>EE2</b>	Date Changed <b>Thursday, July 31, 2003</b>	Time Changed <b>10:54:24 am</b>	QA CHK	VER <b>A02</b>	Model Number <b>PC8803</b>	Sheet <b>24</b> of <b>67</b>
--------------------------	------------------------------------------------	------------------------------------	--------	-------------------	-------------------------------	------------------------------

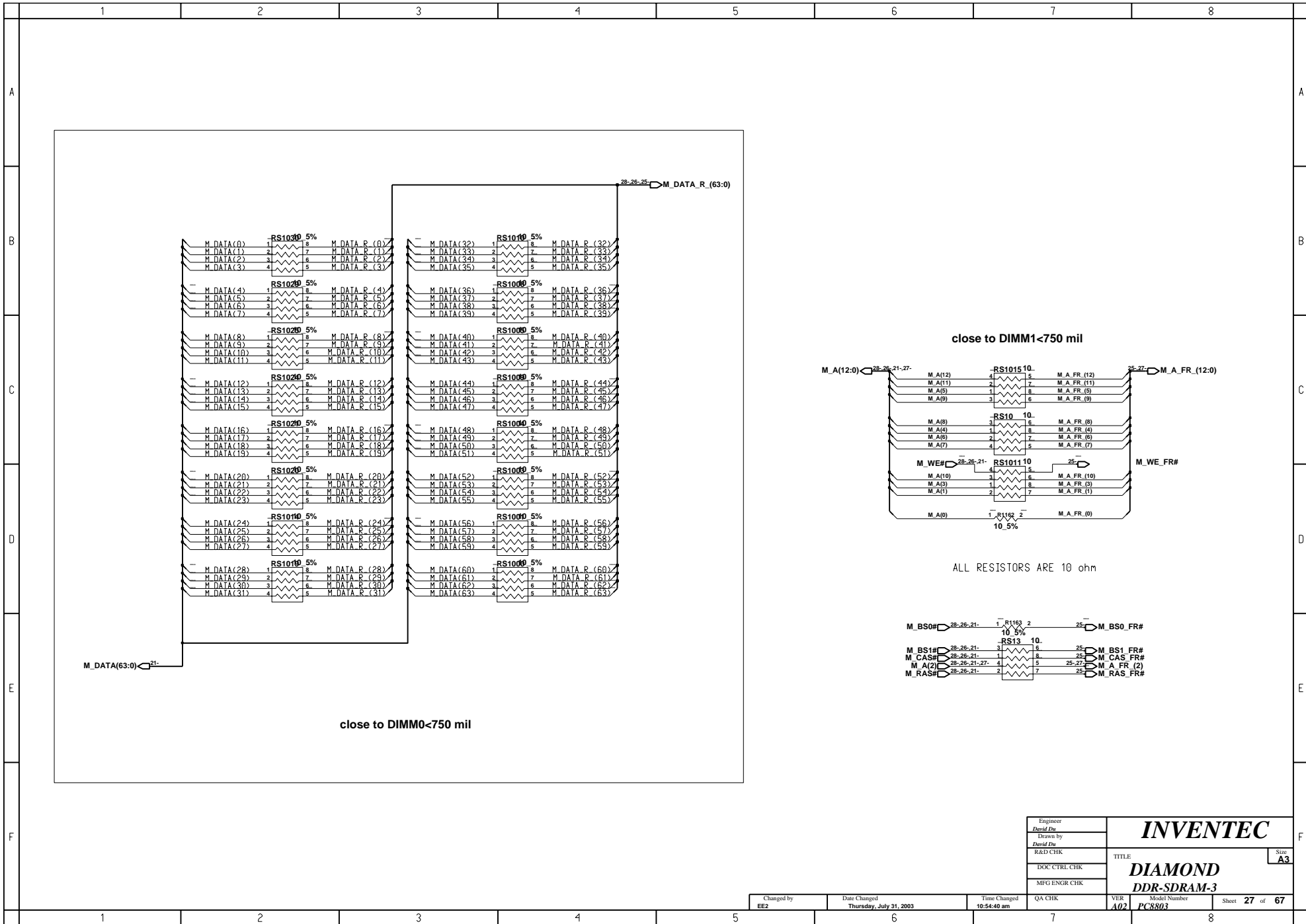






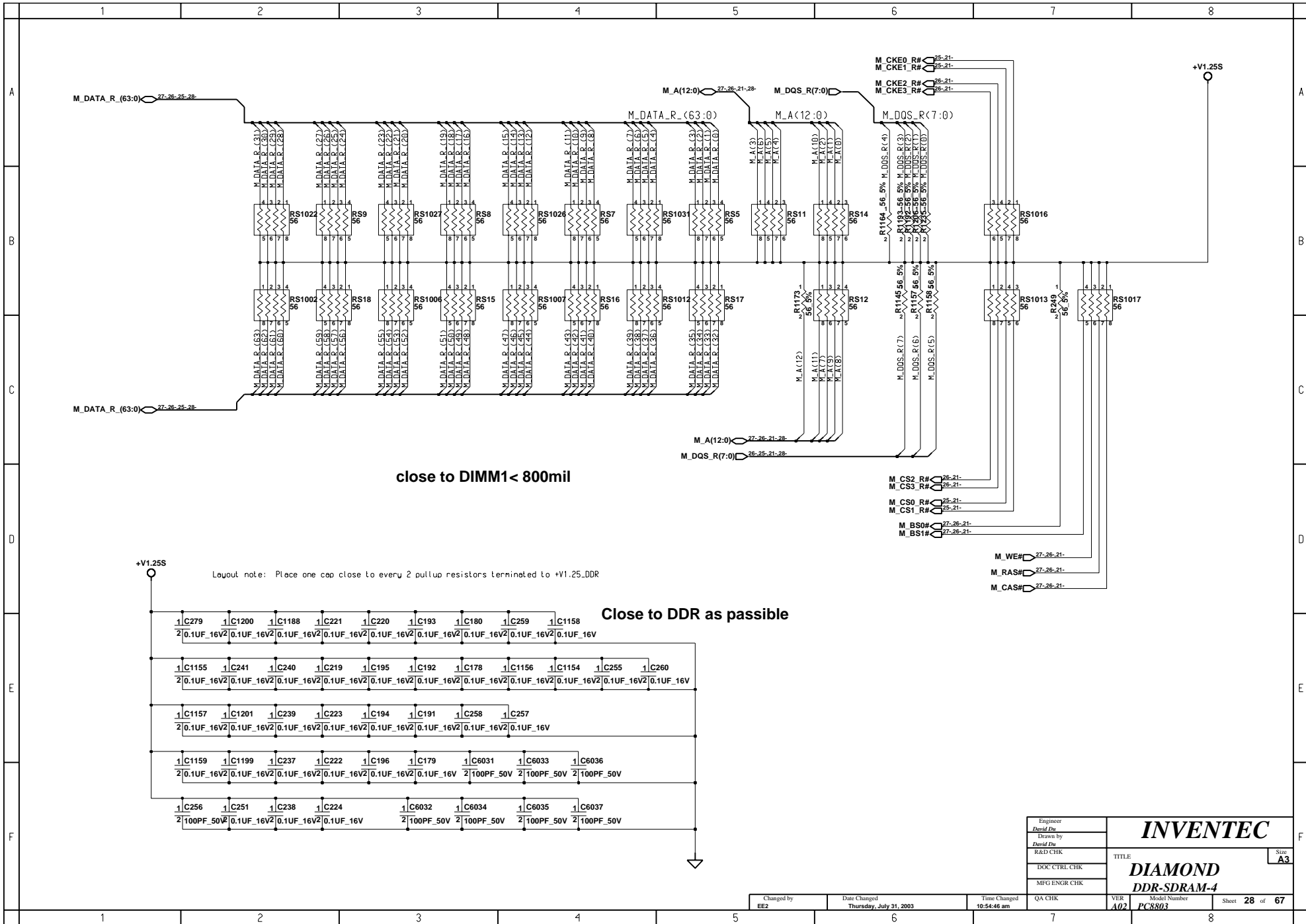
Engineer <i>David Du</i>	<b>INVENTEC</b>	Size A3
Drawn by <i>David Du</i>		
R&D CHK		
DOC CTRL CHK		
MFG ENGR CHK		
TITLE <b>DIAMOND DDR-SDRAM-2</b>	Model Number <b>PC8803</b>	Sheet <b>26</b> of <b>67</b>

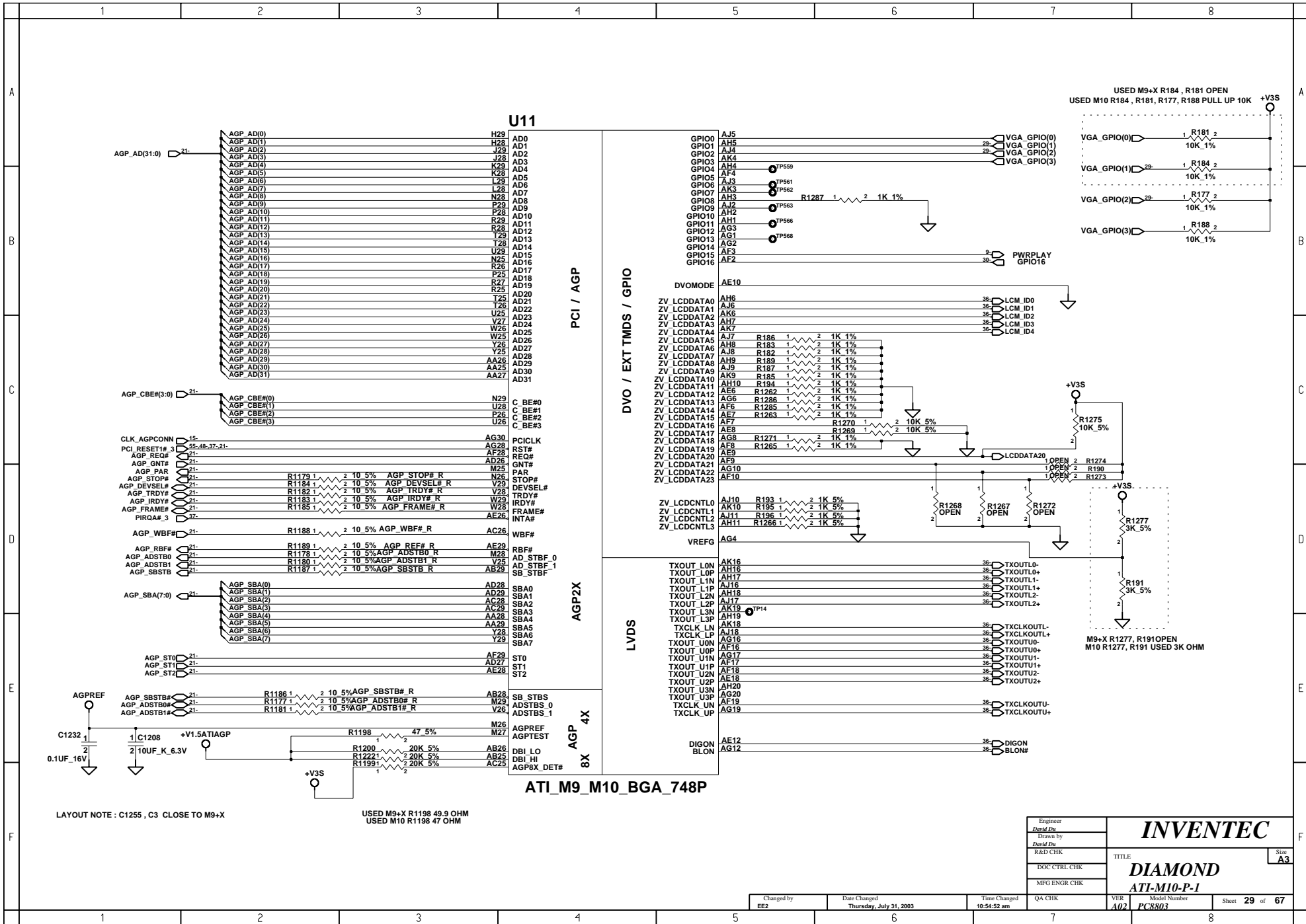
Changed by <b>EE2</b>	Date Changed <b>Thursday, July 31, 2003</b>	Time Changed <b>10:54:35 am</b>	QA CHK	VER <b>A02</b>
--------------------------	------------------------------------------------	------------------------------------	--------	-------------------



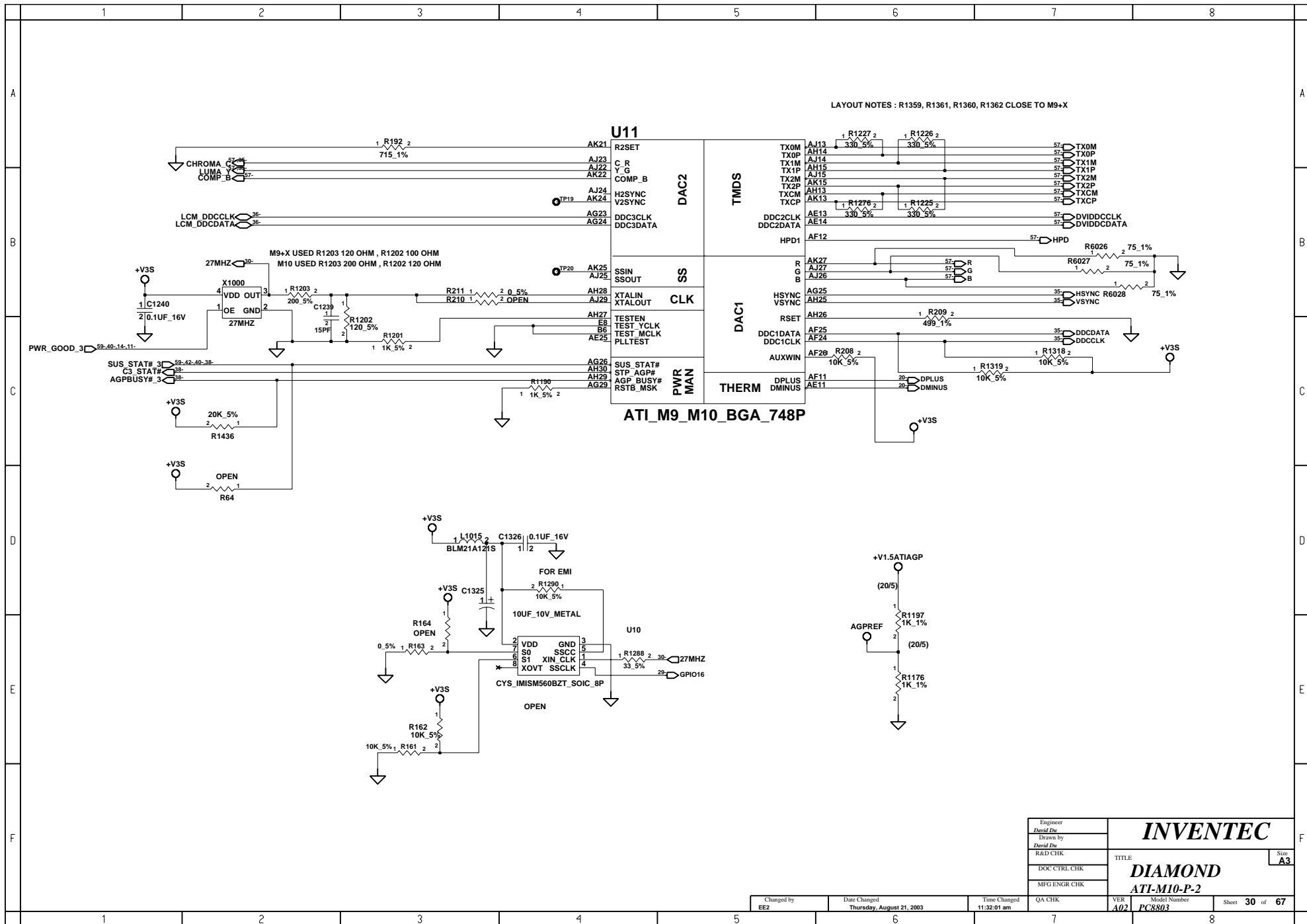
Engineer David Du	<b>INVENTEC</b> TITLE: <b>DIAMOND</b> <b>DDR-SDRAM-3</b>	Size A3
Drawn by David Du		
R&D CHK		
DOC CTRL CHK		
MFG ENGR CHK		

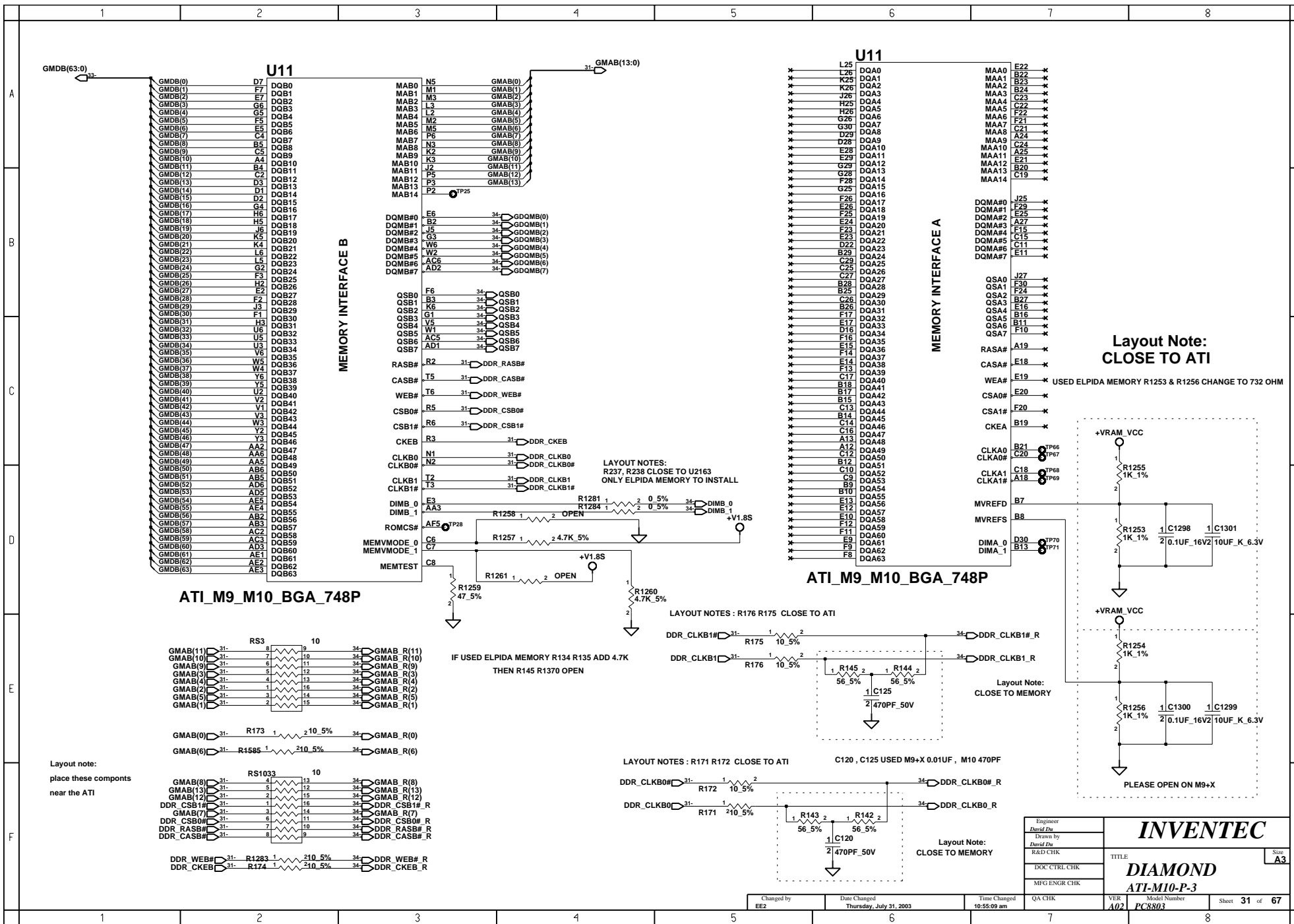
Changed by EE2	Date Changed Thursday, July 31, 2003	Time Changed 10:54:40 am	QA CHK	VER A02	Model Number PC8803	Sheet 27 of 67
-------------------	-----------------------------------------	-----------------------------	--------	------------	------------------------	----------------

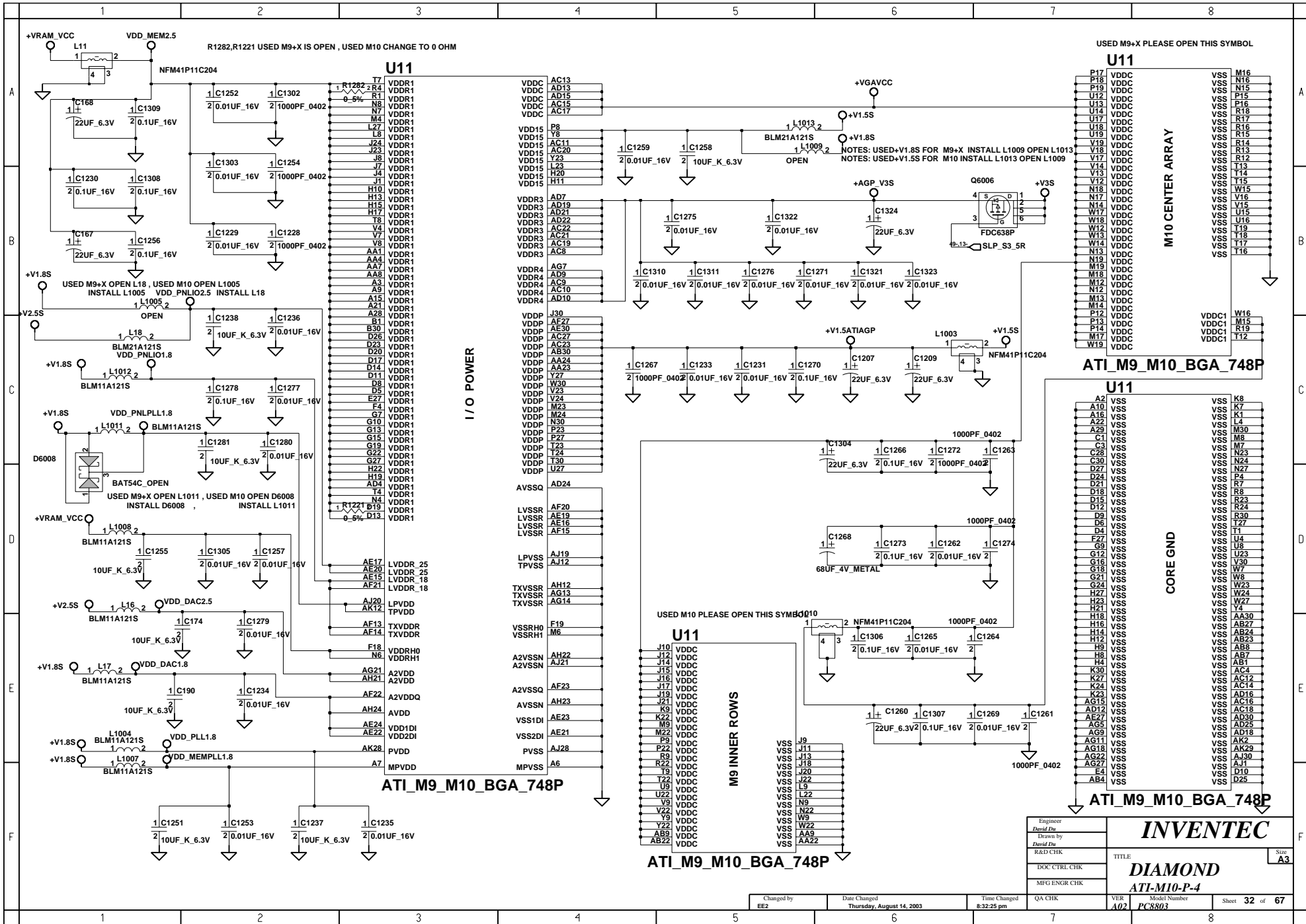




Engineer David Du	<b>INVENTEC</b> TITLE: <b>DIAMOND</b> <b>ATI-M10-P-1</b> Model Number <b>PC8803</b>	Sheet <b>29</b> of <b>67</b>		
Drawn by David Du				
R&D CHK				
DOC CTRL CHK				
MFG ENGR CHK				
Changed by EE2	Date Changed Thursday, July 31, 2003	Time Changed 10:54:52 am	QA CHK	VER A02

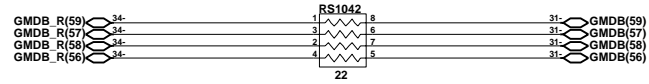
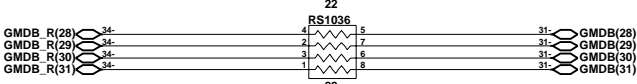
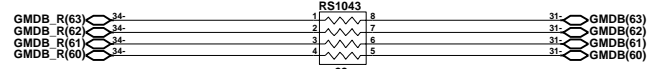
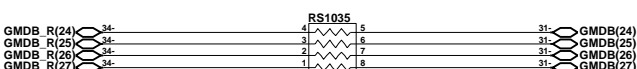
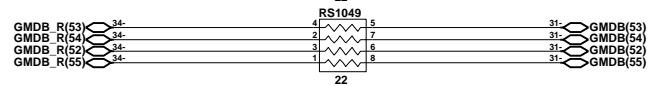
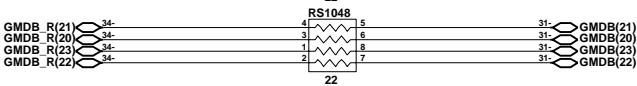
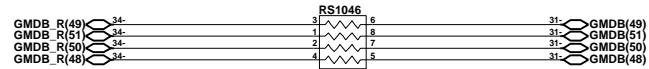
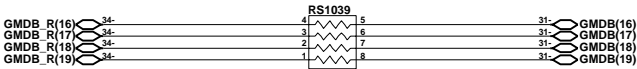
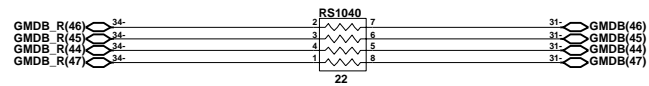
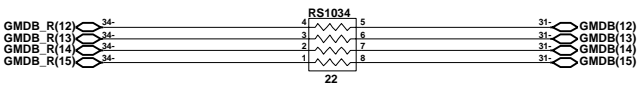
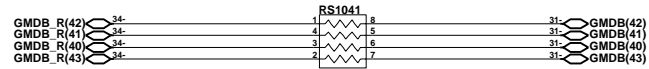
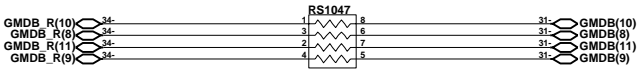
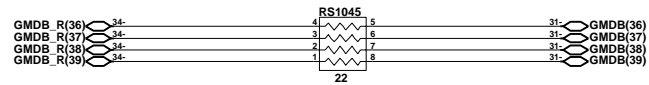
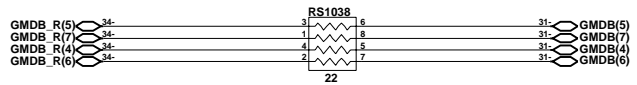
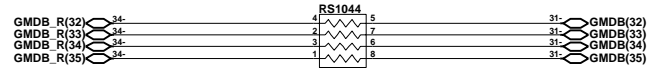
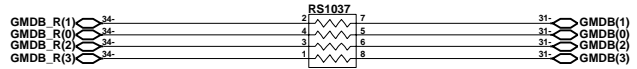






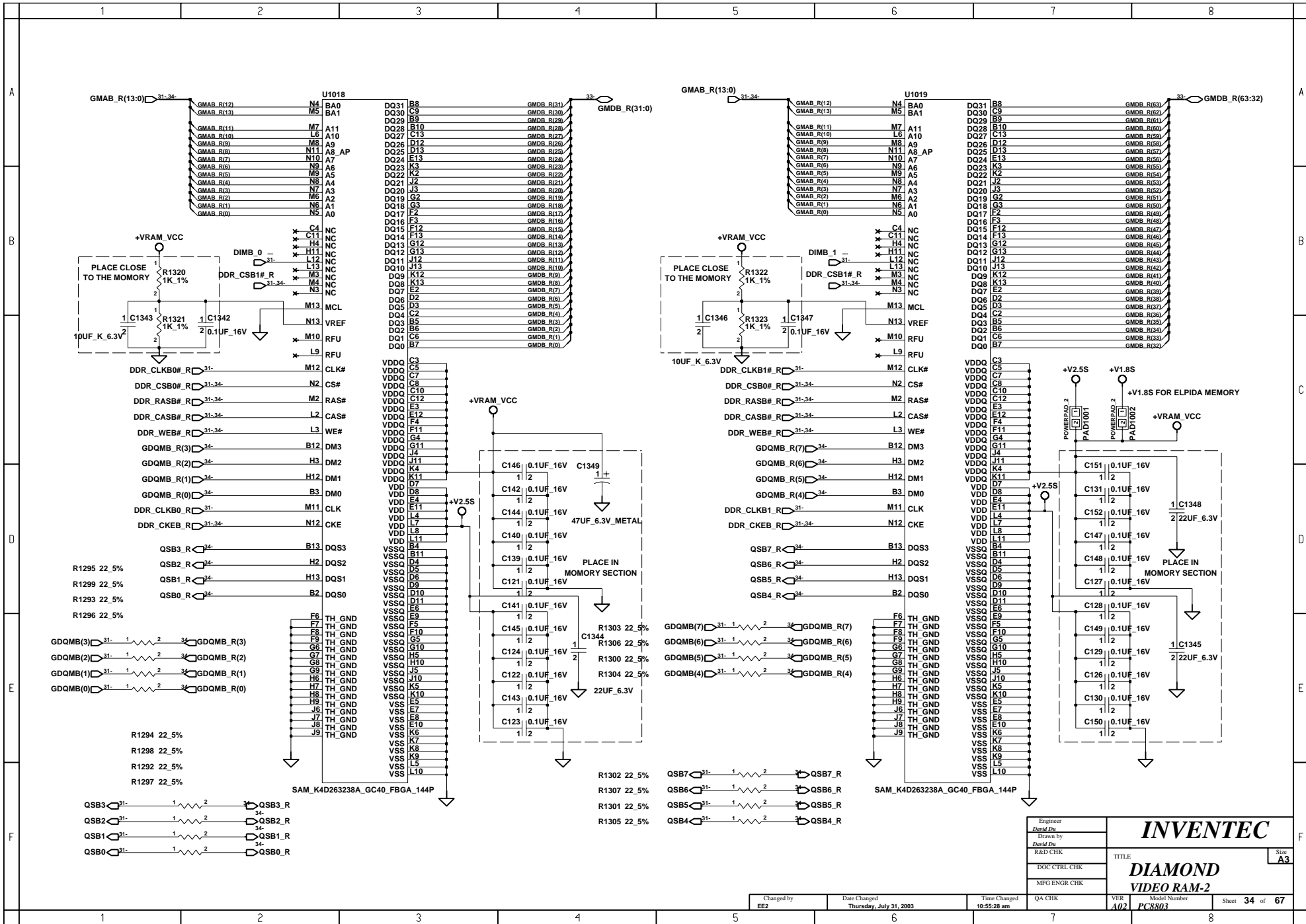


LAYOUT NOTES : THIS IS DEPEND RESISTOR NEED CLOSE TO VIDEO RAM



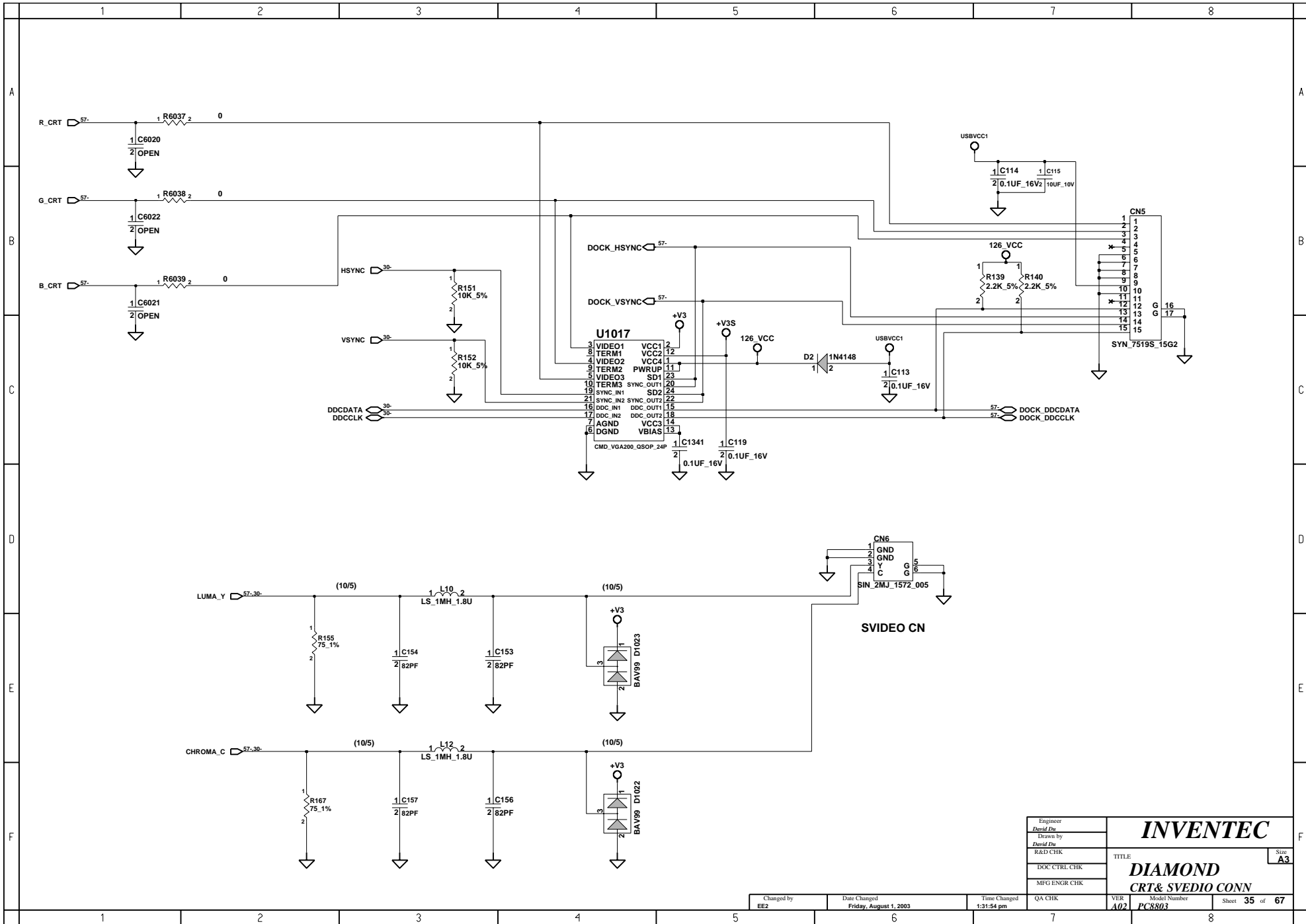
Engineer David Du	<b>INVENTEC</b> TITLE: <b>DIAMOND</b> <b>VGA DEPEND RESISTOR</b>	Size A3
Drawn by David Du		
R&D CHK		
DOC CTRL CHK		
MFG ENGR CHK		

Changed by EE2	Date Changed Thursday, July 31, 2003	Time Changed 10:55:23 am	QA CHK	VER A02	Model Number PC8803	Sheet 33 of 67
-------------------	-----------------------------------------	-----------------------------	--------	------------	------------------------	-------------------



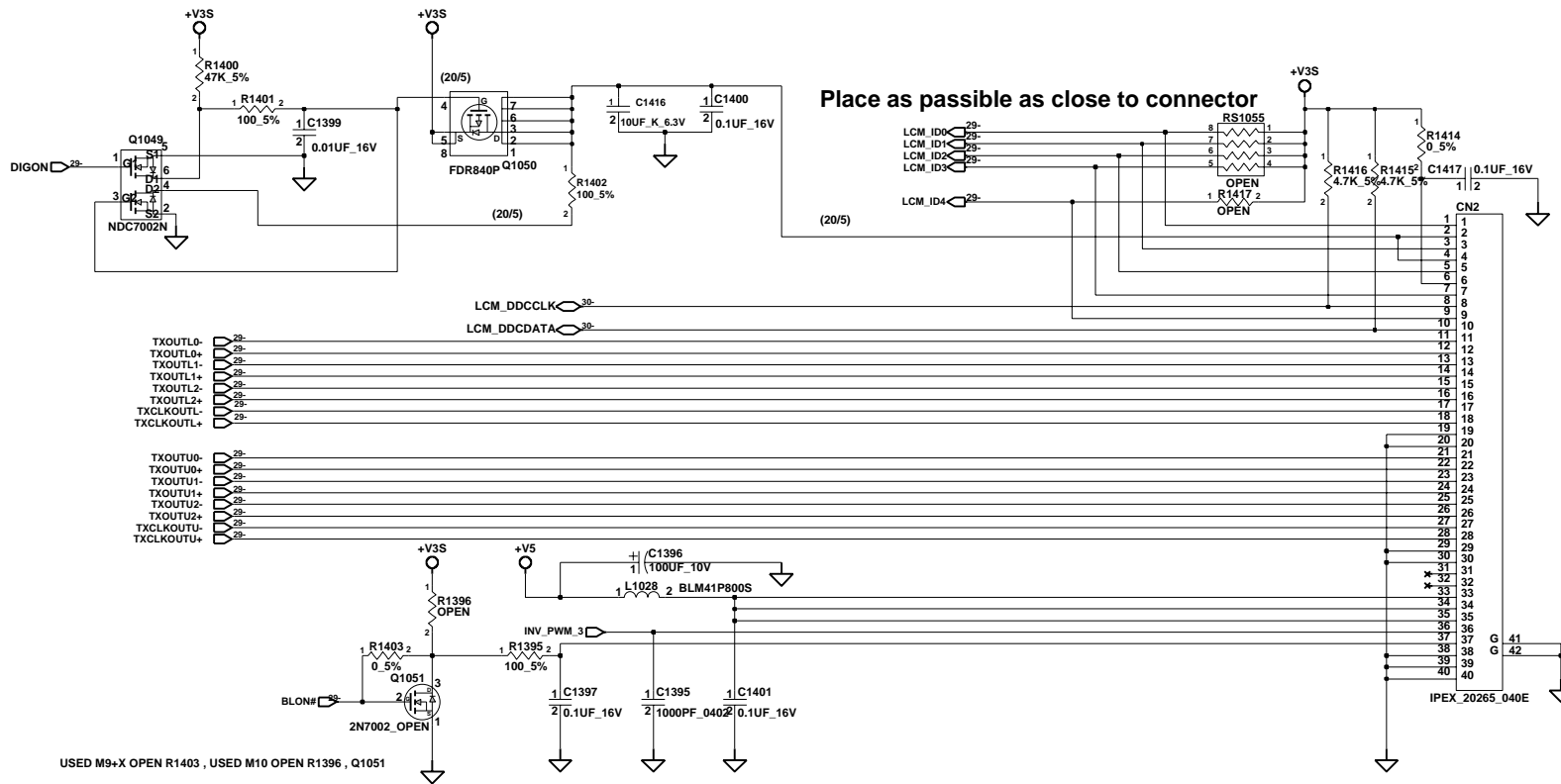
Engineer David Du	<b>INVENTEC</b> TITLE: <b>DIAMOND VIDEO RAM-2</b> Size: <b>A3</b>
Drawn by David Du	
R&D CHK	
DOC CTRL CHK	
MFG ENGR CHK	

Changed by EE2	Date Changed Thursday, July 31, 2003	Time Changed 10:55:28 am	QA CHK	VER A02	Model Number PC8803	Sheet 34	of 67
-------------------	-----------------------------------------	-----------------------------	--------	------------	------------------------	-------------	----------



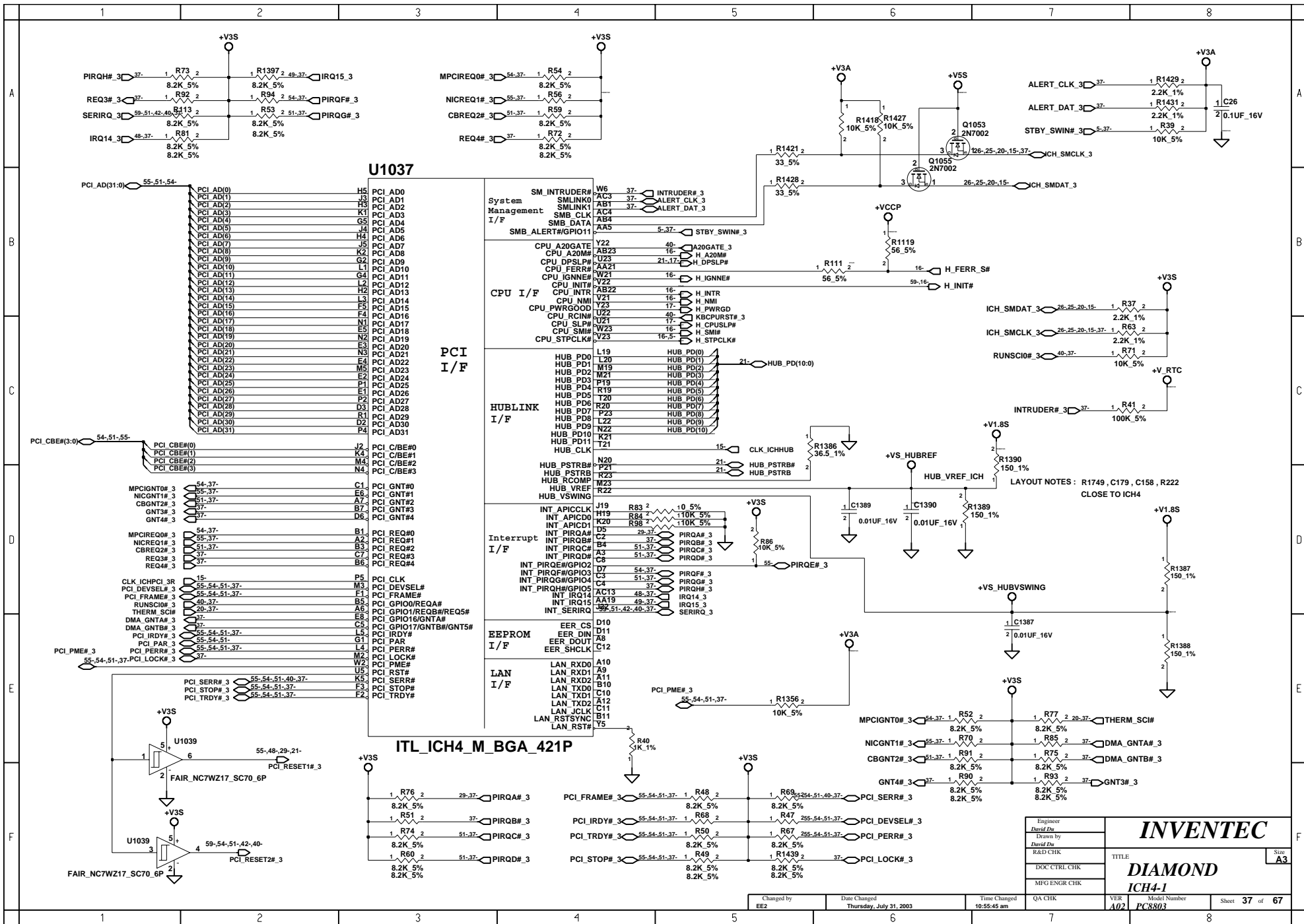
Engineer David Du	<b>INVENTEC</b> TITLE: <b>DIAMOND CRT &amp; SVEDIO CONN</b> Model Number: <b>PC8803</b>
Drawn by David Du	
R&D CHK	
DOC CTRL CHK	
MFG ENGR CHK	

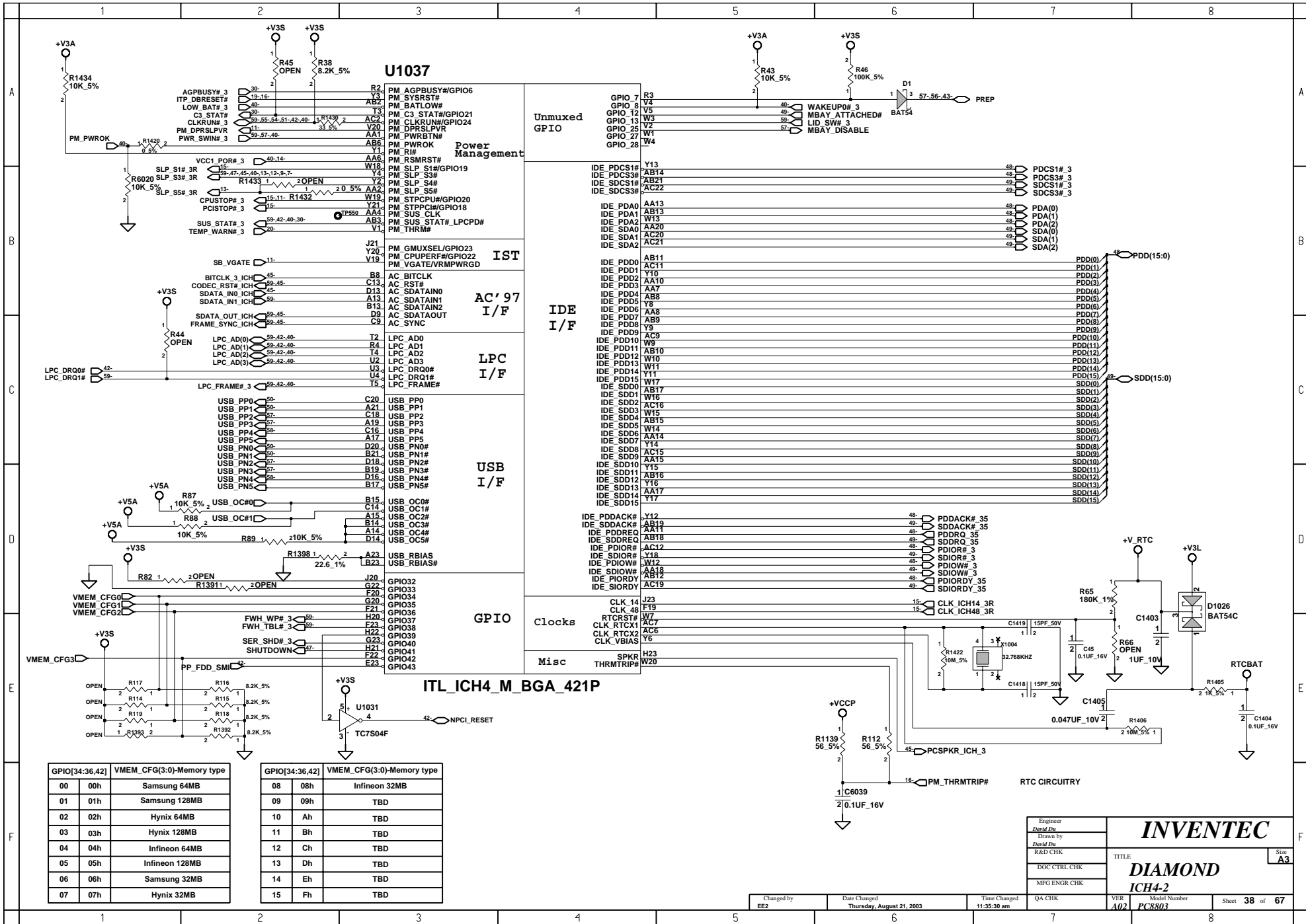
Changed by EE2	Date Changed Friday, August 1, 2003	Time Changed 1:31:54 pm	QA CHK	VER A02	Sheet 35 of 67
-------------------	----------------------------------------	----------------------------	--------	------------	-------------------



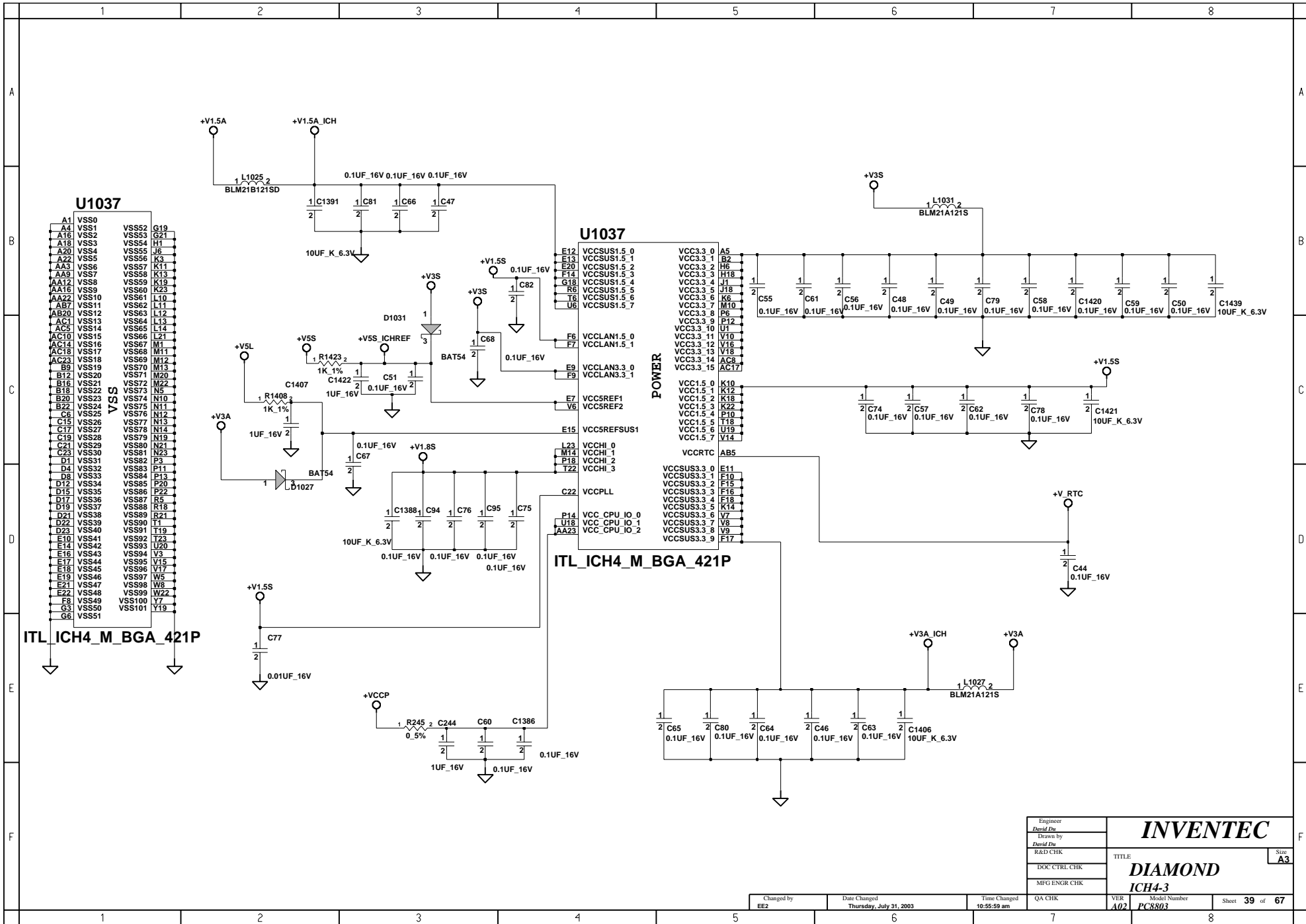
Place as possible as close to connector

Engineer David Du	<b>INVENTEC</b> TITLE: <b>DIAMOND</b> <b>LCD CONN</b> Model Number <b>PC8803</b>	Size <b>A3</b>			
Drawn by David Du					
R&D CHK					
DOC CTRL CHK					
MFG ENGR CHK					
Changed by EE2	Date Changed Thursday, July 31, 2003	Time Changed 10:55:39 am	QA CHK	VER A02	Sheet <b>36</b> of <b>67</b>



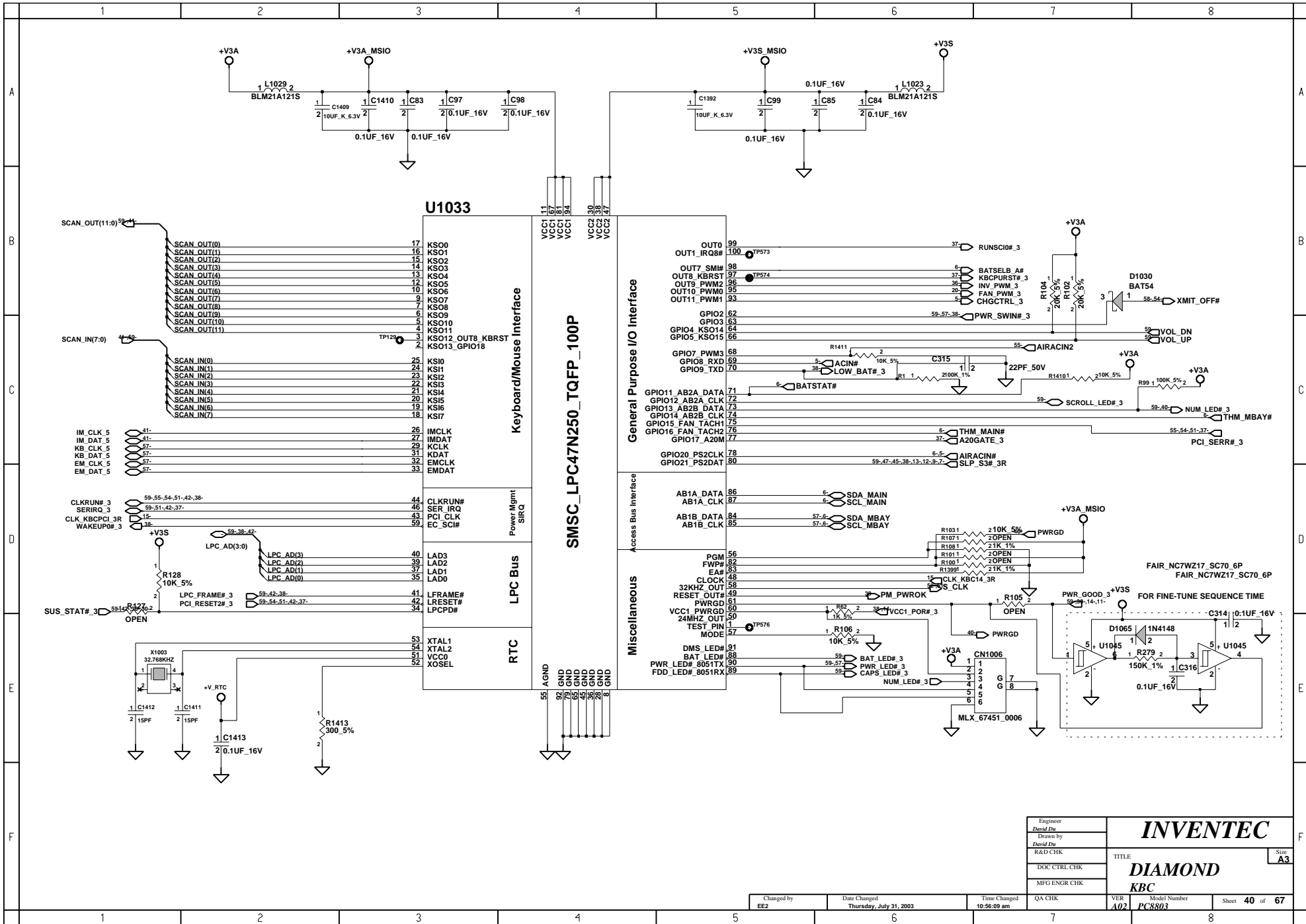


Engineer David Du	<b>INVENTEC</b> TITLE: <b>DIAMOND ICH4-2</b> Size: <b>A3</b>				
Drawn by David Du					
R&D CHK					
DOC CTRL CHK					
MFG ENGR CHK					
Changed by EE2	Date Changed Thursday, August 21, 2003	Time Changed 11:35:30 am	QA CHK	Model Number PC8803	Sheet 38 of 67



Engineer	David Du
Drawn by	David Du
R&D CHK	
DOC CTRL CHK	
MFG ENGR CHK	
<b>INVENTEC</b>	
TITLE: <b>DIAMOND</b>	
<b>ICH4-3</b>	
Model Number	PC8803
Sheet	39 of 67

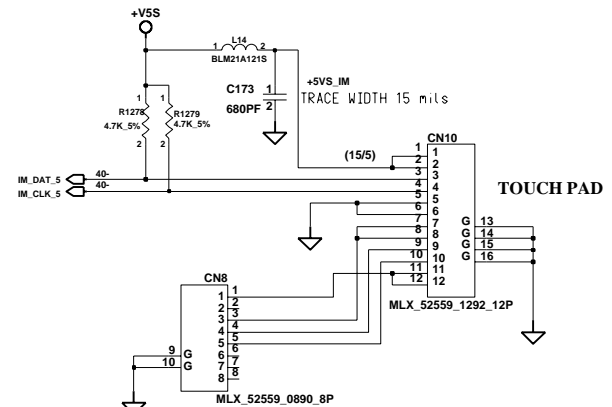
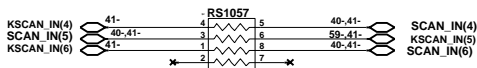
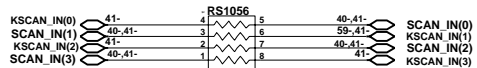
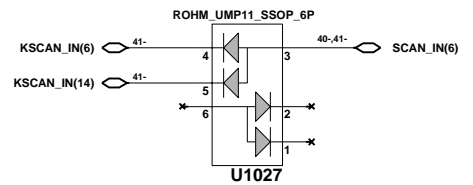
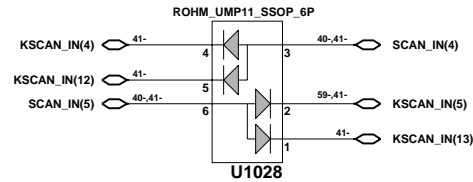
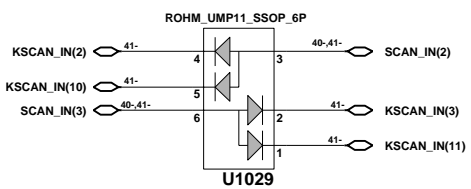
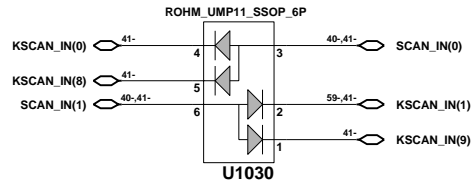
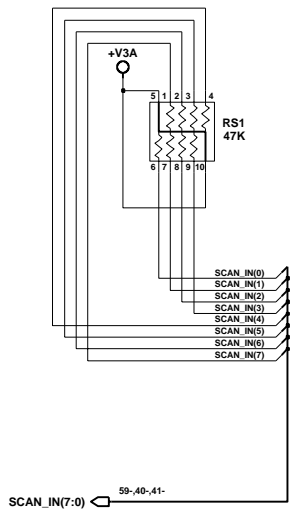
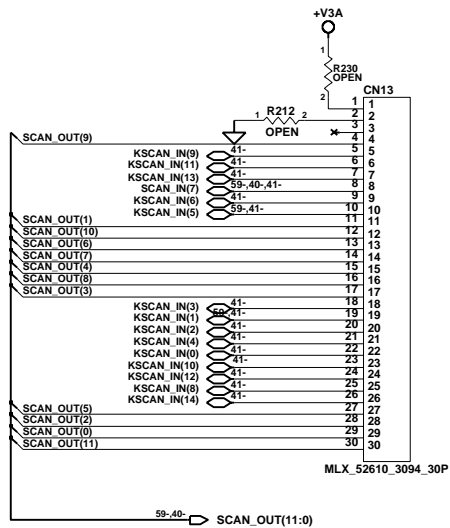
Changed by	Date Changed	Time Changed	QA CHK
EE2	Thursday, July 31, 2003	10:55:59 am	A02



Engineer David Du	<b>INVENTEC</b> TITLE: <b>DIAMOND</b> <b>KBC</b>	Size A3
Drawn by David Du		
R&D CHK		
DOC CTRL CHK		
MFG ENGR CHK		

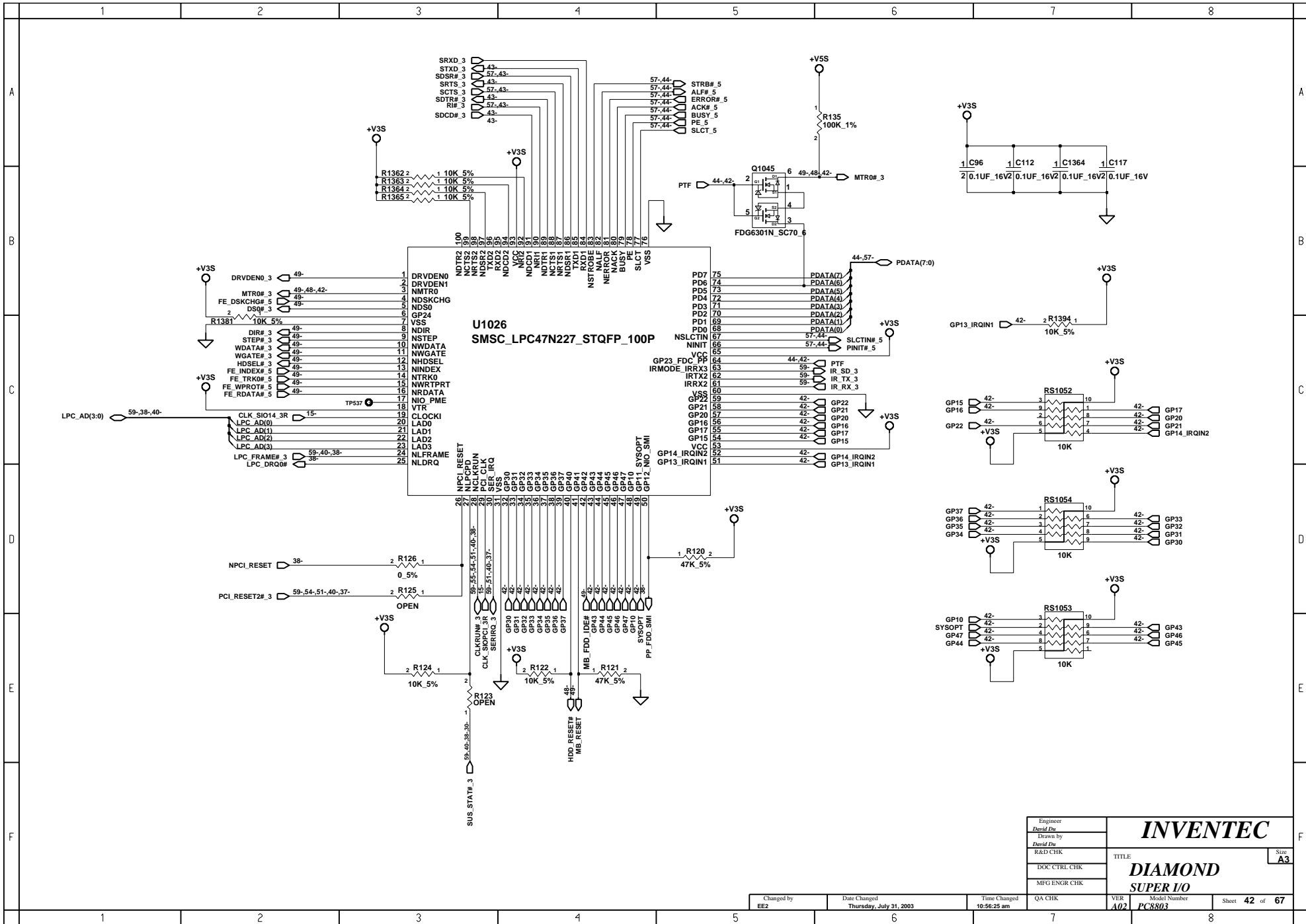
Changed by EE2	Date Changed Thursday, July 31, 2003	Time Changed 10:56:09 am	QA CHK	VER A02	Model Number PC8803	Sheet 40 of 67
-------------------	-----------------------------------------	-----------------------------	--------	------------	------------------------	-------------------





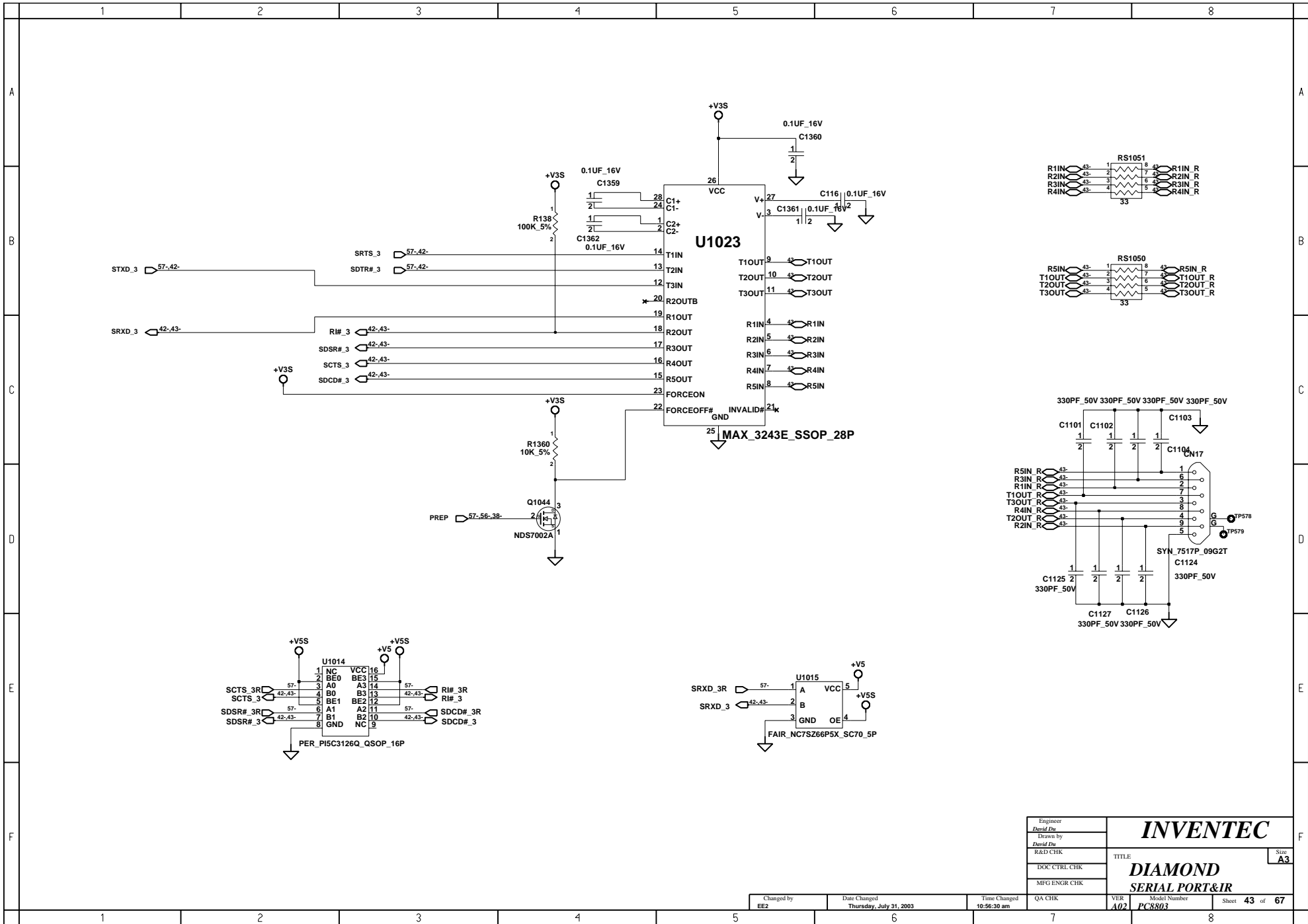
Engineer David Du	<b>INVENTEC</b> TITLE: <b>DIAMOND</b> <b>INT.KBC/POINT DEVICES</b>	Size A3
Drawn by David Du		
R&D CHK		
DOC CTRL CHK		
MFG ENGR CHK		

Changed by EE2	Date Changed Thursday, July 31, 2003	Time Changed 10:56:18 am	QA CHK	VER A02	Model Number PC8803	Sheet 41 of 67
-------------------	-----------------------------------------	-----------------------------	--------	------------	------------------------	-------------------

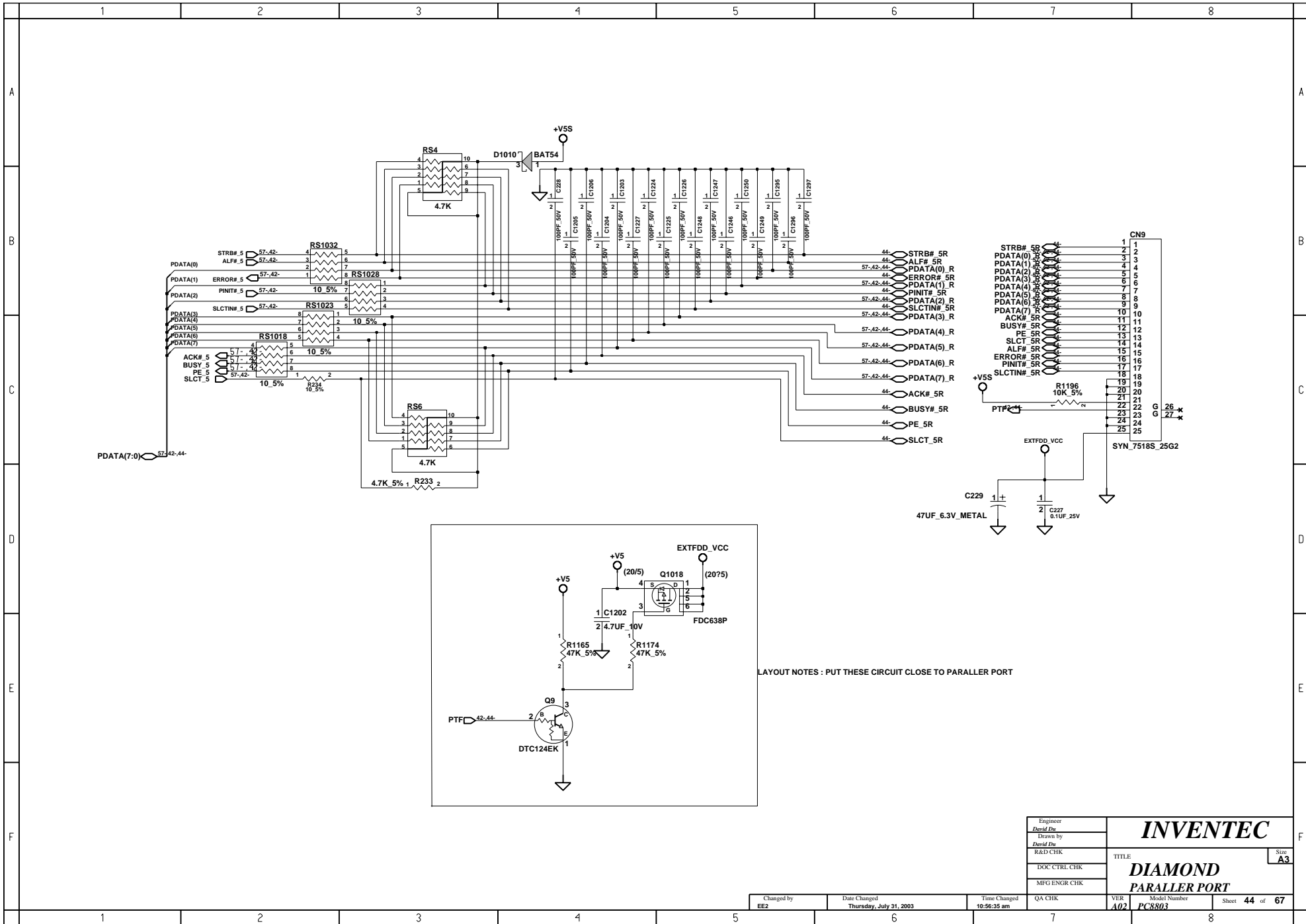


Engineer David Du	<b>INVENTEC</b> TITLE: <b>DIAMOND SUPER I/O</b> Model Number: <b>PC8803</b>	Size: <b>A3</b>
Drawn by David Du		
R&D CHK		
DOC CTRL CHK		
MFG ENGR CHK		

Changed by EE2	Date Changed Thursday, July 31, 2003	Time Changed 10:56:25 am	QA CHK	VER A02	Sheet <b>42</b> of <b>67</b>
-------------------	-----------------------------------------	-----------------------------	--------	------------	------------------------------

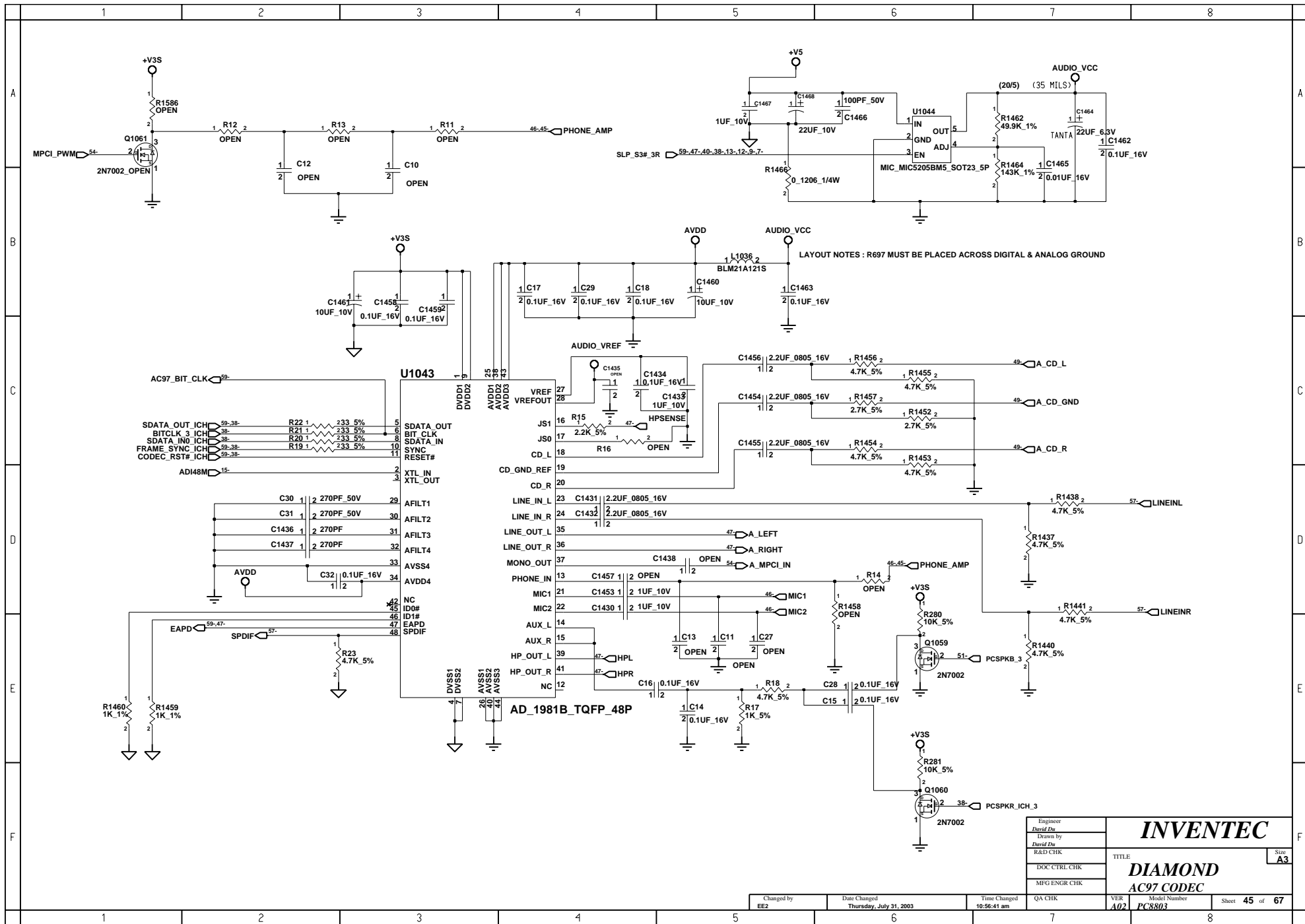


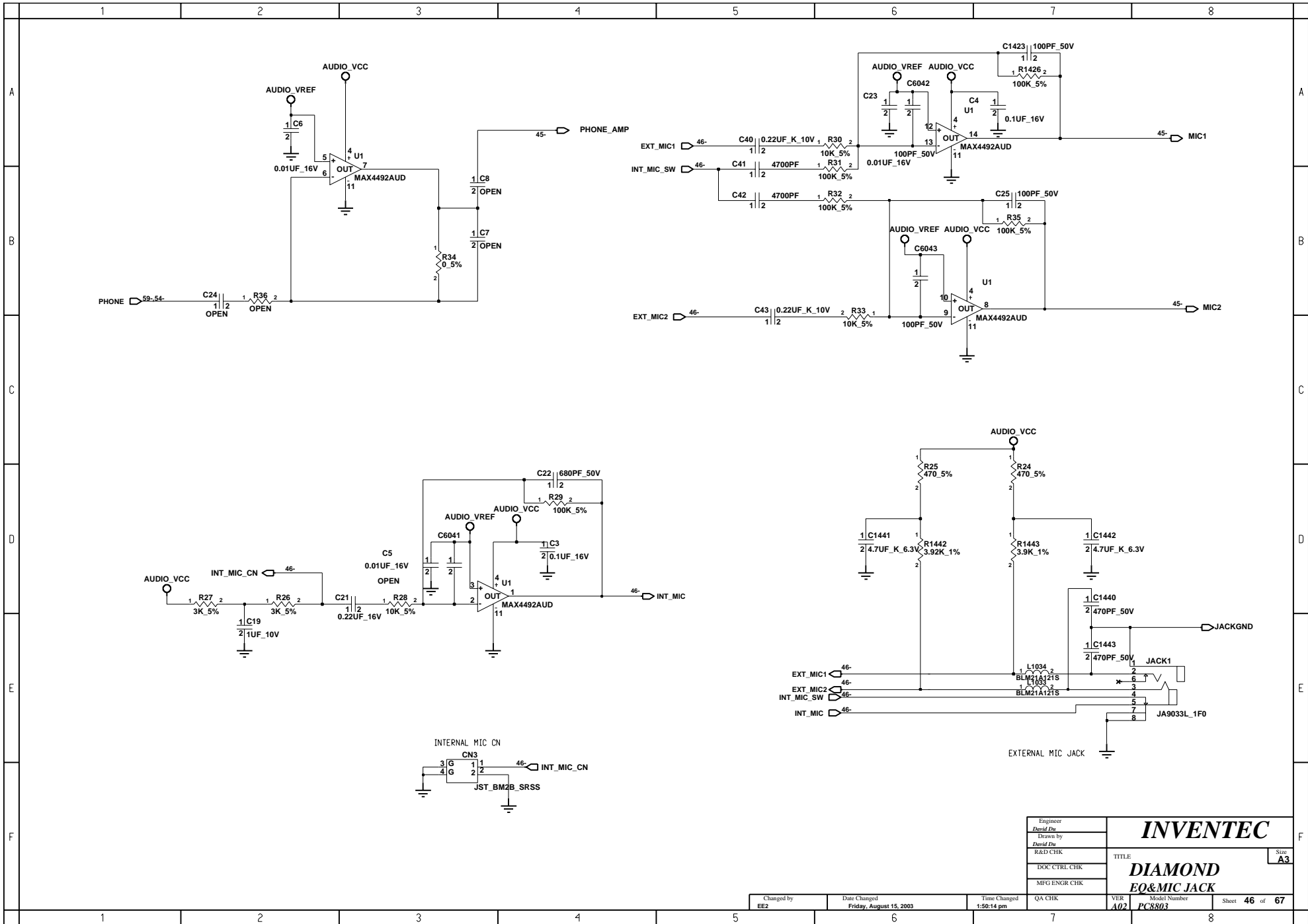
Engineer <i>David Du</i>	<b>INVENTEC</b>  TITLE: <b>DIAMOND SERIAL PORT&amp;IR</b>	Size A3				
Drawn by <i>David Du</i>						
R&D CHK						
DOC CTRL CHK						
MFG ENGR CHK						
Changed by EE2	Date Changed Thursday, July 31, 2003	Time Changed 10:56:30 am	QA CHK	VER A02	Model Number PC8803	Sheet 43 of 67



LAYOUT NOTES : PUT THESE CIRCUIT CLOSE TO PARALLER PORT

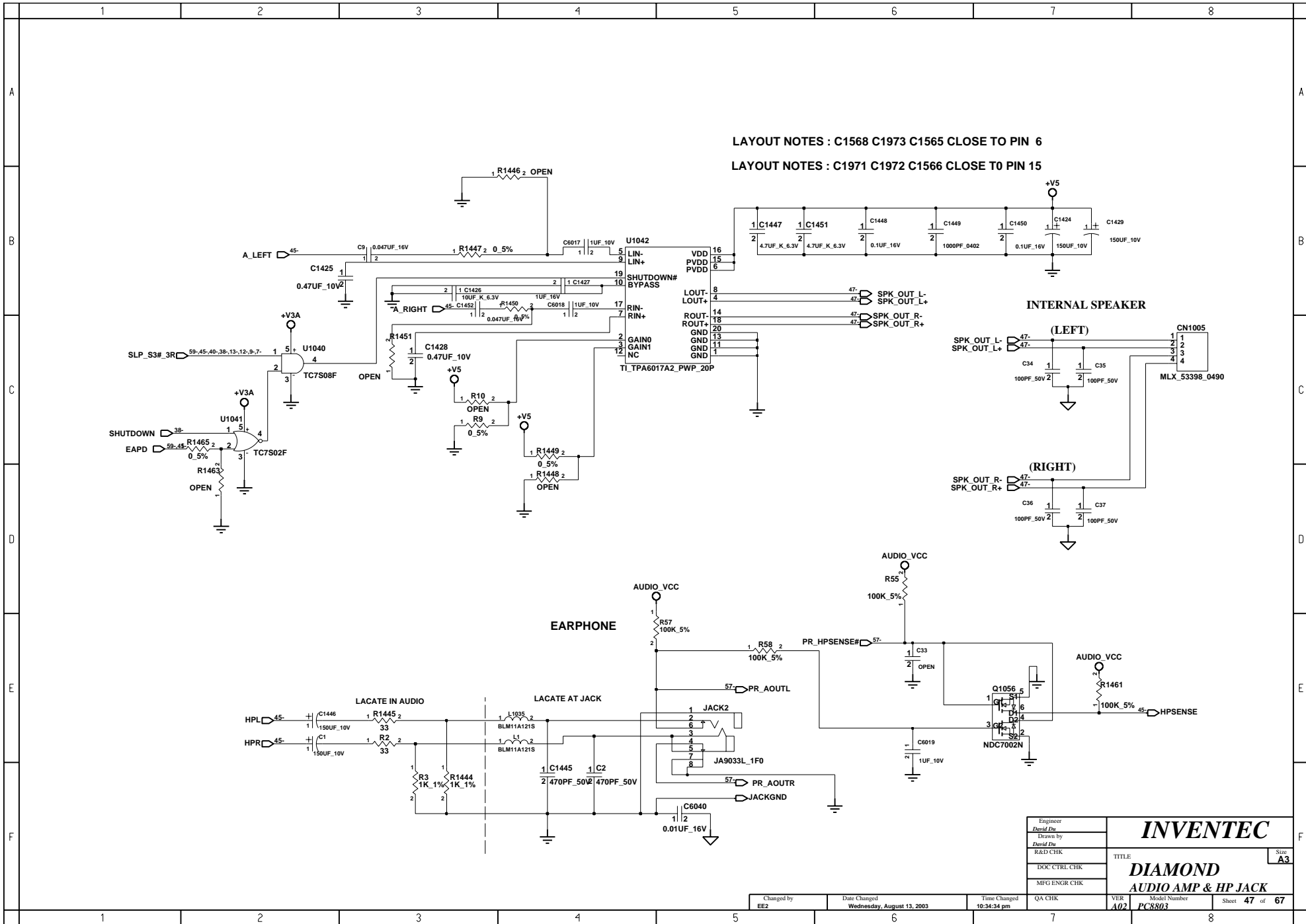
Engineer David Du	<b>INVENTEC</b> TITLE: <b>DIAMOND PARALLEL PORT</b> Model Number: <b>PC8803</b>
Drawn by David Du	
R&D CHK	
DOC CTRL CHK	
MFG ENGR CHK	





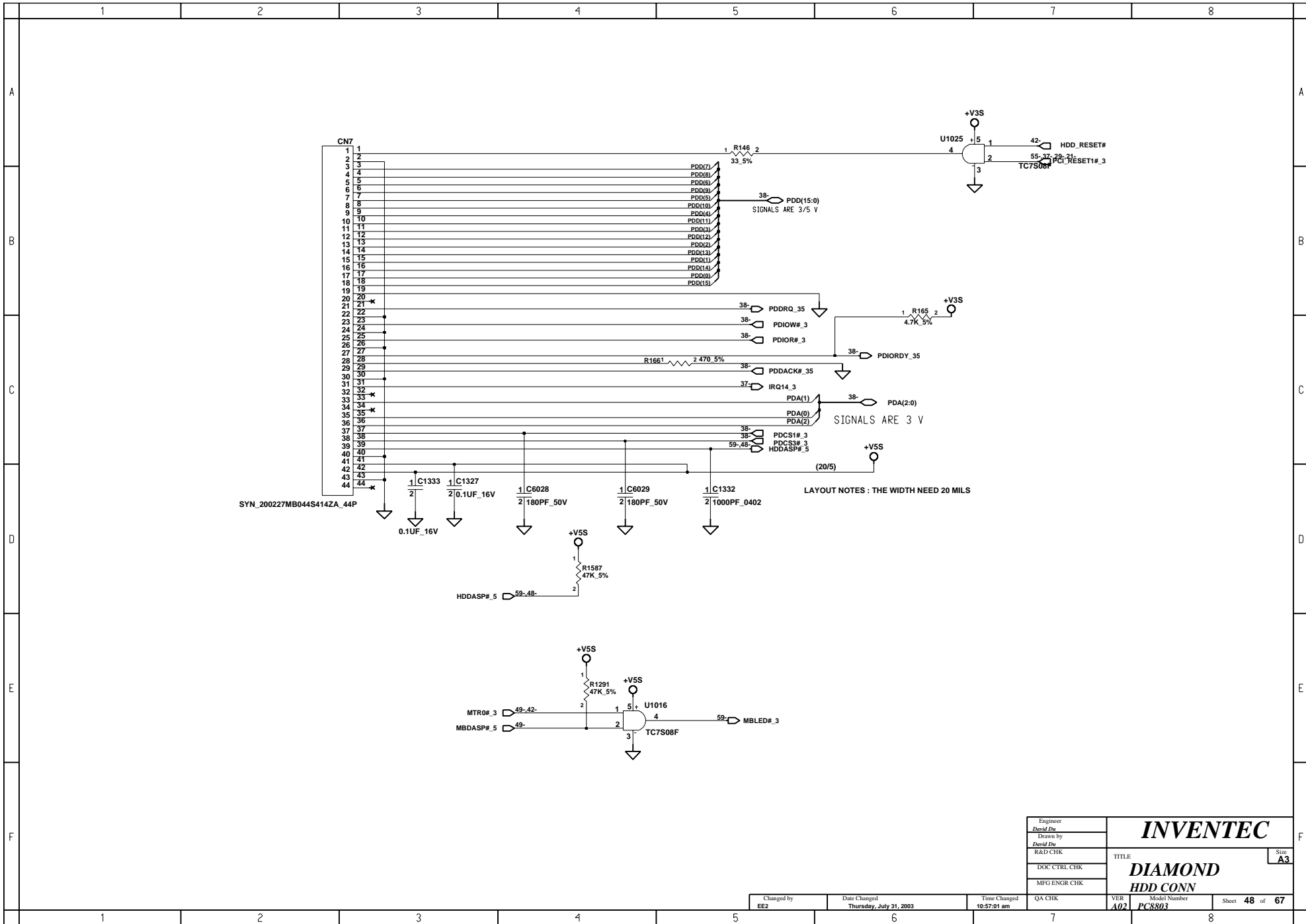
Engineer David Du	<b>INVENTEC</b> TITLE: <b>DIAMOND EQ &amp; MIC JACK</b>	Size A3
Drawn by David Du		
R&D CHK		
DOC CTRL CHK		
MFG ENGR CHK		

Changed by EE2	Date Changed Friday, August 15, 2003	Time Changed 1:50:14 pm	QA CHK	VER A02	Model Number PC8803	Sheet 46 of 67
-------------------	-----------------------------------------	----------------------------	--------	------------	------------------------	-------------------



Engineer David Du	<b>INVENTEC</b> <b>DIAMOND</b> <b>AUDIO AMP &amp; HP JACK</b>
Drawn by David Du	
R&D CHK	
DOC CTRL CHK	
MFG ENGR CHK	
TITLE	Size A3

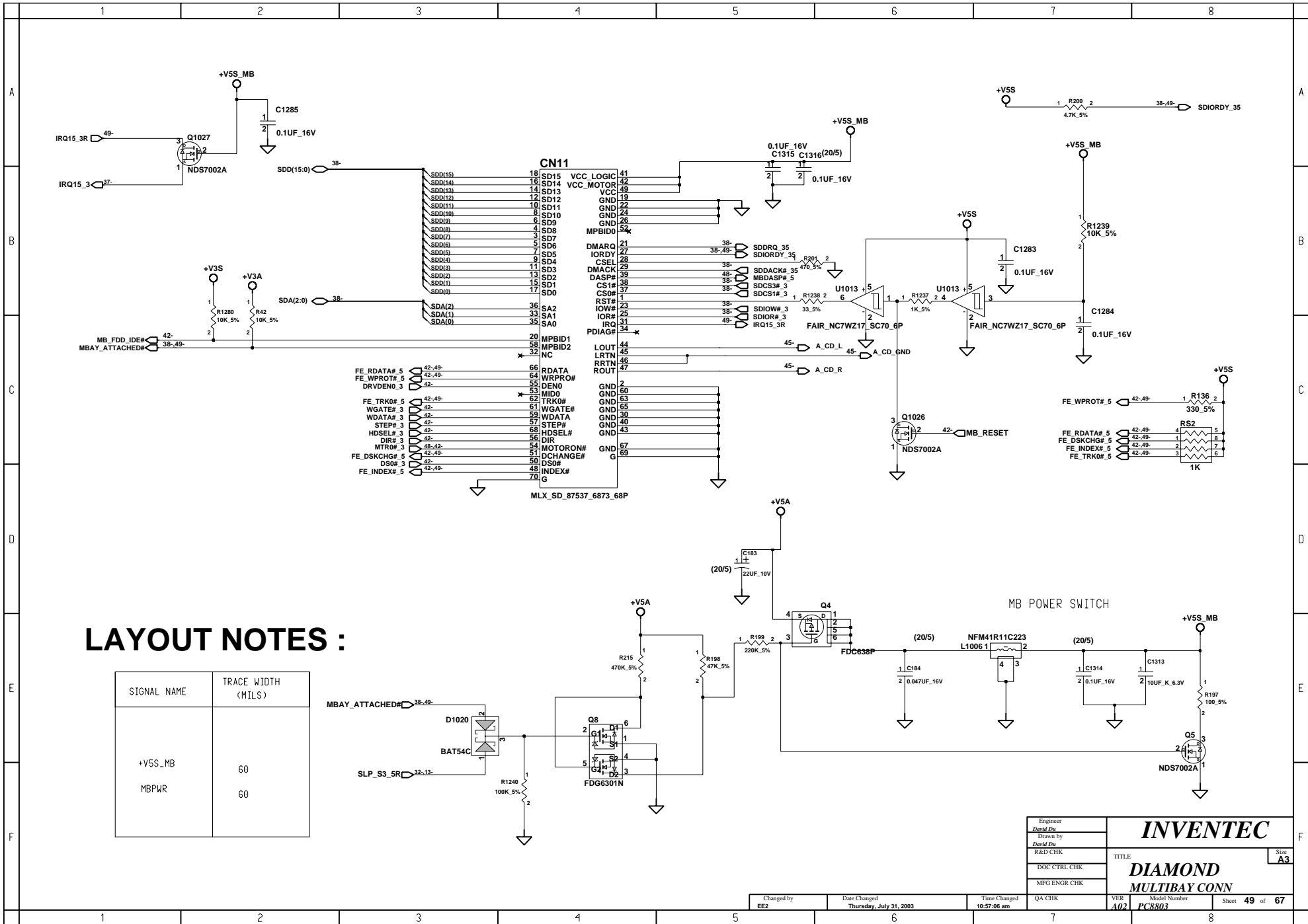
Changed by EE2	Date Changed Wednesday, August 13, 2003	Time Changed 10:34:34 pm	QA CHK	VER A02	Model Number PC8803	Sheet 47 of 67
-------------------	--------------------------------------------	-----------------------------	--------	------------	------------------------	-------------------



Engineer <i>David Du</i>	<b>INVENTEC</b>  <b>DIAMOND</b> <b>HDD CONN</b>	Size A3
Drawn by <i>David Du</i>		TITLE
R&D CHK		
DOC CTRL CHK		
MFG ENGR CHK		

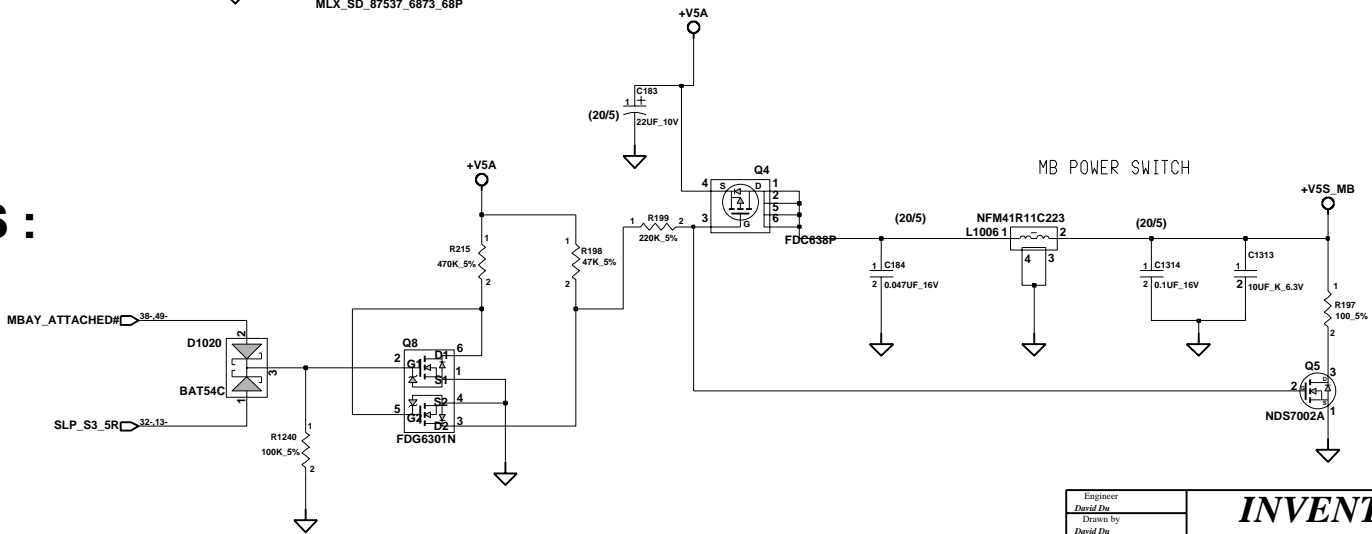
Changed by EE2	Date Changed Thursday, July 31, 2003	Time Changed 10:57:01 am	QA CHK	VER A02	Model Number PC8803	Sheet 48 of 67
-------------------	-----------------------------------------	-----------------------------	--------	------------	------------------------	-------------------





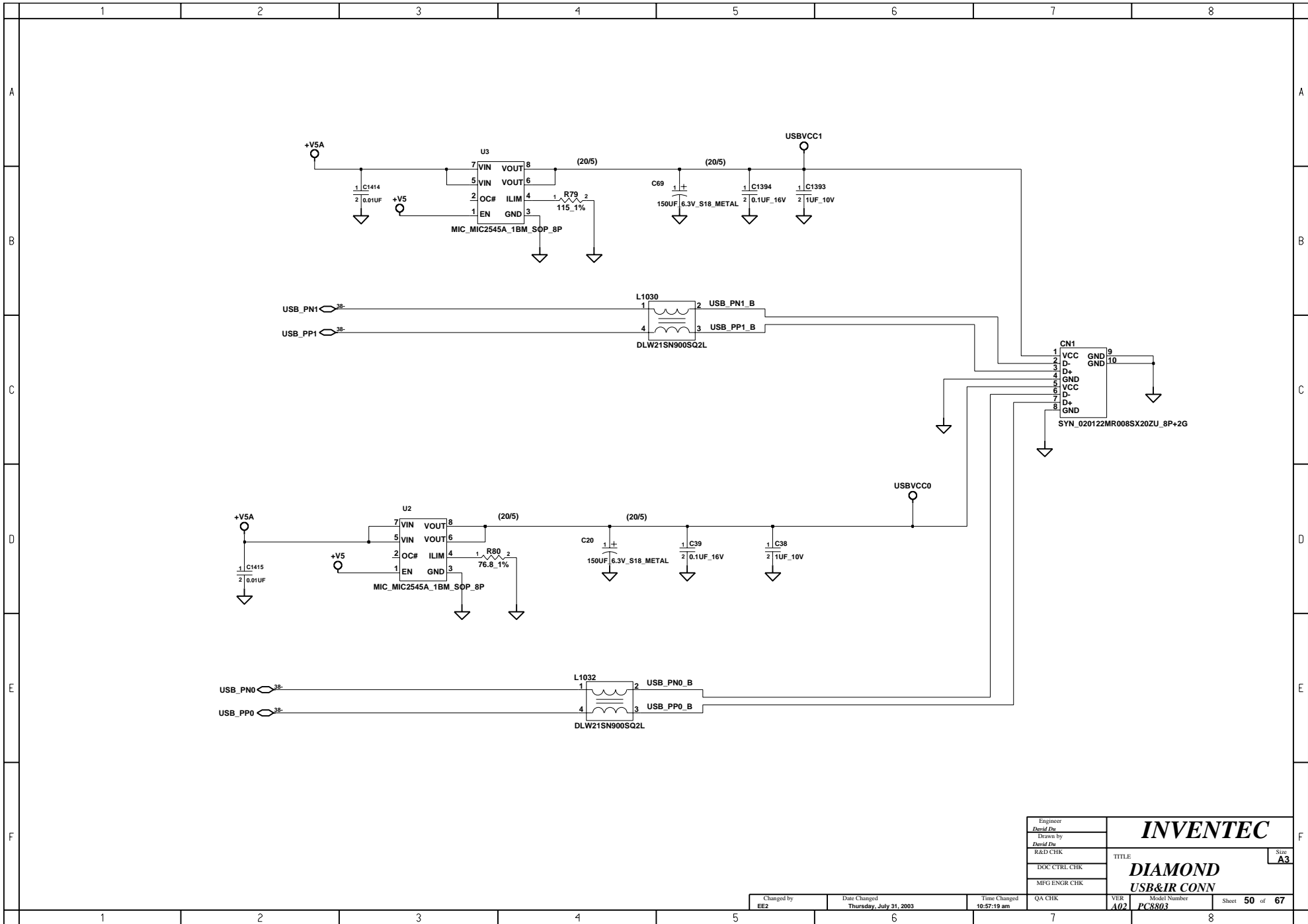
**LAYOUT NOTES :**

SIGNAL NAME	TRACE WIDTH (MILS)
+VSS_MB	60
MBPWR	60



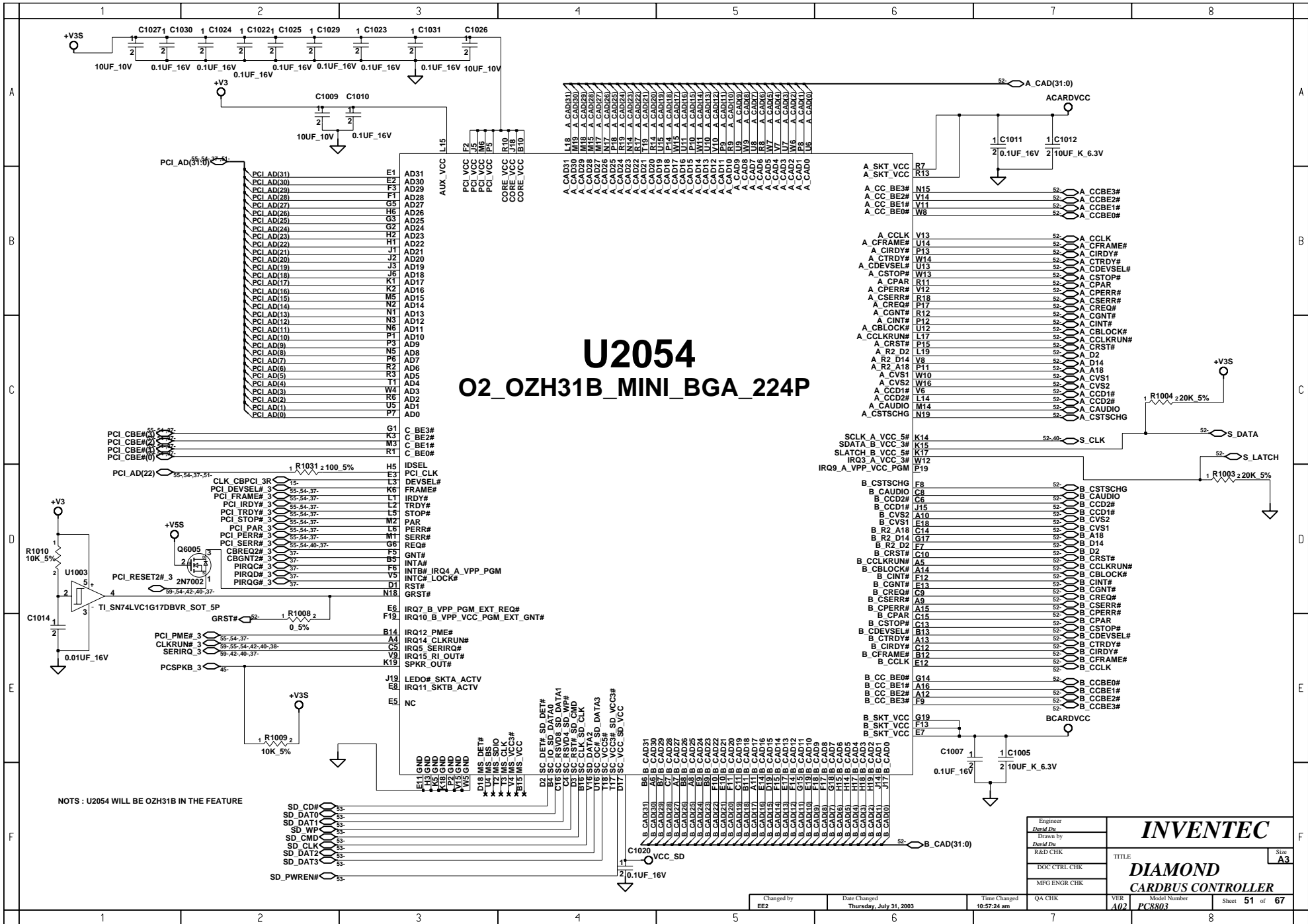
Engineer David Du	<b>INVENTEC</b> TITLE: <b>DIAMOND MULTIBAY CONN</b> Model Number: <b>PC8803</b>
Drawn by David Du	
R&D CHK	
DOC CTRL CHK	
MFG ENGR CHK	

Changed by EE2	Date Changed Thursday, July 31, 2003	Time Changed 10:57:06 am	QA CHK	VER A02	Sheet 49 of 67
-------------------	-----------------------------------------	-----------------------------	--------	------------	-------------------



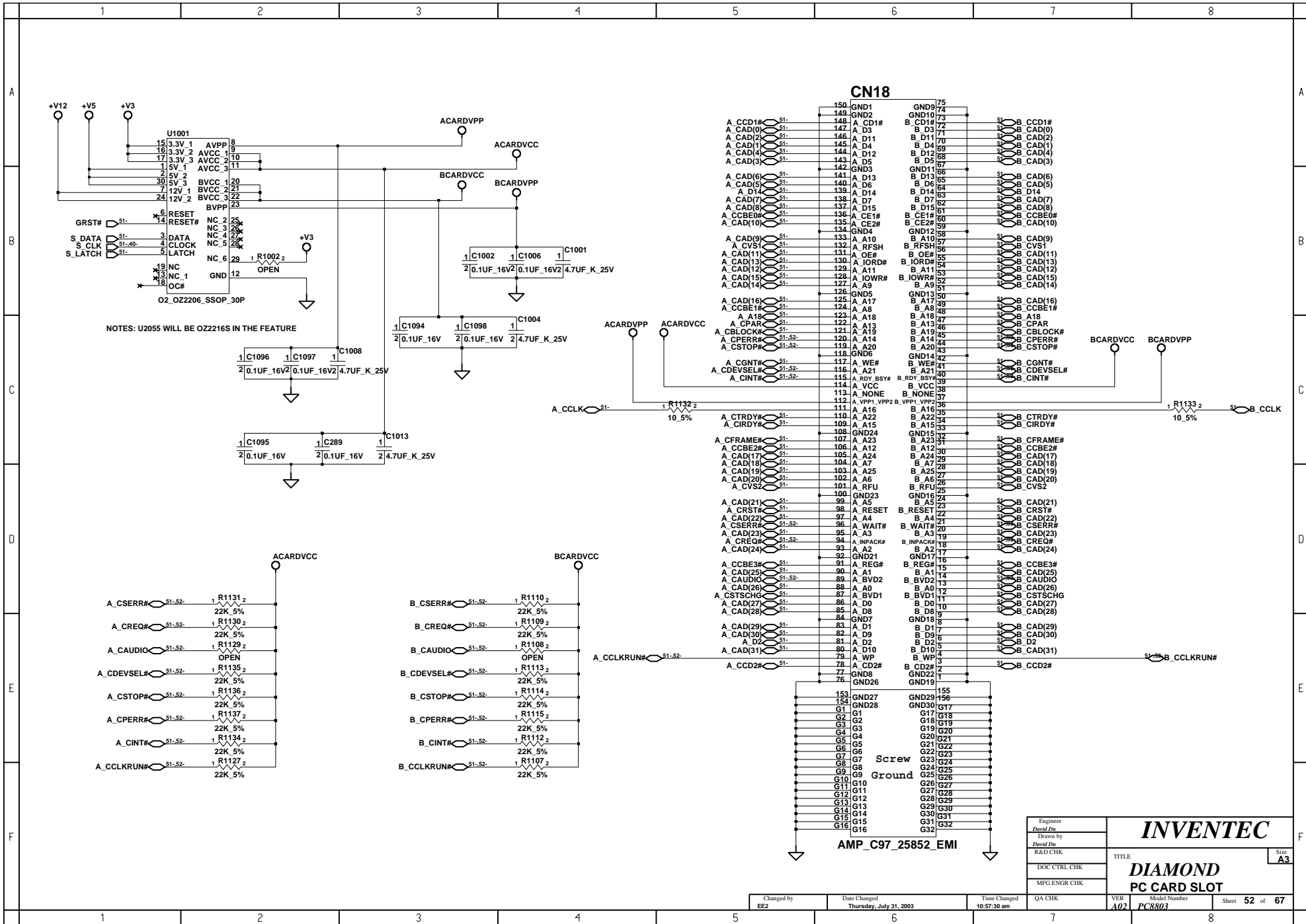
Engineer David Du	<b>INVENTEC</b> TITLE: <b>DIAMOND</b> <b>USB&amp;IR CONN</b> Model Number <b>PC8803</b>	Size A3
Drawn by David Du		
R&D CHK		
DOC CTRL CHK		
MFG ENGR CHK		

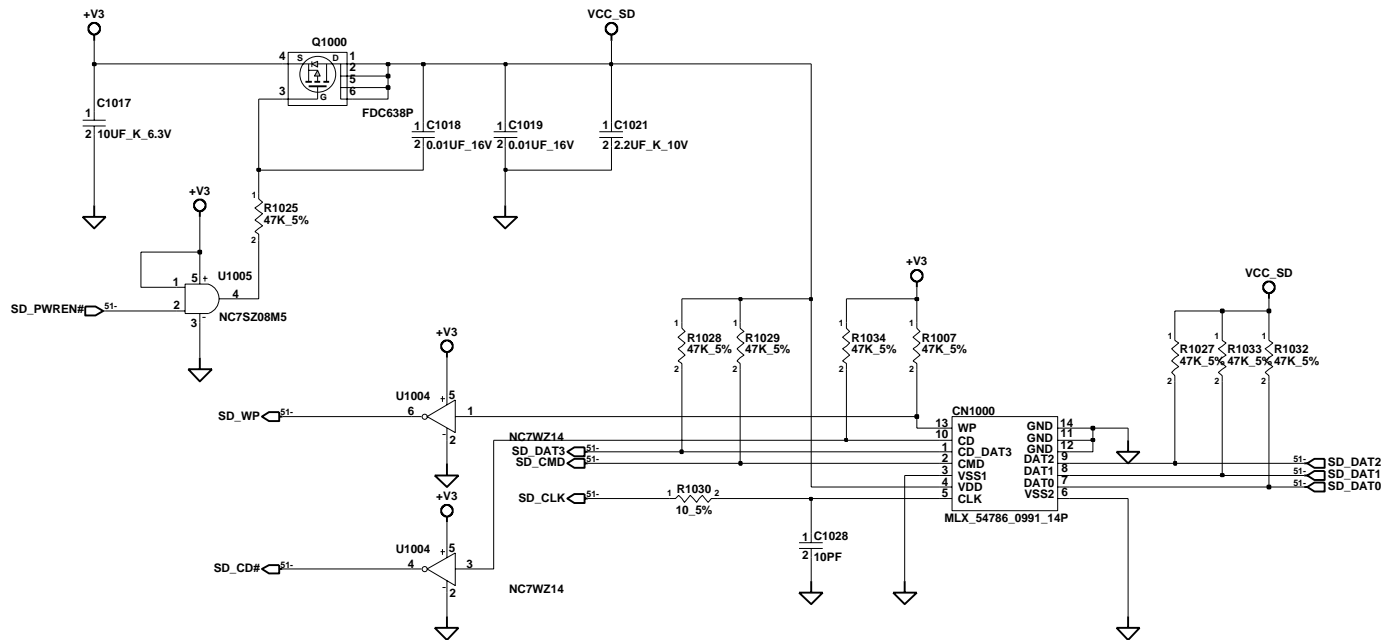
Changed by EE2	Date Changed Thursday, July 31, 2003	Time Changed 10:57:19 am	QA CHK	VER A02	Sheet 50 of 67
-------------------	-----------------------------------------	-----------------------------	--------	------------	-------------------



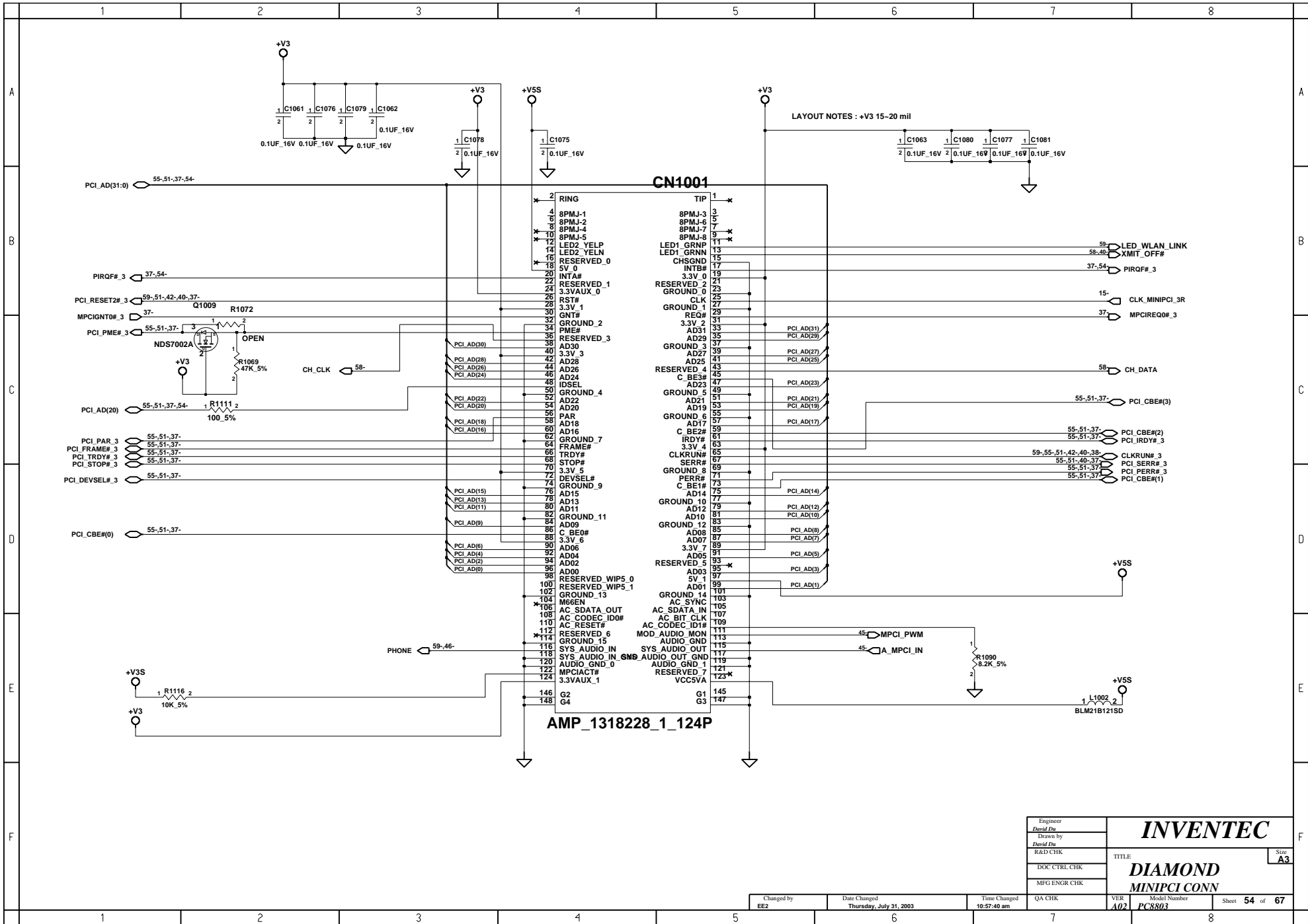
Engineer David Du	<b>INVENTEC</b> TITLE: <b>DIAMOND</b> <b>CARDBUS CONTROLLER</b> Model Number <b>PC8803</b>	Sheet 51 of 67
Drawn by David Du		
R&D CHK		
DOC CTRL CHK		
MFG ENGR CHK		

Changed by EE2	Date Changed Thursday, July 31, 2003	Time Changed 10:57:24 am	QA CHK	VER A02
-------------------	-----------------------------------------	-----------------------------	--------	------------



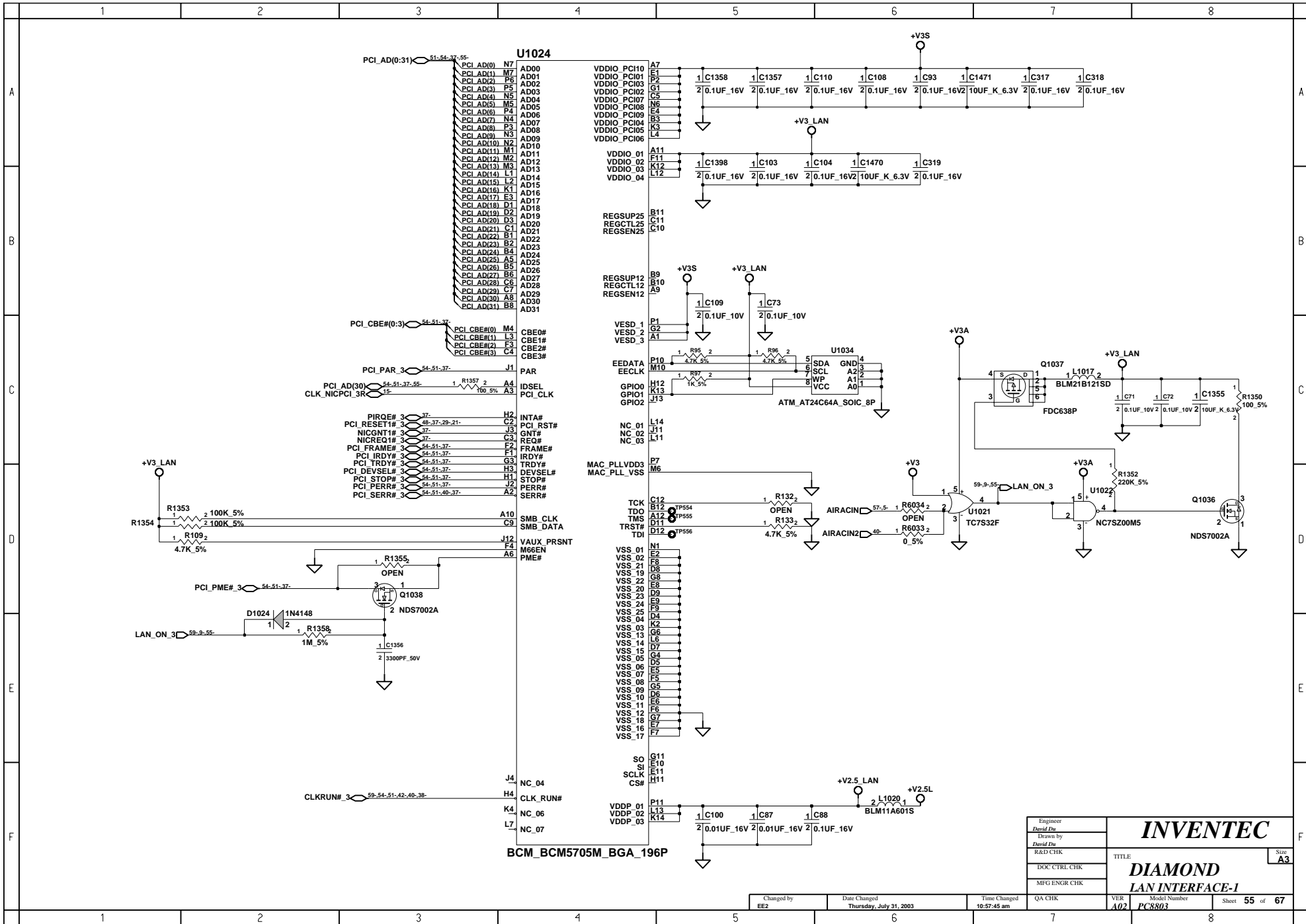


Engineer <i>David Du</i>	<b>INVENTEC</b> TITLE: <b>DIAMOND</b> <b>SD CARD CONN</b> Size <b>A3</b>					
Drawn by <i>David Du</i>						
R&D CHK						
DOC CTRL CHK						
MFG ENGR CHK						
Changd by EE2	Date Changd Thursday, July 31, 2003	Time Changd 10:57:35 am	QA CHK	VER A02	Model Number PC8803	Sheet 53 of 67



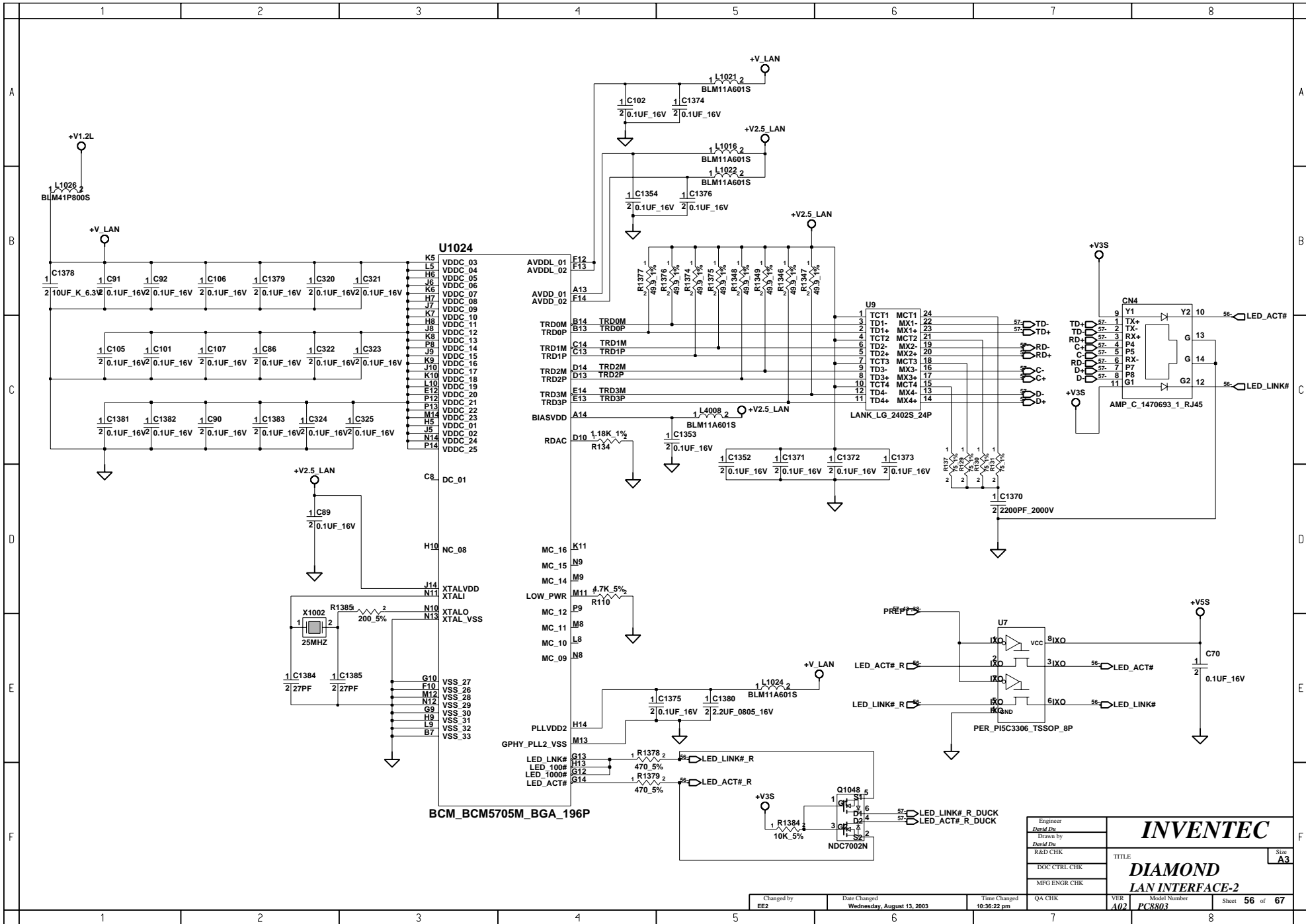
Engineer David Du	<b>INVENTEC</b> TITLE: <b>DIAMOND MINIPCI CONN</b> Size: <b>A3</b>
Drawn by David Du	
R&D CHK	
DOC CTRL CHK	
MFG ENGR CHK	

Changed by EE2	Date Changed Thursday, July 31, 2003	Time Changed 10:57:40 am	QA CHK	VER A02	Model Number PC8803	Sheet 54	Total 67
-------------------	-----------------------------------------	-----------------------------	--------	------------	------------------------	-------------	-------------



Engineer David Du	<b>INVENTEC</b> TITLE: <b>DIAMOND LAN INTERFACE-1</b> Model Number: <b>PC8803</b>	Size: <b>A3</b>
Drawn by David Du		
R&D CHK		
DOC CTRL CHK		
MFG ENGR CHK		

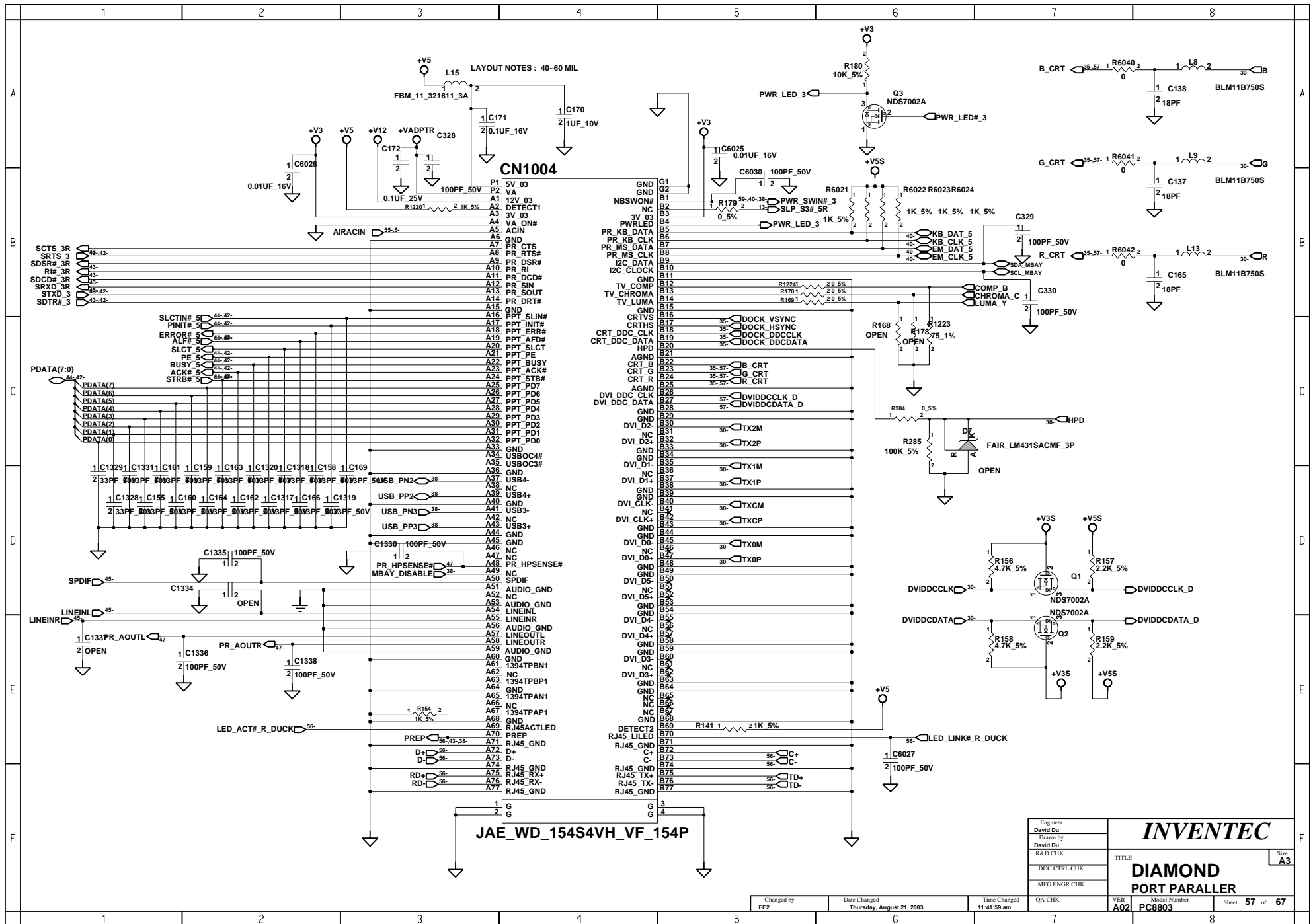
Changed by EE2	Date Changed Thursday, July 31, 2003	Time Changed 10:57:45 am	QA CHK	VER A02	Sheet 55 of 67
-------------------	-----------------------------------------	-----------------------------	--------	------------	-------------------

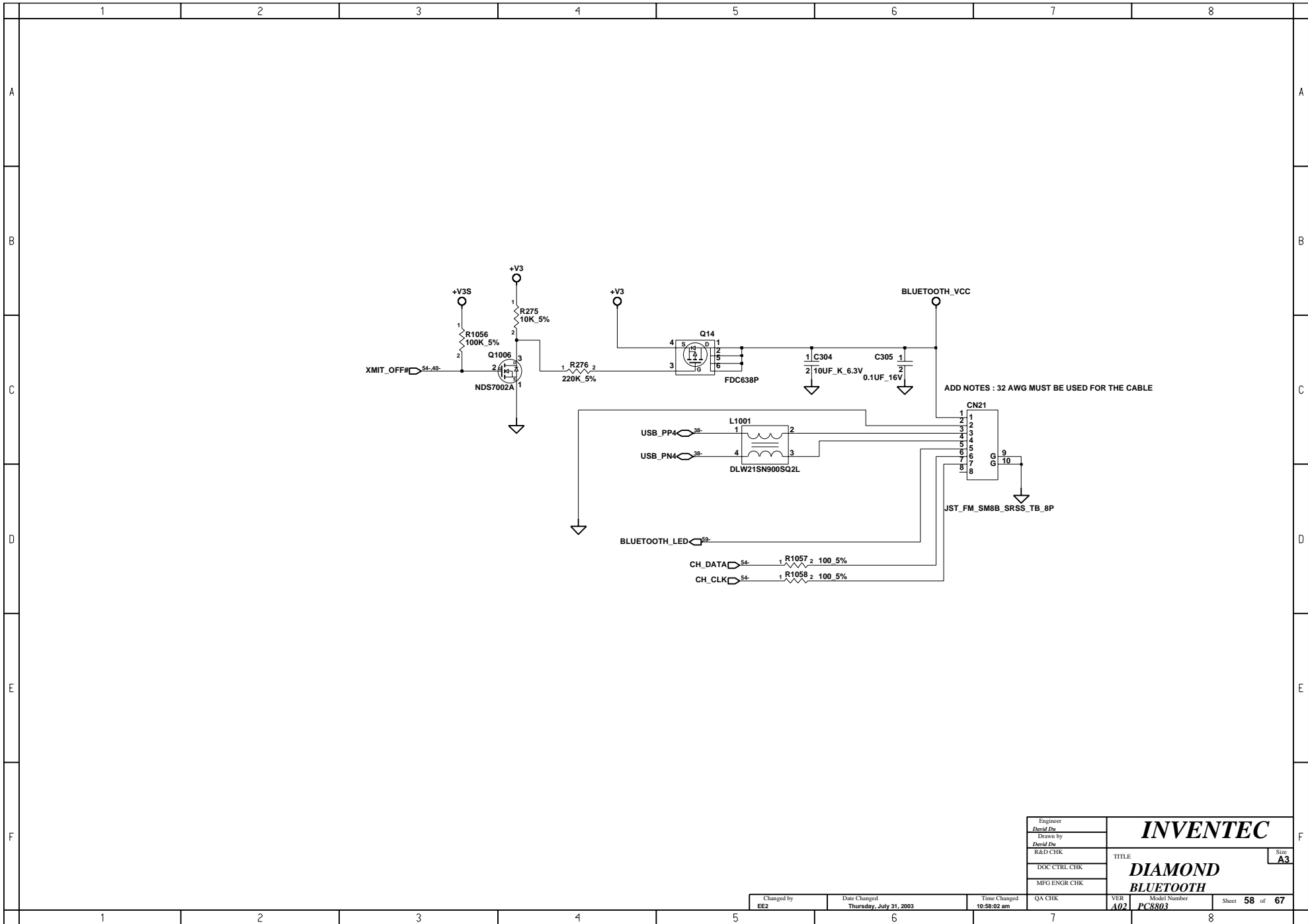


Engineer David Du	<b>INVENTEC</b> TITLE: <b>DIAMOND</b> <b>LAN INTERFACE-2</b>	Size A3
Drawn by David Du		
R&D CHK		
DOC CTRL CHK		
MFG ENGR CHK		

Changed by EE2	Date Changed Wednesday, August 13, 2003	Time Changed 10:36:22 pm	QA CHK	VER A02	Model Number PC8803	Sheet 56 of 67
-------------------	--------------------------------------------	-----------------------------	--------	------------	------------------------	-------------------

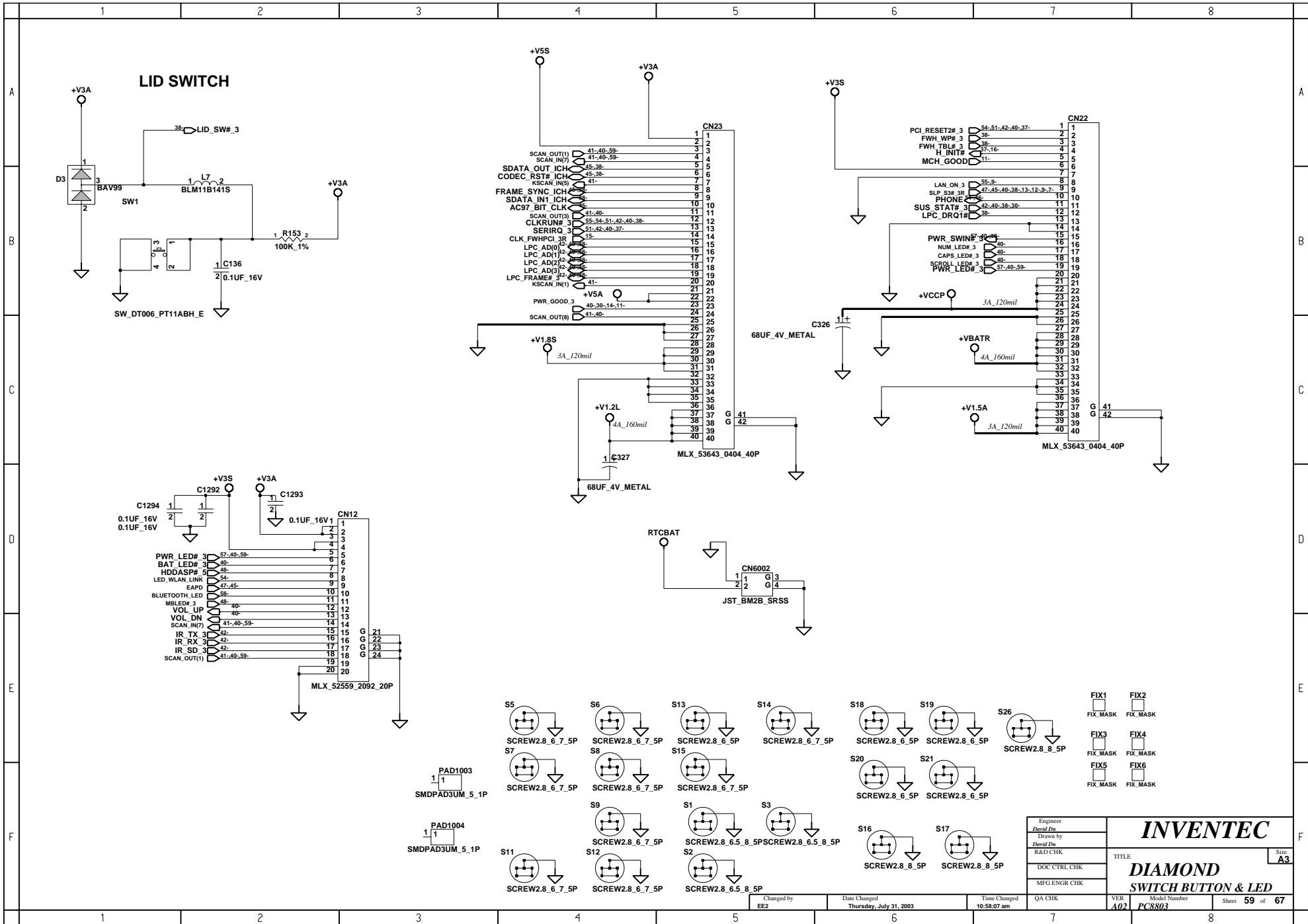






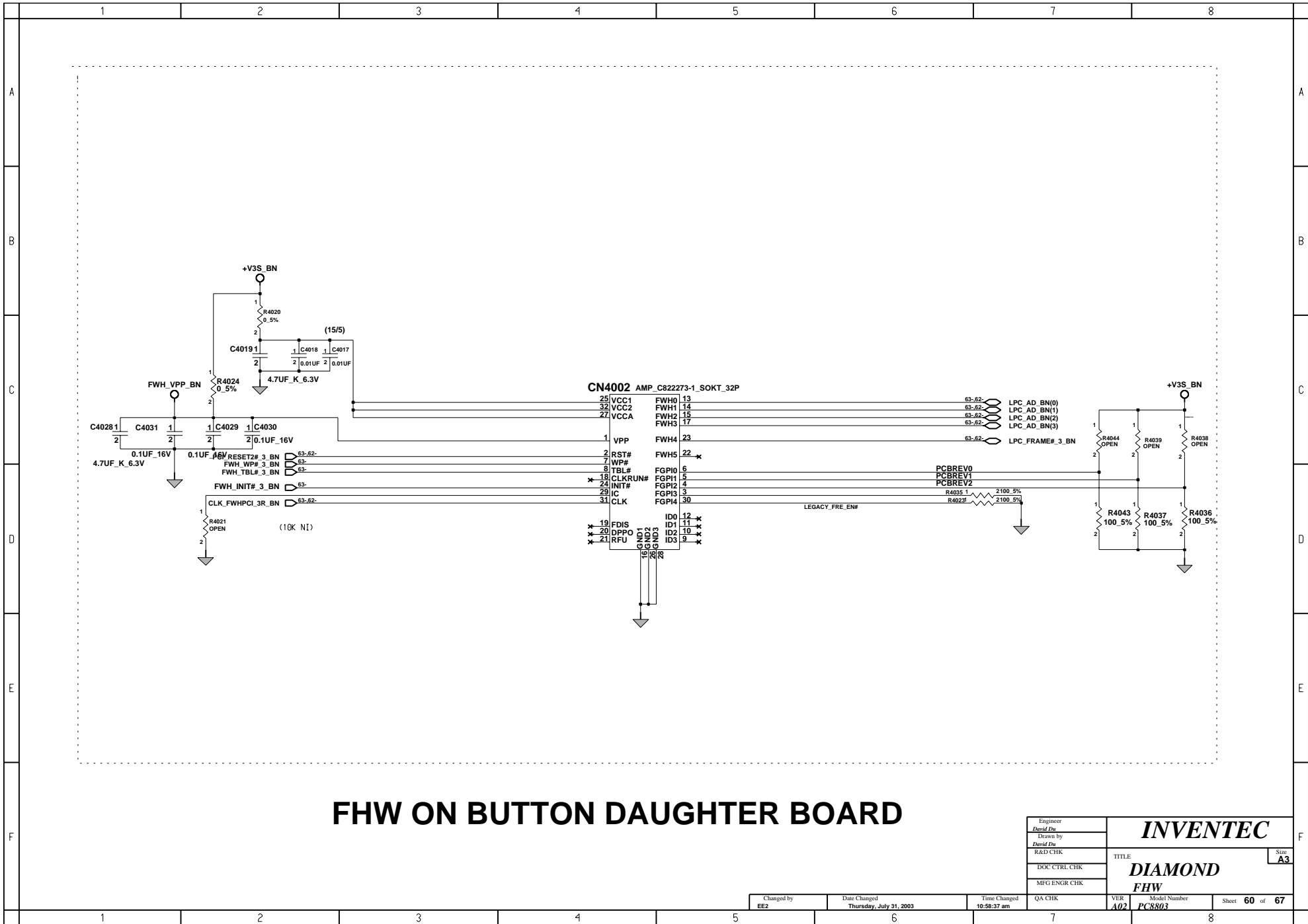
Engineer <i>David Du</i>	<b>INVENTEC</b>
Drawn by <i>David Du</i>	
R&D CHK	
DOC CTRL CHK	
MFG ENGR CHK	
TITLE <b>DIAMOND BLUETOOTH</b>	Size <b>A3</b>

Changed by <b>EE2</b>	Date Changed <b>Thursday, July 31, 2003</b>	Time Changed <b>10:58:02 am</b>	QA CHK	VER <b>A021</b>	Model Number <b>PC8803</b>	Sheet <b>58</b> of <b>67</b>
--------------------------	------------------------------------------------	------------------------------------	--------	--------------------	-------------------------------	------------------------------



Engineer David Du	<b>INVENTEC</b> TITLE: <b>DIAMOND SWITCH BUTTON &amp; LED</b> Model Number: <b>PC8803</b> Sheet <b>59</b> of <b>67</b>
Drawn by David Du	
R&D CHK	
DOC CTRL CHK	
MFG ENGR CHK	
QA CHK	

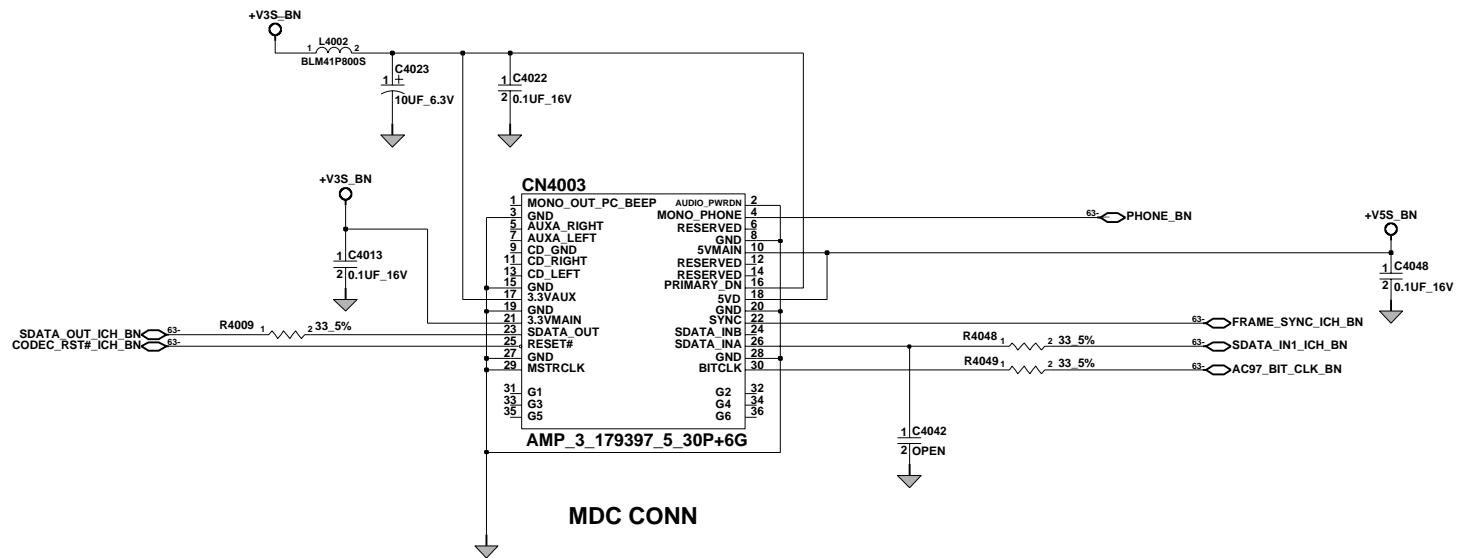
Changed by: EE2 Date Changed: Thursday, July 31, 2003 Time Changed: 10:58:07 am



# FWH ON BUTTON DAUGHTER BOARD

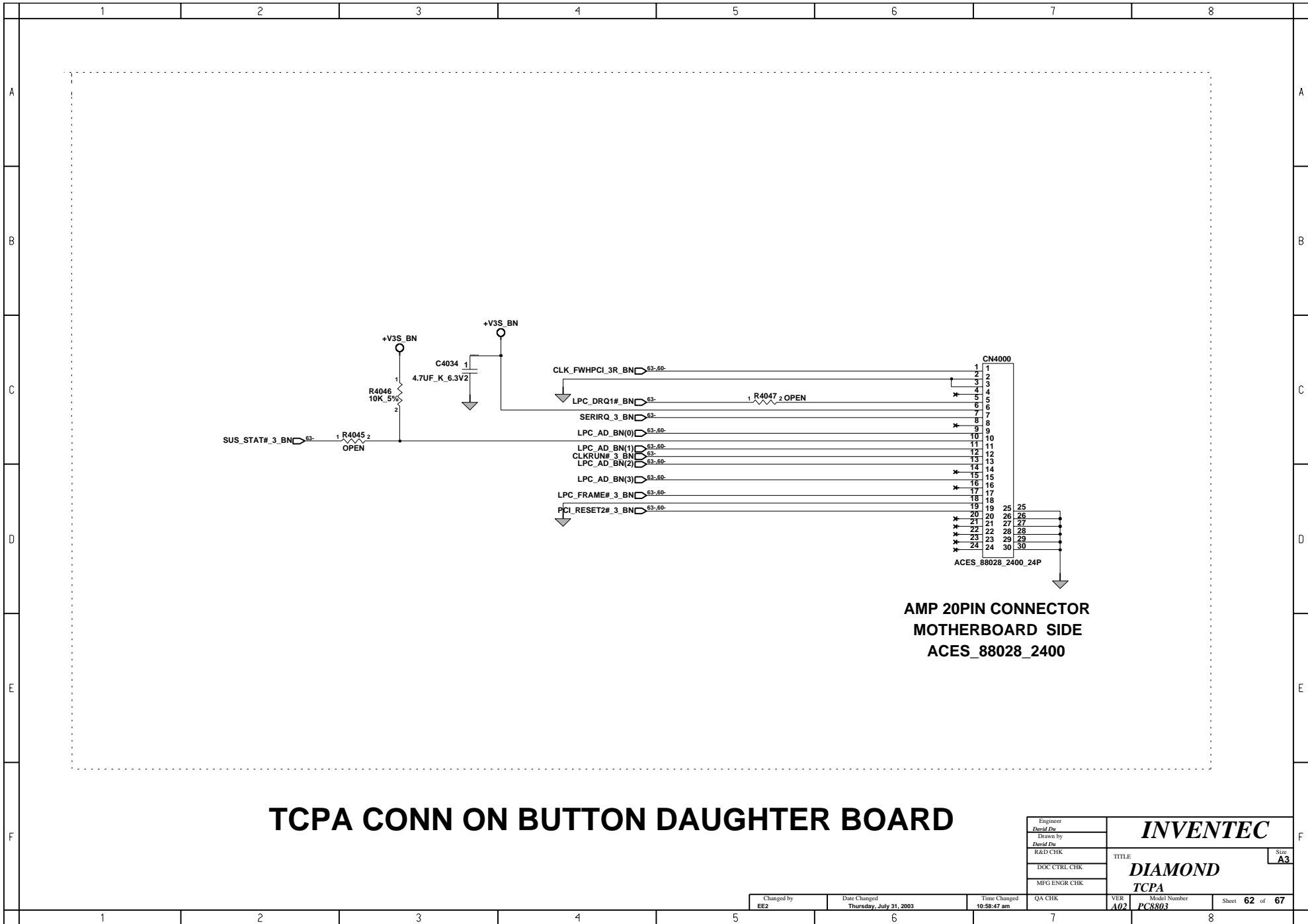
Engineer <i>David Du</i>	<b>INVENTEC</b> TITLE: <b>DIAMOND</b> <b>FWH</b> Model Number <b>PC8803</b>	Size <b>A3</b>
Drawn by <i>David Du</i>		
R&D CHK		
DOC CTRL CHK		
MFG ENGR CHK		

Changed by <b>EE2</b>	Date Changed <b>Thursday, July 31, 2003</b>	Time Changed <b>10:58:37 am</b>	QA CHK	VER <b>A021</b>	Sheet <b>60</b> of <b>67</b>
--------------------------	------------------------------------------------	------------------------------------	--------	--------------------	------------------------------



## MDC CONN ON BUTTON DAUGHTER BOARD

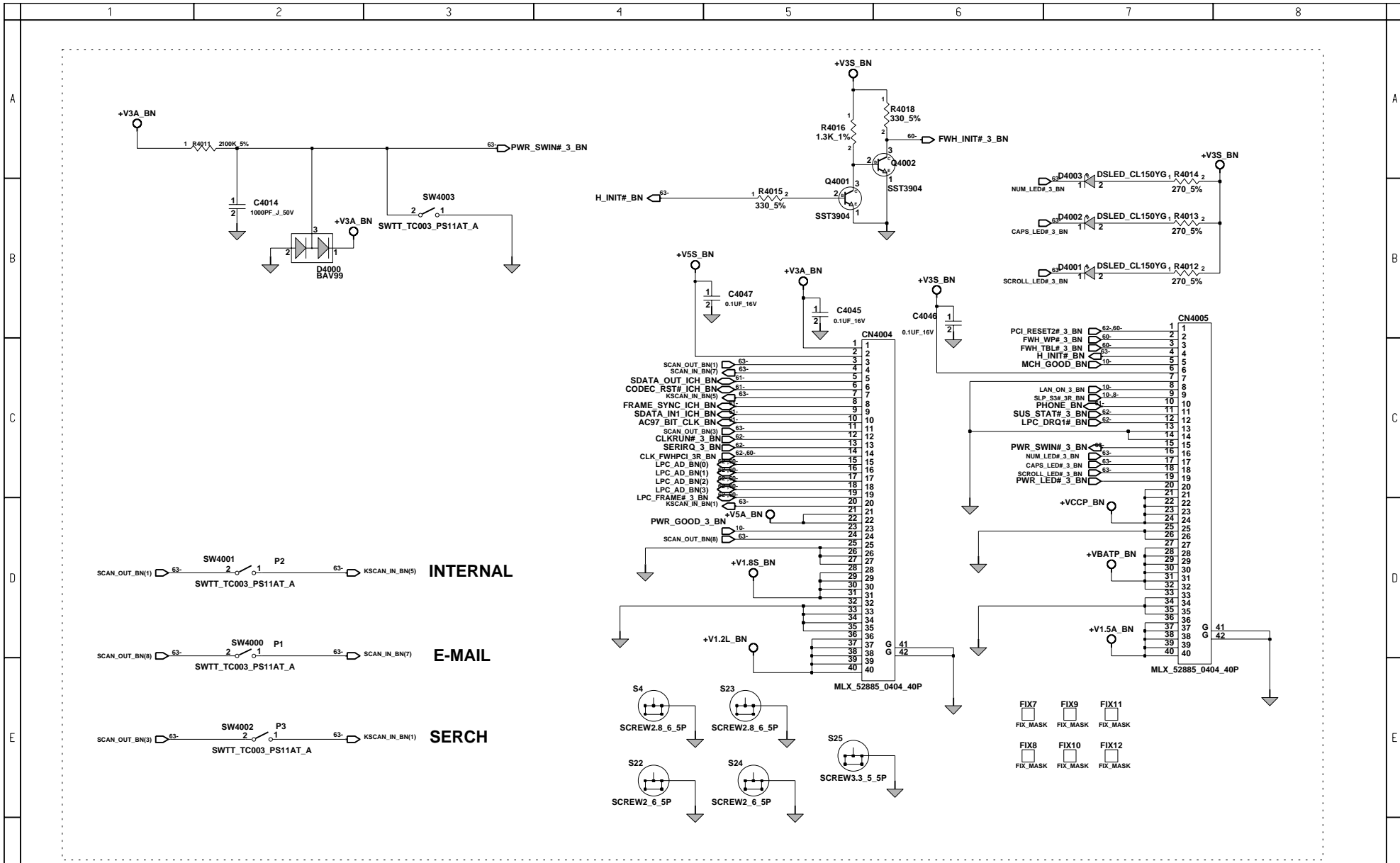
Engineer <i>David Du</i>	<b>INVENTEC</b> TITLE: <b>DIAMOND</b> <b>MDC CONN</b> Size: <b>A3</b>					
Drawn by <i>David Du</i>						
R&D CHK						
DOC CTRL CHK						
MFG ENGR CHK						
Changd by EE2	Date Changd Thursday, July 31, 2003	Time Changd 10:58:42 am	QA CHK	VER A02	Model Number PC8803	Sheet 61 of 67



**AMP 20PIN CONNECTOR  
MOTHERBOARD SIDE  
ACES\_88028\_2400**

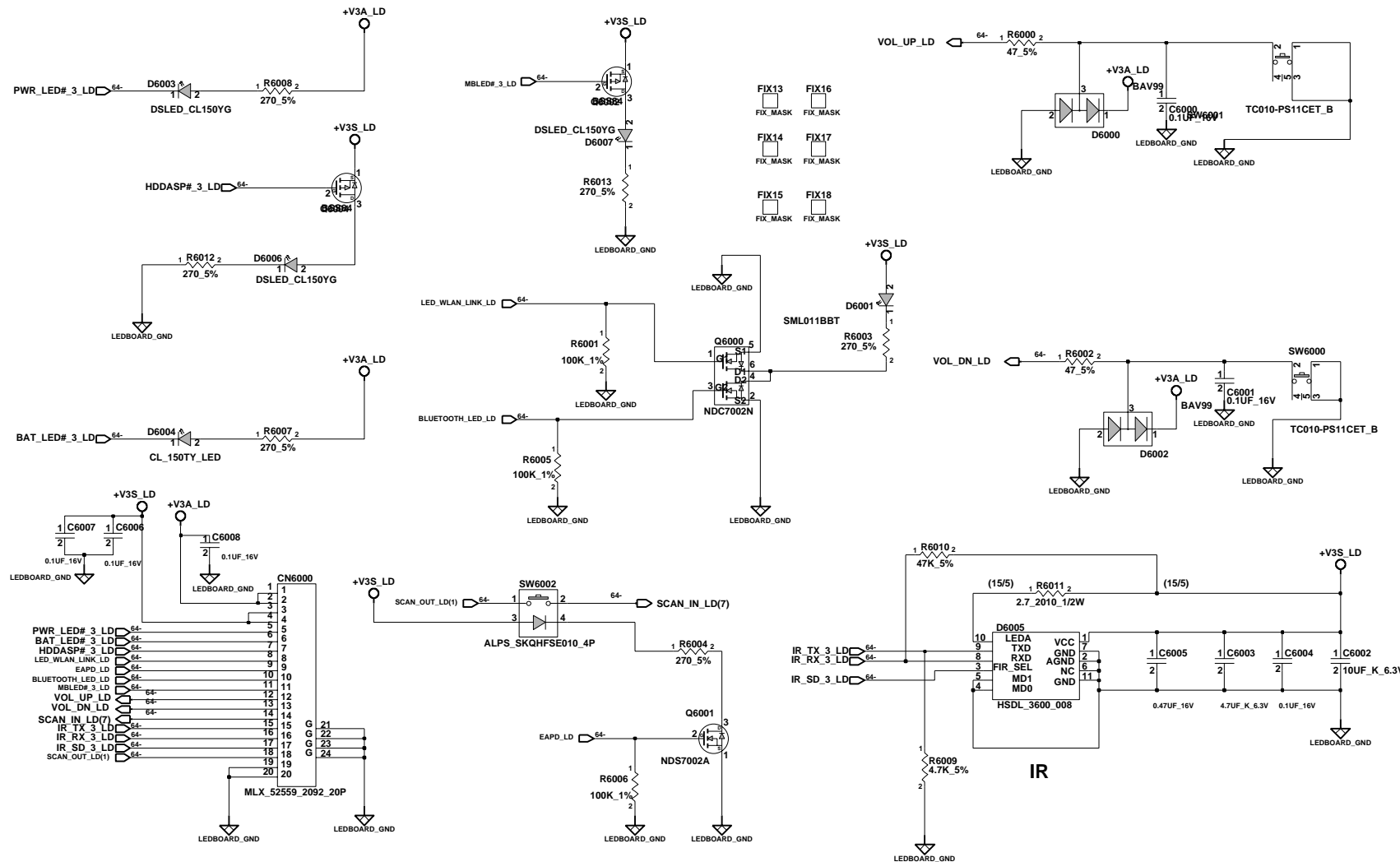
Engineer <i>David Du</i>	<b>INVENTEC</b>
Drawn by <i>David Du</i>	
R&D CHK	
DOC CTRL CHK	
MFG ENGR CHK	
TITLE	<b>DIAMOND</b>
	<b>TCPA</b>

Changed by <b>EE2</b>	Date Changed <b>Thursday, July 31, 2003</b>	Time Changed <b>10:58:47 am</b>	QA CHK	VER <b>A02</b>	Model Number <b>PC8803</b>	Sheet <b>62</b> of <b>67</b>
--------------------------	------------------------------------------------	------------------------------------	--------	-------------------	-------------------------------	------------------------------



# SWITCH & CONN & LED ON BUTTON DAUGHTER BOARD

Engineer David Du	<b>INVENTEC</b> TITLE: <b>DIAMOND</b> <b>CONN &amp; SWITCH &amp; LED</b> Model Number <b>PC8803</b>	Size <b>A3</b>			
Drawn by David Du					
R&D CHK					
DOC CTRL CHK					
MFG ENGR CHK					
Changed by EE2	Date Changed Thursday, July 31, 2003	Time Changed 10:58:55 am	QA CHK	VER A02	Sheet 63 of 67



# LED & VOL BUTTON ON LED DAUGHTER BOARD

Engineer David Du	<b>INVENTEC</b> TITLE: <b>DIAMOND LED &amp; VOL BUTTON</b> Size: <b>A3</b>
Drawn by David Du	
R&D CHK	
DOC CTRL CHK	
MFG ENGR CHK	

Changed by EE2	Date Changed Thursday, July 31, 2003	Time Changed 10:59:01 am	QA CHK	VER A02	Model Number PC8803	Sheet 64 of 67
-------------------	-----------------------------------------	-----------------------------	--------	------------	------------------------	-------------------



	1	2	3	4	5	6	7	8	
A									A
B									B
C									C
D									D
E									E
F									F
	<p><b>SHEET 10</b> 1.R1096 change from 10K to 200K and add CAP (0.01UF) to GND NOTE: For ATI power sequence</p> <p><b>SHEET 11</b> 1. Add PM_VGATE DELAY CIRCUIT: U18, D23, R156, C90, C107 2. Add CAP (0.1UF) in R2024 pin1 to GND NOTE: For PCI_RESET, PCI_CLOCK, PM_VGATE TIMING</p> <p><b>SHEET 12</b> 1. Del PAD2, PAD515 and to short power</p> <p><b>SHEET 13</b> 1. R1122 change from 220K to 100K and add CAP(0.1UF) in R1122 pin1 to GND 2. Add CAP (OPEN) in Q25 pin3 to GND NOTE: For ATI power sequence</p> <p><b>SHEET 29</b> 1. Add SERIES RESISTORS on SB_STBS(R208), ADSTBS_0(R211), ADSTBS_1(R212) 2. Add SERIES RESISTORS DBI_LO(R198), DBI_HI(R197) 3. Change R72 from 10K to 20K 4. Add TEST POINT in GPIO(4:7) GPIO(9:14) 5. Add 1K pull down on GPIO8 6. Add 1K pull down RESISTOR to prevent leakage for some ZV_LCDDATA, ZV_LCDCNTL pin (ZV_LCDDATA(5:15), (18:19), ZV_LCDCNTL(0:3)) 7. Add 10K pull down RESISTOR to prevent leakage for ZV_LCDDATA(16:17) NOTE: Above items for ATI recommended 8. R153,R154, change form 1K to 3K NOTE: For +V3S power rail (ATI_VREFG) 9. Add SERIES RESISTORS STOP(R192) DEVEL(R199) TRDY(R200) IRDY(R217) FRAME(R216) 10. Add SERIES RESISTORS WBF(R205) RBF(R215) AD_STBF_0(R202) AD_STBF_1(R203) SB_STBF(R204) 11. R189, R190 PIN2 TO GND 12. R72 PIN 1 TO LINK +V3S</p> <p><b>SHEET 30</b> 1. Add 0 OHM series resistor on the path of osc output to XTAL and XTALOUT NOTE: Select frequency enter channel</p> <p><b>SHEET 29,30, 31, 32</b> 1. Change for ATI M9+X, M10 dual footprint schematic</p> <p><b>SHEET 36</b> 1. Add R219 TO JUMP M10 OR M9+X</p> <p><b>SHEET 38</b> 1. U509 -V19 (PM_VGATE/VRMPWRGD) change from PM_VGATE to SB_VGATE 2. Add U509 GPIO42 resistors R236 pull up +V3S and R237 pull down to GND NOTE: To chose memory type</p> <p><b>SHEET 41</b> 1. Rotate CN8 (the touch-pad connect):180 point of view and pin5,6 link to GND, pin7,8 link to CN7 pin3 2. Change CN7 (stick point) geoetric ( layout pattern)</p> <p><b>SHEET 49</b> 1. Change R155 from 10K to 100K</p>	<p><b>SHEET 50</b> 1. Change CN2068 for mechanical</p> <p><b>SHEET 56</b> 1. Change CN2062 point name NOTE: Modify LAN signal to right</p> <p><b>SHEET 63</b> 1.Change SW4 for mechanical</p> <p><b>SHEET 64</b> 1.Change D21 for mechanical</p> <p><b>CHANGE LIST FEBRUARY 12</b></p> <p><b>SHEET 11</b> 1.Change C65 TO CONNECTED TO PIN2 OF R2024(REF.RUBY) 2.CHANGE R1061 TO OPEN(REF.RUBY)</p> <p><b>SHEET 13</b> 1.CHANGE R1122 FROM 220K TO 100K (REF.RUBY)</p> <p><b>SHEET 29</b> 1. ADD NOTE TO M9+X, M10 R153, R154 USED OR NOT 2. Change AGPTEST DBI_LO &amp; DBI_HI TO +V1.5ATIAGP RAIL TO MATCH RUBY</p> <p><b>SHEET 30</b> 1.OPEN R2102 TO MATCH RUBY SCH (REF.RUBY) 2.ADD NOTE : R687&amp;R1766 FOR M9+X OR M10 USED 3. ADD 10K PULL-UP +V3S TO AUXWIN PIN AF26 (REF.RUBY)</p> <p><b>SHEET 32</b> 1.ADD L20 NFM41P11C204 TO MATCH RUBY SCH (REF.RUBY) 2.CHANGE L19,L1062, L1056, L1063, L1064, L1059,&amp;L1060 TO MATCH RUBY SCH (REF.RUBY) 3.CHANGE L5/L4,&amp;L12 TO MATCH RUBY SCH(REF.RUBY)</p> <p><b>SHEET 38</b> 1. CHANGE GPIO42 TO VMEM_CFG3 AND PULL UP TO +V3S &amp; 8.2K TO GROUND TO MATCH RUBY SCH (REF.RUBY) 2. ADD INVERTER BETWEEN PIN H22 (GPIO39) AND U2038 (PIN26) TO MATCH RUBY SCH (REF.RUBY)</p> <p><b>SHEET 50</b> 1.CHANGE USB POWER FROM +V5A TO +V5 TO MATCH RUBY SCH(REF.RUBY)</p> <p><b>CHANGE LIST FEBRUARY 14</b></p> <p><b>SHEET 33</b> 1. CHANGE DEPEND RESISTORS PACKAGE TO LAYOUT ROUTES</p> <p><b>CHANGE LIST FEBRUARY 15</b></p> <p><b>SHEET 10</b> 1. ADD U22 SCHMITT BUFFER FROM PIN2 R1096 AFTER THE RC CIRCUIT TO PIN10 OF U2008</p> <p><b>SHEET 29</b> 1. MAKE A NOTE R1957 R1958 TO INSTALL M9+X OR M10 BE USED 2. MAKE A NOTE R1956 TO INSTALL M9+X OR M10 BE USED</p>	<p><b>SHEET 31</b> 1. CHANGE C1982 C1983 TO 10 PF THESE TWO CAPACITORS VALUE CAN BE TUNED 2. ADD SERIES RESISTORS R237 R238 ON EACHOF THE TWO SIGNAL (DIMB_0 DIMB_1) MAKE A NOTE TO ONLY INSTALL THESE RESISTORS FOR ELPIDA MEMORY</p> <p><b>SHEET 32</b> 1. ADD L21 TO POWER PIN( P8, Y8, AC11,AC20,Y23, L23,H20,H11) MAKE A NOTES: THIS RAIL HAVE JUMPER TO SWITCH FOR +V1.5S FOR M10, +V1.8S FOR M9+X</p> <p><b>SHEET 33</b> 1. CHANGE THE TITLE, THESE IS A TYPO" VEDIO". IT SHOULD BE " VIDEO"</p> <p><b>CHANGE LIST FEBRUARY 17</b></p> <p><b>SHEET 32</b> 1. OPEN L12 AND L21 PUT BLM21A121S TO USED M9+X +V1.8S</p> <p><b>SHEET 42</b> 1. OPEN L12 AND L21 PUT BLM21A12. CHANGE SIGNAL NAME R252 PIN2 FROM PCI_RESET TO NPCI_RESET</p> <p><b>CHANGE LIST FEBRUARY 20</b></p> <p><b>SHEET 11</b> 1. U2010 PIN2(TON) TO ADD RESISTOR (OPEN) THEN PULL UP TO +VCCP</p> <p><b>SHEET 13</b> 1. CHANGE C66 VAULE FROM 22UF TO 68UF 2. ADD THE CAP 10UF C91 PIN1 TO LINK Q26 (PIN1,2,5,6) C91 PIN2 TO GND</p> <p><b>SHEET 20</b> 1. CHANGE U2019, U2329 FROM ADM1032 TO ADM1031 TWO PACKAGE THERMAL MONITOR</p> <p><b>CHANGE LIST FEBRUARY 21</b></p> <p><b>SHEET 30</b> 1. ADD THE BLUETOOTH SIGNAL AT CN1020 PIN43(CH_DATA), PIN36(CH_CLK)</p> <p><b>SHEET 30</b> 2. REMOVE C1671 C1673 C1674 C1675 THEN C1672 PIN2 CHAISY GND CHANGE TO DIGITAL GND</p> <p><b>SHEET 58</b> 1. ADD TWO SIGNAL AT CN1036 PIN6(CH_DATA), PIN7(CH_CLK) THEN ADD TWO SERIES RESISTORS 100 OHM TO THESE PIN</p> <p><b>CHANGE LIST FEBRUARY 23</b> 1. ADD RESISTOR 100K PULL UP TO +V3S ANOTHER PIN TO LINK Q53 PIN2(XMIT_OFF#)</p> <p><b>CHANGE LIST FEBRUARY 27</b></p> <p><b>SHEET 20</b> 1. ADD BYPASS CAPACITORS C308, C309, C310 (220P)</p> <p><b>SHEET 25 26</b> 1. ADD BYPASS CAPACITORS, C311, C313 (150UF)</p>						
	1	2	3	4	5	6	7	8	

Engineer David Du	<p style="text-align: center;"><b>INVENTEC</b></p> <p style="text-align: center;"><b>DIAMOND</b></p> <p style="text-align: center;"><b>CHANGE LIST</b></p>	Size A3
Drawn by David Du		TITLE
R&D CHK		
DOC CTRL CHK		
MFG ENGR CHK		

Changed by EE2	Date Changed Thursday, July 31, 2003	Time Changed 10:59:06 am	QA CHK	VER A02	Model Number PC8803	Sheet 65 of 67
-------------------	-----------------------------------------	-----------------------------	--------	------------	------------------------	-------------------

**FOR SI SCHEMATIC CHANGE**

**SHEET 17**

1. FOR PS1# PULL HIGH +VCCP TO OPEN R1089

**SHEET 38**

1. REMOVE PWM\_GOOD\_3 SIGNAL DELETE R1419

**SHEET 40**

1. R1049 FOR PCI\_SERR#\_3 PULL DOWN TO OPEN  
 2. KBC INITIAL NEED TO PULL DOWN 100K RESISTOR R1  
 3. ADD U4004 , D6008 , R6014 , C6011 , C6012 THIS CIRCUIT TO FINE\_TUNE POWER ON SEQUENCE TIME

**SHEET 41**

1. RNET FOR KAHUNA PROGRAMMING. NEED ONLY FOR FLASH RECOVERY SATURATION

**SHEET 50**

1. REMOVE USB\_OC#0 U2 , U3 PIN\_2 TO OPEN  
 2. U2 , U3 PIN\_1(EH) CONNECT +5V  
 3. U2 , U3 PIN\_5 CONNECT +V5A  
 4. REMOVE L3 AND TO SHORT

**SHEET 52**

1. REMOVE R1126 , R1128 TO A\_CCLKRUN# , B\_CCLKRUN# SIGNAL PULL UP REPEAT

**SHEET 64**

1. ADD Q6004 TO PREVENT THE CURRENT FROM D6006 INTO HDDLED LOGIC OUTPUT

**2003/03/18 update**

**SHEET 15**

1. ADD R6013 RESISTOR OPEN TO JUMP CLK\_SIO14\_3R & ADI48M

**SHEET 40**

1. ADD C6013 18P CAPICATOR BYPASS TO LOW\_BAT#\_3 THIS SIGNAL

**2003/03/19 update**

**SHEET 20**

1. ADD U4005 , R6016 , Q6005 , D6009 , C6015 , C6014 THIS CIRCUIT AND CN6001 TO SECOND FAN

**SHEET 59**

1. REMOVE CN22\_PIN5-RTCBAT  
 2. ADD CN6002 TO RCT CONNECTOR FOR MECHCNAL CHANGE

**SHEET 63**

1.REMOVE CN4001 RTC CONNECTOR , CN1010\_PIN5-RTCBAT FOR MECHCNAL CHANGE

**SHEET 64**

1. CHANGE SW6001 AND SW6000 FOR MECHCNAL MODIFY  
 2. CHANGE D6005 I.R. SIZE FOR MECHCNAL MODIFY

**2003/03/24 update**

**SHEET 31 & 34**

1. ADD DDR\_CSB1# SIGNAL FOR 8M\*32 VRAN USED  
 AND ADD R6016 RESISTOR DEPEND TO LINK U1018 & U1019 PIN M4

**SHEETS**

1.CHANGE R1068 VALUE FROM 150K TO 10K AND R1070 VALUE FROM 20K TO 1.3K FOR AC DETECT LEVEL

**SHEET15**

1.CHANGE R6015 VALUE FROM OPEN TO 33 AND R1361 VALUE CHANGE TO OPEN FOR AC'97 FRQUENCE CHANGE 14.318MHZ

**SHEET42**

1.CHANGE R126 VALUE TO 0 AND R125 VALUE CHANGE FROM 0 TO OPEN FOR SUPER I/O USED\_NPCI\_RESET

**SHEET44**

1.CHANGE R1165\_PIN-1 VOLTAGE FROM +5VA TO +V5

**SHEET45**

1.CHANGE R1460 FROM OPEN TO 1K FOR AC'97 CHOOSE FRQUENCE

**2003/03/26 update**

**SHEET13**

1. CHANGE P MOS Q1041 , Q1046 , Q10 , Q11 HIGH CURRENT AND LOW RDS ON

**SHEET36**

1. CHANGE P MOS , Q1050 HIGH CURRENT AND LOW RDS ON

**SHEET 40**

1. REMOVE R1409 , D1028 AND TO SHORT PCI\_SERR#\_3

**SHEET 50**

1. REMOVE L2 AND TO SHORT

**SHEET 52**

1. CHANGE R1132 , R1133 FROM 47 OHM TO 22 OHM FOR A\_CCLK & B\_CCLK TIMING

**SHEET 55**

1. CHANGE VALUE C1358 , C1357 , C1398 FROM 0.01UF TO 0.1UF FOR BCM MODIFY  
 2. ADD CAPACITORS C6015 , C6014 10UF FOR BCM MODIFY

**2003/03/30 update**

**SHEET 5**

1. ADD R6021 RESISTOR OPEN TO MODIFY OCP

**SHEET 33**

1. CHANGE THE VALUE OF SERIAL TERMINATION RESISTORS ON THE DATA , DQM AND QS LINES TO 22-OHMS

**SHEET 34**

1. CHANGE THE VALUE OF SERIAL TERMINATION RESISTOR OF QS LINE TO 22-OHMS

**SHEET 40**

1. R105 SHOULD BE OPEN TO FINE TUNE KBC POWER UP SEQUENTIAL

**SHEET 55**

1. ADD TWO 0.1uF DECAPS C6018 AND C6019 TO +V3S RAIL  
 2. ADD 0.1uF DECAPS C6019 TO +V3\_LAN

**SHEET 56**

1. ADD SIX 0.1uF DECAPS C6021 , C6022 , C6023 , C6024 , C6025 , C6026 TO +V\_LAN RAIL

**2003/04/03 update**

**SHEET 45**

1. ISOLATE PCSPKB\_3 USING A 2N7002 WITH DRAIN CONNECTED TO +V3S THROUGH A 10K PULL-UP , SOURCE TO GROUND , & GATE TO PCSPKB\_3 . PIN 2 OF C28 SHOULD BE CONNECTED TO DRAIN OF 2N7002 , WHICH FEEDS THE AUX INPUT OF CODEC  
 2. ISOLATE PCSPKB\_ICH\_3 USING A 2N7002 WITH DRAIN CONNECTED TO +V3S THROUGH A 10K PULL-UP , SOURCE TO GROUND , & GATE TO PCSPKB\_ICH\_3 . PIN 2 OF C15 SHOULD BE CONNECTED TO DRAIN OF 2N7002 , WHICH FEEDS THE AUX INPUT OF CODEC

**SHEET 46**

1. ISOLATE PHONE USING A 2N7002 WITH DRAIN CONNECTED TO +V3S THROUGH A 10K PULL-UP , SOURCE TO GROUND , & GATE TO PHONE . PIN 1 OF C24 SHOULD BE CONNECTED TO DRAIN OF 2N7002 , WHICH FEEDS THE AUX INPUT OF CODEC

**SHEET 47 , 64**

1. CHANGING FDD ACTIVITY LED TO MULTI-BAY ACTIVITY LED AND HDD ACTIVITY LED TO JUST THE FIXED HDD

**2003/04/05 update**

**SHEET 31**

1. CAPS C120 AND C125 ON CLOCK LINES CHANGE TO 10NF

**SHEET 57**

1. THE HPD CIRCUIT REQUIRES A 2.5V ZENER (IN PARALLEL WITH R1264) , AND ADDITIONAL 20K IN SERIES. SEE THE ATI REFERENCE DESIGN BOARD

Engineer David Du	<b>INVENTEC</b>
Drawn by David Du	
R&D CHK	
DOC CTRL CHK	
MFG ENGR CHK	
TITLE	Size <b>A3</b>
<b>DIAMOND CHANGE LIST</b>	

Changed by EE2	Date Changed Thursday, July 31, 2003	Time Changed 10:59:10 am	QA CHK	VER A02	Model Number PC8803	Sheet <b>66</b> of <b>67</b>
-------------------	-----------------------------------------	-----------------------------	--------	------------	------------------------	------------------------------

	1	2	3	4	5	6	7	8																			
A	<b>FOR PV SCHEMATIC CHANGE</b>  <b>SHEET 30</b> 1. ADD R6026 , R6027 , R6028 75 OHM RESISTORS TO PULL DOWN TO CRT SIGNAL R G B  <b>SHEET 35</b> 1. ADD C6020 , CC6021 , C6022 CAPACITORS PULL DOWN TO OPEN 2. CHANGE L4 , L5 , L6 FROM BEAD TO 0 OHM RESISTORS  <b>SHEET 45</b> 1. CHANGE C1435 FROM 4.7UF TO OPEN 2. SWAP MPC1_PWM THIS SIGNAL FROM C24 PIN1 TO Q1061 PIN 2 THAN Q1061 PIN 3 SWAP TO LINK R12 PIN 1  <b>SHEET 46</b> 1. SWAP PHONE THIS SIGNAL FROM R12 PIN1 TO C24 PIN 2 2. CHANGE C5 , C6 , C23 FROM 0.1UF TO 0.01UF  <b>SHEET 51</b> 1. ADD Q6005 NMOS TO CLEAR BACKWARD CURRENT  <b>SHEET 57</b> 1. KB_DAT_5 , KB_CLK_5 , EM_DAT_5 , EM_CLK_5 THIS SIGNAL ADD R6021 , R6022 , R6023 , R6024 , RESISTORS TO PULL UP +VSS 2. CHANGE L8 , L9 , L13 FROM 110 OHM FITTER BEAD TO 39 NH FITTER BEAD 3. CHANGE L4007 , L4006 , L4005 FROM 75 OHM FITTER BEAD TO 110 NH FITTER BEAD 4. CHANGE C137 , C138 , C165 FROM OPEN TO 18PF CAPICATORS			<b>FOR PVR SCHEMATIC CHANGE 2003/07/17</b>  <b>SHEET 57</b> 1. CHANGE CAPACITOR VALUE C6027 , C1335 FROM OPEN TO 100PF FOR EMI SOLUTION 2. ADD CAPACITOR C6030_100PF FOR EMI SOLUTION  <b>SHEET 28</b> 1. ADD CAPACITORS C6031 , C6032 , C6033 , C6034 , C6035 , C6036 , C6037 100PF FOR EMI SOLUTION 2. CHANGE CAPACITOR VALUE C256 FRPM 0.1UF TO 100PF  <b>FOR PVR SCHEMATIC CHANGE 2003/07/23</b> <b>SHEET 9</b> 1. R1582 , R1583 , R6019 , C1469 , Q1057 , Q1058 CHANGE TO OPEN FOR HP REQUIREMENT  <b>SHEET 20</b> 1. CN24 NOT TO USE  <b>SHEET 47</b> 1. R1465 , R1449 CHANGE VALUE FROM OPEN TO 0 OHM 2. R1463 , R1448 CHANGE VALUE FROM 0 OHM TO OPEN  <b>SHEET 5 54</b> 1. MOVE Q1009 , R1071 FOR LAYOUT PLACEMENT BECAUSE MECHANICAL COVER HAVE TO SHORT		<b>FOR MV B SCHEMATIC CHANGE 2003/08/15</b>  <b>SHEET 5</b> FOR OCP circuit add R6043(0ohm) between U1002-8 and U1002-5 add R6044(open) and D6009(BAT54C) between U1002-13 and U1002-5  <b>SHEET 46</b> 1. ADD CAPACITOR C6042_100PF between U1 pin 12 , pin 13 . 2. ADD CAPACITOR C6041 open between U1 pin 2 , pin 3 . 3. ADD CAPACITOR C6043_100PF between U1 pin 9 , pin 10 .  <b>FOR MV B SCHEMATIC CHANGE 2003/08/21</b> <b>SHEET 6</b> 1. CHANGE RESISTOR VALUE R1581 FROM 2.7K OHM TO 3.3K OHM FOR BATTERY SOLUTION  <b>SHEET 9</b> 1. CHANGE CAPACITOR VALUE C6016 FROM OPEN TO 12000PF FOR ATI RECOMMEND  <b>SHEET 13</b> 1. CHANGE CAPACITOR VALUE C187 FROM 0.1UF TO 39000PF FOR ATI RECOMMEND			A																		
B									B																		
C	<b>FOR PV-R SCHEMATIC CHANGE 2003/07/15</b>  <b>SHEET 9</b> 1. CHANGE CAPACITOR C230 IMPROVE VGA/VCC BYPASS CAPACITOR ESR  <b>SHEET 54</b> 1. CHANGE CAPACITOR C1075 , C1076 , C1077 , C1078 , C1079 , C1080 , SIZE FROM 0603 TO 0402 TO FIX INTEL WIRELESS CARD TO TOUCH CAPACITOR MECHANICAL ISSUE  <b>SHEET 56</b> 1. CHANGE RESISTOR R134 VALUE FROM 1.24K TO 1.21K TO INCREASE THE SIGNAL VOLTAGE LEVEL TO MEETING THE IEEE SPEC. 2. CHANGE R1351 FROM 4.70HM TO BLM11A601S FITTER BEAD (L4008) TO INCREASE THE SIGNAL VOLTAGE LEVEL TO MEETING THE IEEE SPEC.  <b>SHEET 57</b> 1. ADD CAPACITOR C328 , C329 , C330 TO 150PF FOR EMI SOLUTION  <b>SHEET 58</b> 1. MOVE R1057 , R1058 FOR LAYOUT PLACEMENT BECAUSE MECHANICAL COVER HAVE TO SHORT  <b>SHEET 59</b> 1. CLEAR PAD1003 LINK TO GND FOR EMI SOLUTION 2. ADD PAD1004 FOR THERMAL  <b>SHEET 63</b> 1. DELETE R4010 AND LED_POWER_SWITCH CIRCUIT CHANGE TO SWITCH CIRCUIT FOR MECHANICAL REQUIREMENT  <b>SHEET 64</b> 1. IR_PIN11 LINK TO GND  <b>LAYOUT NOTE:</b> 1. CLK_CBIPCI_3R==>L5 CHANGE TO L3 2. CLK_MINIPCI_3R==>L5 CHANGE TO L3			<b>FOR PVR SCHEMATIC CHANGE 2003/07/28</b>  <b>SHEET 5 57</b> 1. Change resistors value R6021,R6022 ,R6023 , R6024 from 4.7k ohm to 1k ohm for KBC PS2 microsoft keyboard to match .  <b>FOR PVR SCHEMATIC CHANGE 2003/07/31</b> <b>SHEET 32</b> 1. change capacitor value C1268 from 22uF to 68uF  <b>FOR PVR SCHEMATIC CHANGE 2003/08/01</b> <b>SHEET 35</b> 1. change ferrite-bead from L4, L5 , L6 (BLM11B750S) to resistors R6037 , R6038 , R6039 0 ohm  <b>SHEET 57</b> 1. change ferrite-bead from L4007 , L4006 , L4005 (111XJBC_110NH) to resistors R6040 , R6041 , R6042 0 ohm 2. change ferrite-bead from L8, L9 , L13 (111XJBC_39NH) to ferrite-bead L8 , L9 , L10 BLM11B750S		<b>FOR MV B SCHEMATIC CHANGE 2003/08/13</b> <b>SHEET 32</b> 1. ADD P-MOS Q6006 PIN4 LINK TO SLP_S3_5R , PIN5,8 LINK TO +AGP_V3S & PIN1, 2, 3, 6, 7, LINK TO +V3S 2.REMOVE L1014  <b>SHEET 20</b> 1. CHANGE CAPACITOR VALUE C286 2200pF TO NON-INSTALL  <b>SHEET 38</b> 1. ADD C6039 0.1UF BYPASS CAPACITOR .  <b>SHEET 47</b> 1. CHANGE RESISTOR R6035 0 OHM TO C6040 0.01UF CAPACITOR .  <b>SHEET 56</b> 1. CHANGE RESISTOR VALUE R134 FROM 1.21K TO 1.18K OHM.			C																		
D									D																		
E									E																		
F									F																		
						<table border="1"> <tr> <td>Engineer David Du</td> <td rowspan="5"> <b>INVENTEC</b>   <b>DIAMOND</b>  <b>CHANGE LIST</b> </td> <td>Size A3</td> </tr> <tr> <td>Drawn by David Du</td> <td>TITLE</td> </tr> <tr> <td>R&amp;D CHK</td> <td></td> </tr> <tr> <td>DOC CTRL CHK</td> <td></td> </tr> <tr> <td>MFG ENGR CHK</td> <td></td> </tr> </table>		Engineer David Du	<b>INVENTEC</b>  <b>DIAMOND</b> <b>CHANGE LIST</b>	Size A3	Drawn by David Du	TITLE	R&D CHK		DOC CTRL CHK		MFG ENGR CHK		<table border="1"> <tr> <td>Changed by EE2</td> <td>Date Changed Thursday, August 21, 2003</td> <td>Time Changed 11:48:22 am</td> <td>QA CHK</td> <td>VER A02</td> <td>Model Number PC8803</td> <td>Sheet 67 of 67</td> </tr> </table>		Changed by EE2	Date Changed Thursday, August 21, 2003	Time Changed 11:48:22 am	QA CHK	VER A02	Model Number PC8803	Sheet 67 of 67
Engineer David Du	<b>INVENTEC</b>  <b>DIAMOND</b> <b>CHANGE LIST</b>	Size A3																									
Drawn by David Du		TITLE																									
R&D CHK																											
DOC CTRL CHK																											
MFG ENGR CHK																											
Changed by EE2	Date Changed Thursday, August 21, 2003	Time Changed 11:48:22 am	QA CHK	VER A02	Model Number PC8803	Sheet 67 of 67																					
1	2	3	4	5	6	7	8																				