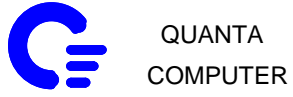


MODEL	REV	CHANGE LIST	Model	ZL8	MB
			Page	FM	TO
ZL9	1A	Preliminary Release	1	1A	
	2A	Page 4 : Add C573 4.7pf for Signal quanlity Page 6 : Add R460 0om for UMA. Page 11 : seprate SATALED# for IDE interrupt. Page 14 :add R45 0ohm for M52-T. Page 19 : enlarge H22,H23 to 6mm for VGA sink Nut. Page 24 : Add 459 10Kohm for keep the GPIO normal Low. Page 25 : Add R239 0ohm for Po Po sound. Page 27 : Add R458 , Q25 for SATALED#. Page 28 : PL14->0.6uH,PR122->680ohm,PR120->680ohm,PR118->470ohm,PC55->220P,PR38->160K for power efficiency. Page 30 : PR40->20K,PD11->CH551,PC39->.22U,PC46->2.2n,PL11->1.5UH,PR59->221K for power efficiency. Page 30 : PC176->1000P,PC182->1000P,PC179->1000P,PC180->100P,PC181->100P,PC177->1000P for EMI. Page 31 : PR142->0 , PR94->100K,PR95->0,PR93->100K for battery charger modify ,PC178->1000P for EMI. Page 32 : PR15->6.65K , PL6->1.0UH for power efficiency.	2	1A	
			3	1A	
			4	2A	
			5	1A	
			6	2A	
			7	1A	
			8	1A	
			9	1A	
			10	1A	
			11	2A	
			12	1A	
			13	1A	
			14	2A	
			15	1A	
			16	1A	
			17	1A	
			18	1A	
			19	2A	
			20	2A	
			21	1A	
	22	1A			
	23	1A			
	24	2A			
	25	2A	3A		
	26	1A			
	27	2A	3A		
	28	2A			
	29	1A			
	30	2A			
	31	2A			
	32	2A			
3A	Page 25 : R250->100Kohm, Q13->2N7002,Q23->2N7002,Add Q24 AO3403 for SPDIF on/off LED. Page 27 :Del R458 , Q25 for HDD LED can't light issue.				



PROJECT : ZL9	DOC. NO. ???	REV: 1A	ASSY: 31ZL9MB0020
APPROVED BY : Vic Lin #15598	CHECKED BY: Jerry Lin #15573	DRAWING BY : Jerry Wang #13011	DATE: 2005/12/20

# ZL9

**CPU CORE**  
**SENTECH**  
**SC4511TSTR**  
 Page: 28

**SYSTEM 3V/5V**  
**MAXIM**  
**MAX1999**  
 +3VPCU  
 +3V\_S5/+3VSUS  
 +3V  
 +5VPCU  
 +5VSUS  
 +5V  
 +15V  
 Page: 29

+1.8VSUS  
 +1.8V  
 +0.9VSUS  
 +0.9V ON NCP5214  
 +1.5V SENTECH SC1470  
 +1.5V\_S5 SI9183-AD  
 +2.5V SENTECH SC1565  
 +1.05V SENTECH SC4215  
 Page: 30  
 +1.2V SENTECH SC4215  
 +NVVDD SENTECH SC1470  
 Page: 32

**BATTERY CHARGER**  
**MAXIM**  
**MAX8724**  
 Page: 31

**CLOCK GEN**  
**ICS954206**  
**(RTM865T-433)**  
 Page: 4

**CELERON-M/PENTIUM-M**  
 INTEL Mobile\_479 CPU  
 Page: 2, 3

**CRT**  
 Page: 19  
**LVDS**  
 Page: 19

**DDR-II SODIMM1**  
 Page: 10  
**DDR-II SODIMM2**  
 Page: 10

**NB**  
**INTEL**  
**ALVISO 915PM/GM**  
 Page: 5, 6, 7, 8

**ATi**  
**M52-T**  
 Page: 14, 15  
 16, 17

**MINI-PCIE slot**  
**Wireless LAN**  
 (Option)  
 Page: 21

**SATA HDD**  
 Page: 20  
**PATA HDD**  
 Page: 20  
**IDE-ODD**  
 Page: 20

**SB**  
**INTEL**  
**ICH6-M**  
 Page: 11, 12, 13

**PCI-E BUS**  
**PCI BUS 33MHZ**

**TI PCMCIA**  
**PCI1510**  
 AD17  
 REQ1# / GNT1#  
 INTC#  
 Page: 23

**TYPE II**  
**SLOT**  
 Page: 23

**AUDIO CODEC**  
**Realtek**  
**ALC883 (ALC260)**  
 Page: 24

**AMP**  
**MAX9755**  
 Page: 25

**MODEM**  
 Page: 24

**KBC**  
**NS**  
**PC97551/541V**  
 Page: 26

**MIC IN**  
 Page: 24  
**SPEAKER**  
 Page: 25  
**LINE OUT**  
 Page: 25  
**RJ11**  
 Page: 22

**Touchpad**  
 Page: 27  
**Keyboard**  
 Page: 27  
**FLASH**  
 Page: 26  
**FAN**  
 Page: 27

**USB 2.0**

**SYSTEM**  
**USB PORT \*3**  
**USB2, 3, 5**  
 Page: 21

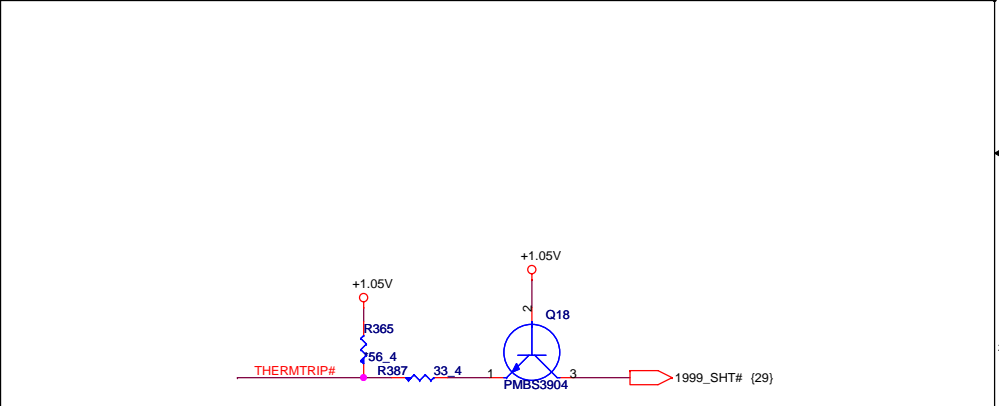
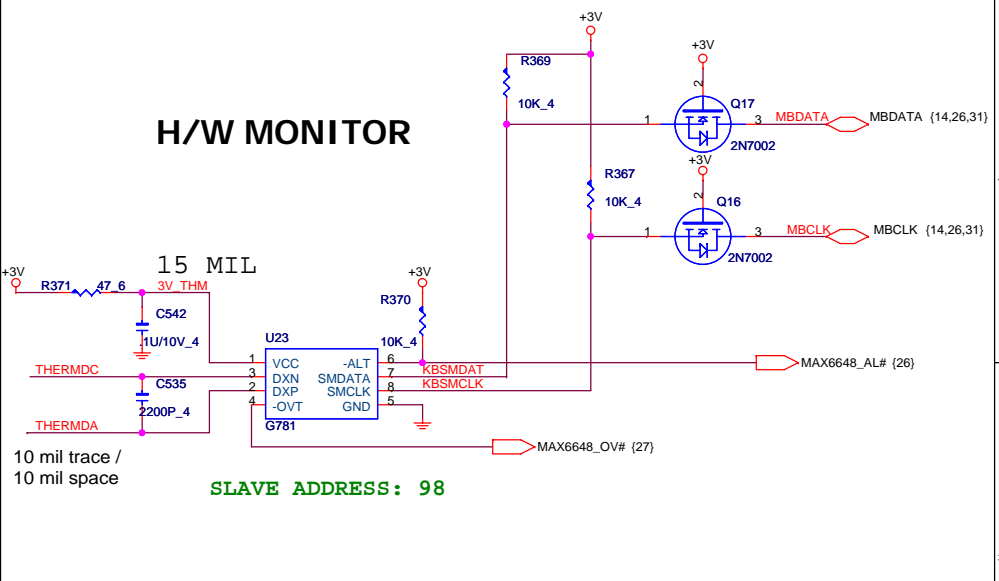
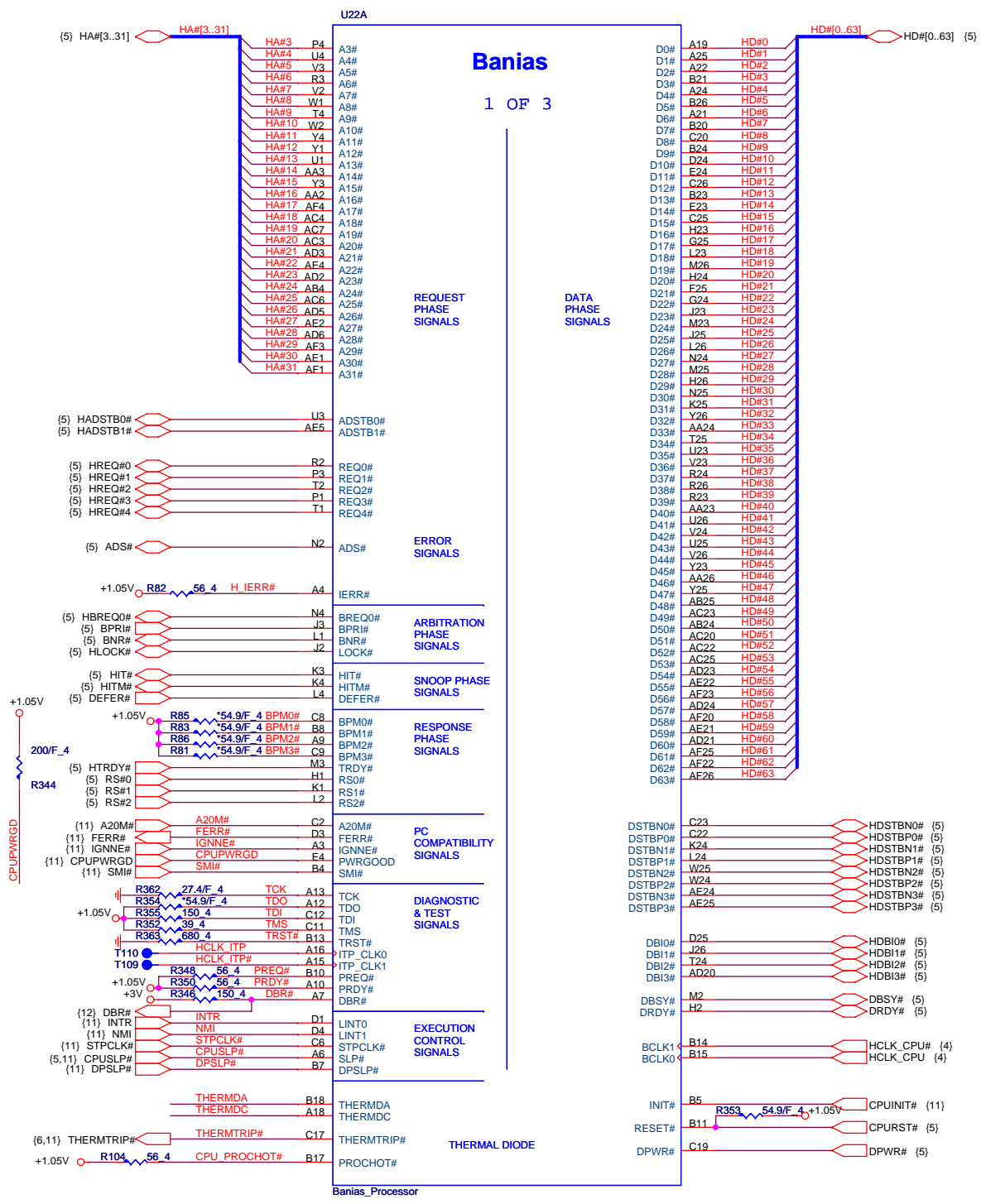
**Bluetooth**  
**USB**  
**interface**  
**USB4**  
 Page: 21

**MINI-PCI**  
**Wireless LAN**  
**AD20**  
 REQ2# / GNT2#  
 INTB# , INTD#  
 Page: 21

**REALTEK**  
**RTL8100CL**  
**AD24**  
 REQ0# / GNT0#  
 INTA#  
 Page: 22

**RJ45**  
 Page: 22

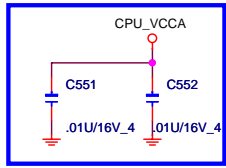
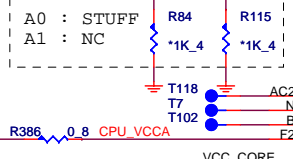
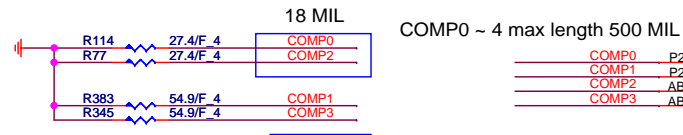
**PROJECT : ZL9**  
**Quanta Computer Inc.**  
 Size Document Number Rev 3A  
**BLOCK DIAGRAM**  
 Date: Monday, December 19, 2005 Sheet 1 of 32



**PROJECT : ZL9**  
**Quanta Computer Inc.**

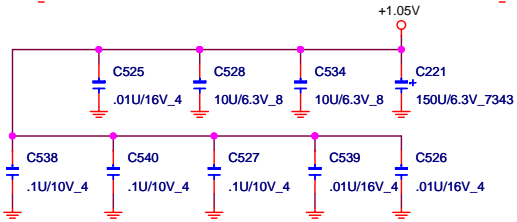
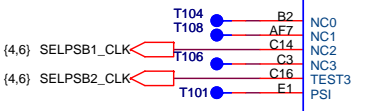
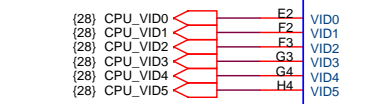
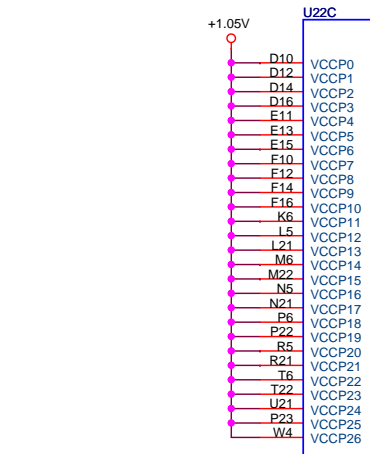
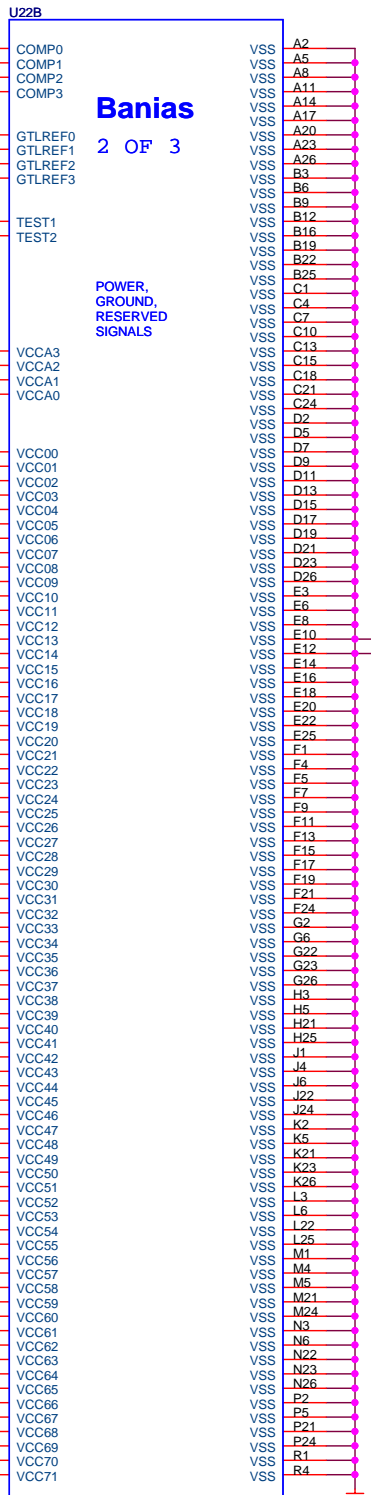
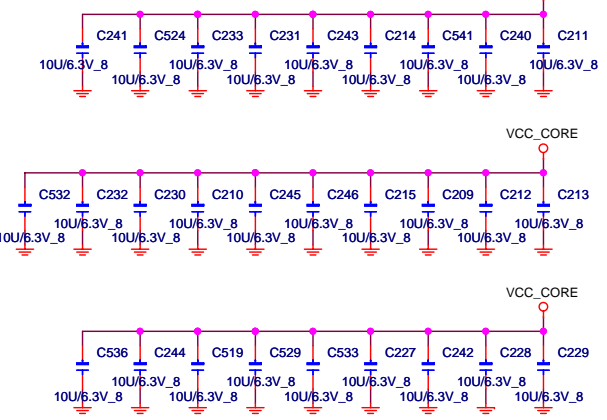
Size: Document Number: CPU (HOST BUS)-1 Rev: 3A

Date: Monday, December 19, 2005 Sheet: 2 of 32



PLACE one 10U & one 0.01U for each VCCA pin

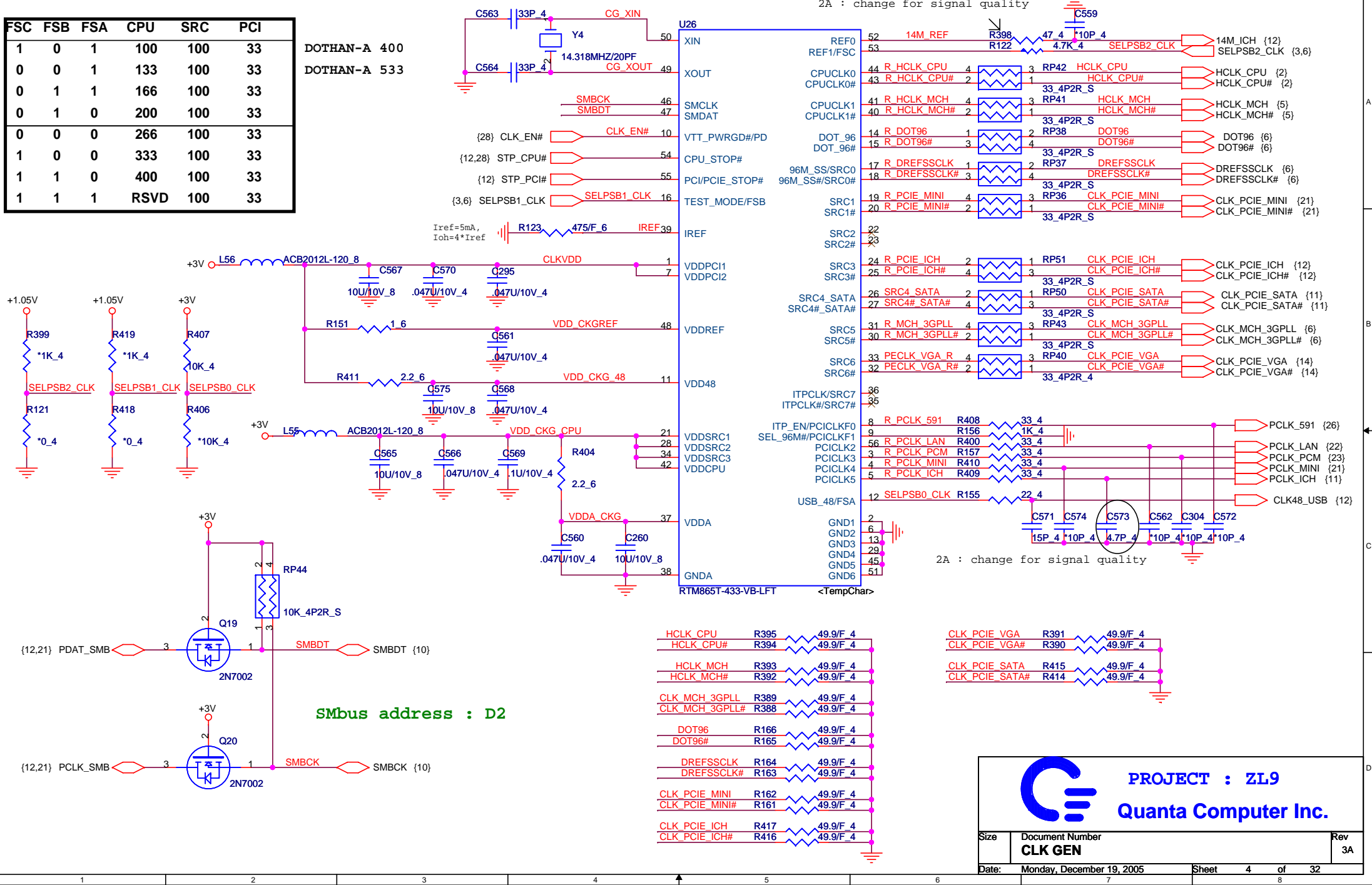
10U/6.3V/X5R(CC0805) \*30



**PROJECT : ZL9**  
**Quanta Computer Inc.**

FSC	FSB	FSA	CPU	SRC	PCI
1	0	1	100	100	33
0	0	1	133	100	33
0	1	1	166	100	33
0	1	0	200	100	33
0	0	0	266	100	33
1	0	0	333	100	33
1	1	0	400	100	33
1	1	1	RSVD	100	33

DOTHAN-A 400  
DOTHAN-A 533



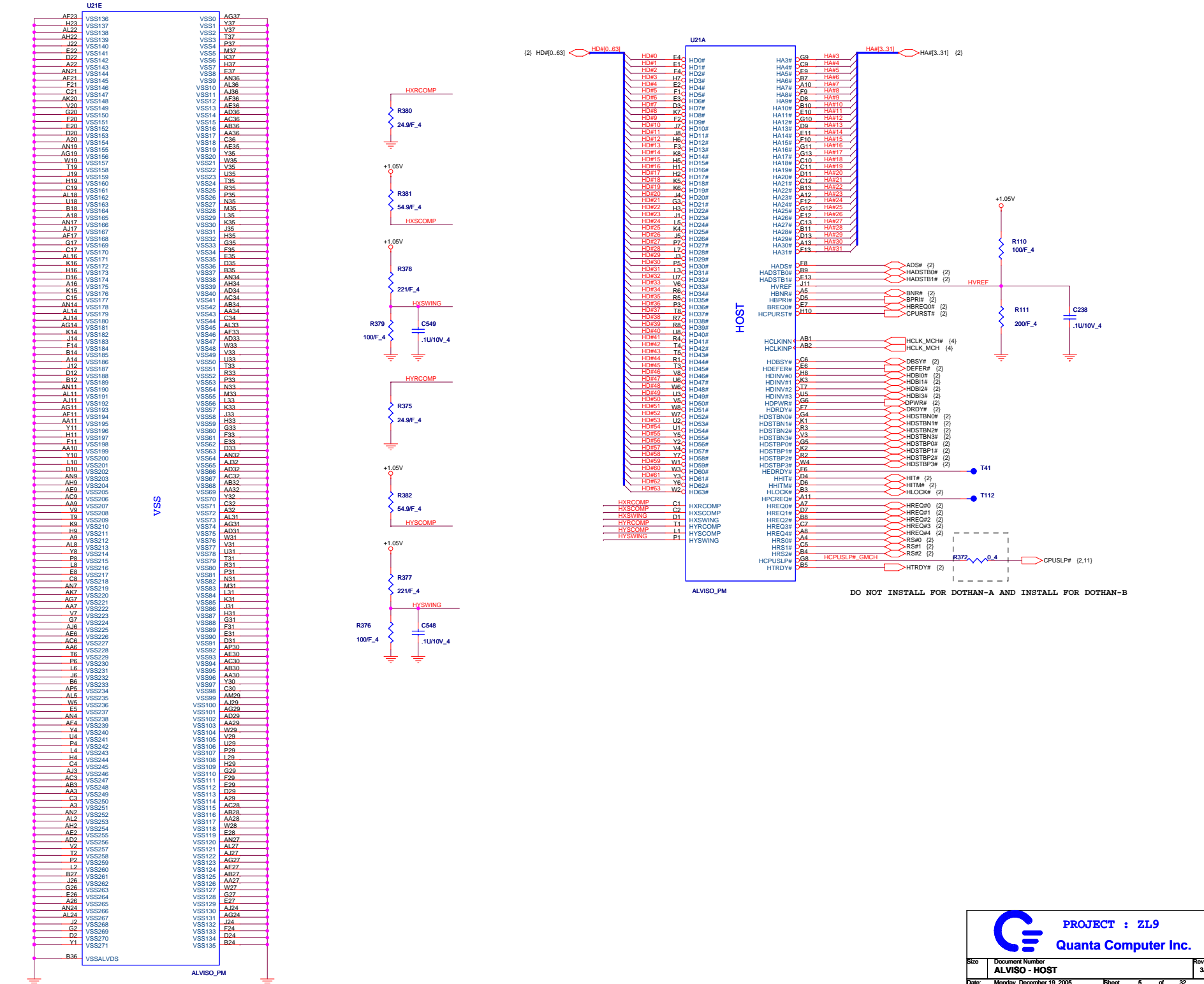
SMBus address : D2

- HCLK\_CPU R395 49.9/F 4
- HCLK\_CPU# R394 49.9/F 4
- HCLK\_MCH R393 49.9/F 4
- HCLK\_MCH# R392 49.9/F 4
- CLK\_MCH\_3GPLL R389 49.9/F 4
- CLK\_MCH\_3GPLL# R388 49.9/F 4
- DOT96 R166 49.9/F 4
- DOT96# R165 49.9/F 4
- DREFSSCLK R164 49.9/F 4
- DREFSSCLK# R163 49.9/F 4
- CLK\_PCIE\_MINI R162 49.9/F 4
- CLK\_PCIE\_MINI# R161 49.9/F 4
- CLK\_PCIE\_ICH R417 49.9/F 4
- CLK\_PCIE\_ICH# R416 49.9/F 4

- CLK\_PCIE\_VGA R391 49.9/F 4
- CLK\_PCIE\_VGA# R390 49.9/F 4
- CLK\_PCIE\_SATA R415 49.9/F 4
- CLK\_PCIE\_SATA# R414 49.9/F 4

**PROJECT : ZL9**  
**Quanta Computer Inc.**

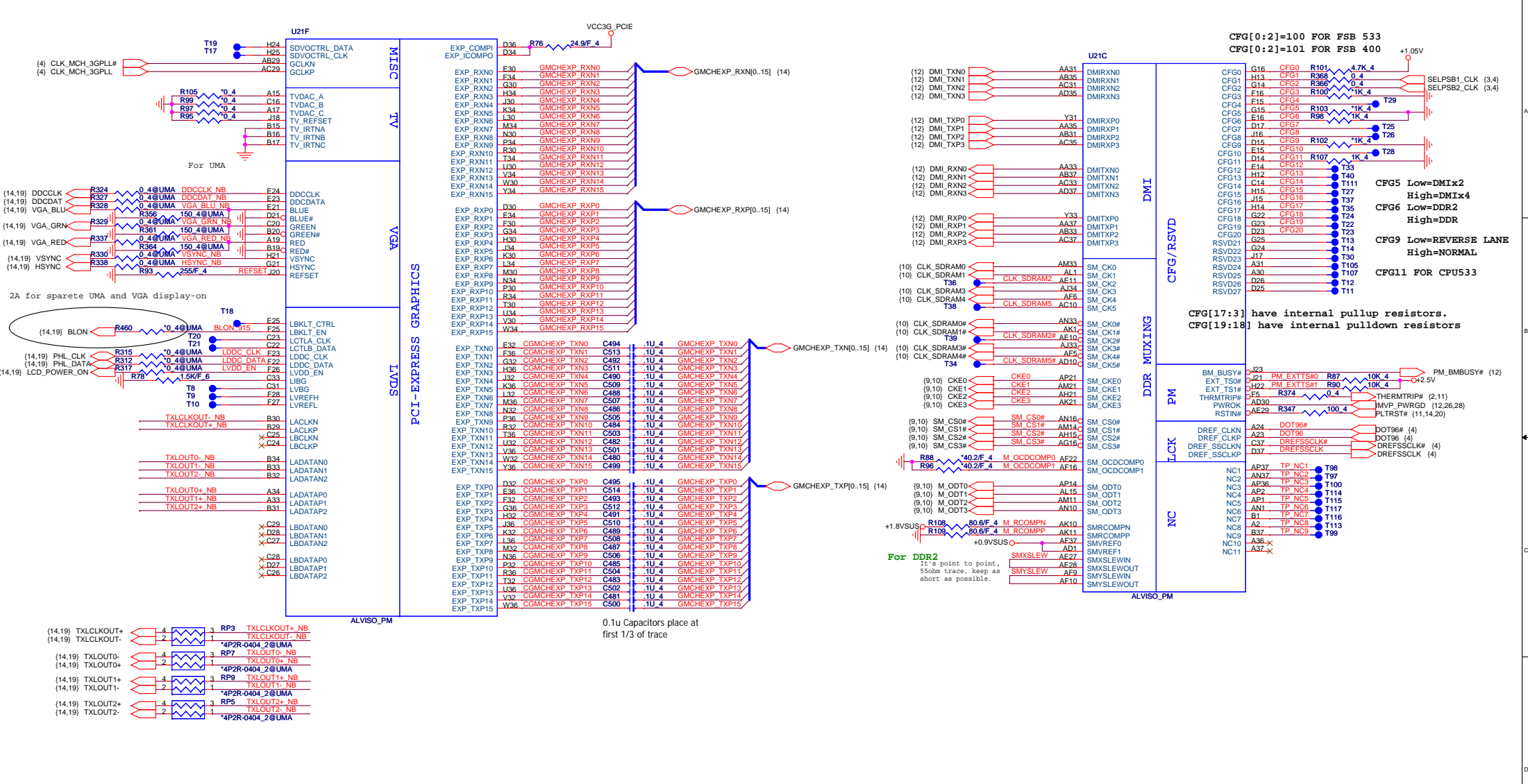
Size	Document Number	Rev
	<b>CLK GEN</b>	3A
Date:	Monday, December 19, 2005	Sheet 4 of 32



**PROJECT : ZL9**  
**Quanta Computer Inc.**

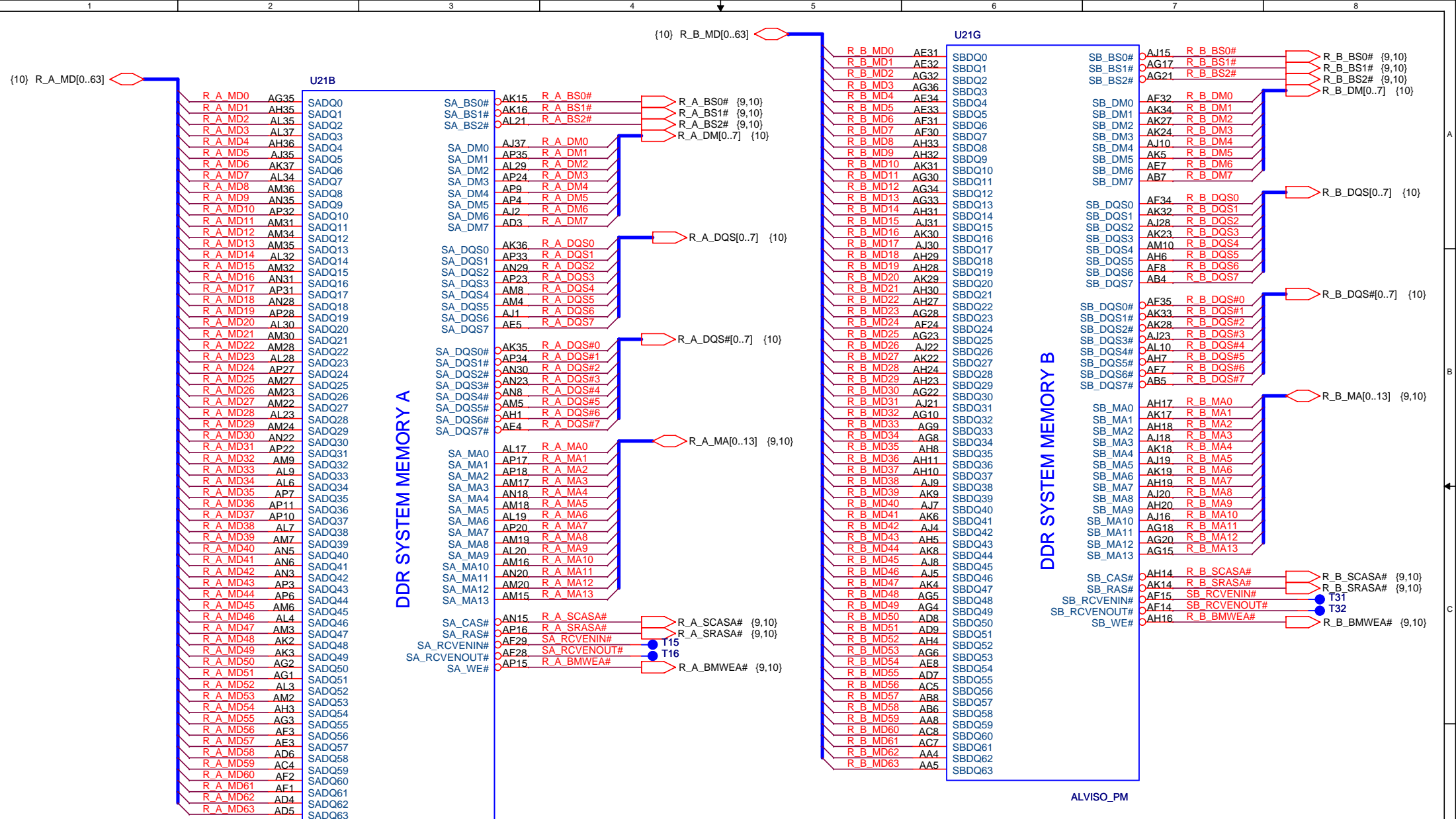
Size	Document Number	Rev
Date	ALVISO - HOST	3A
Monday, December 19, 2005	Sheet 5 of 32	





PROJECT : ZL9  
Quanta Computer Inc.

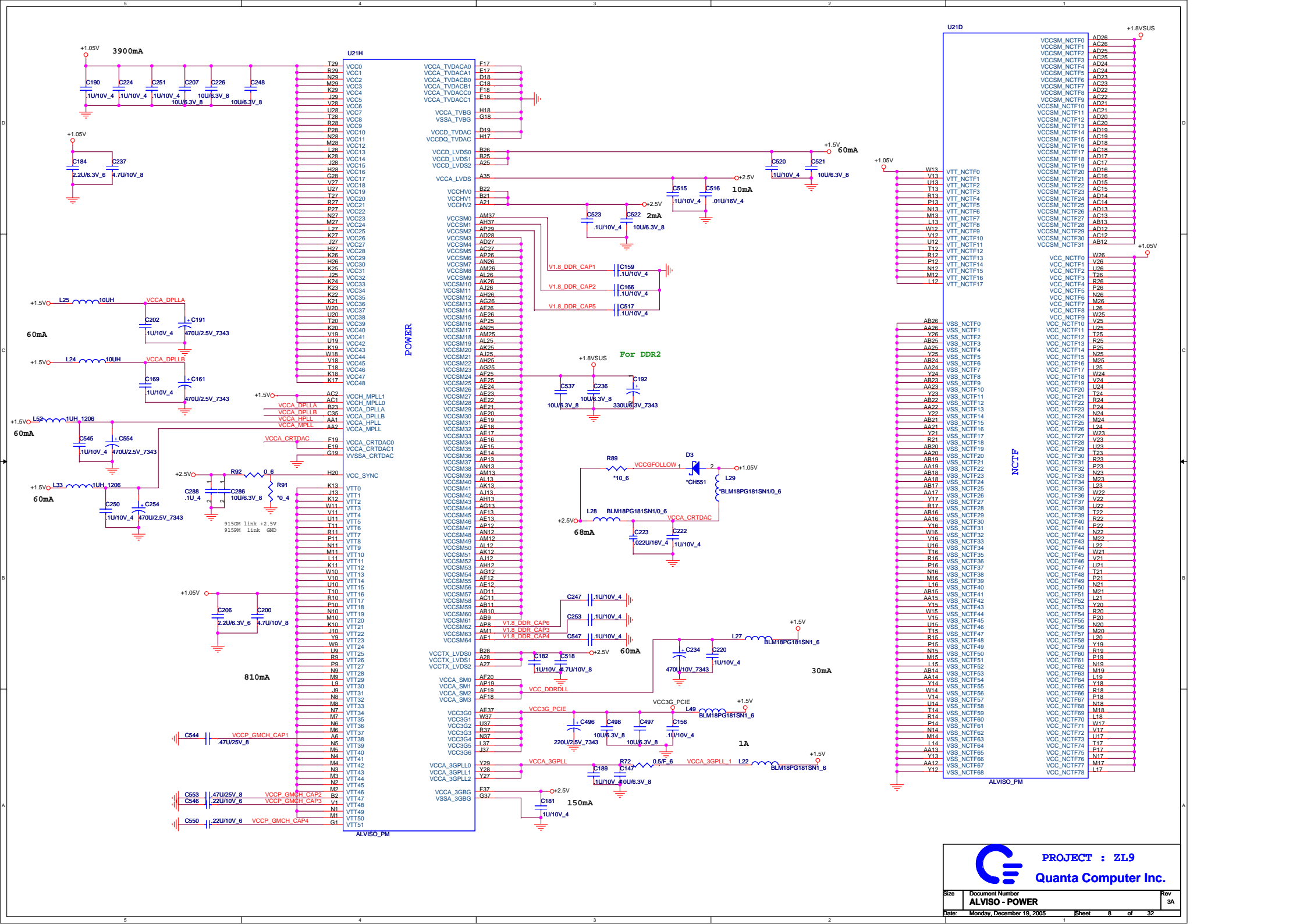
Size	Document Number	Rev
	ALVISO - DMI /VGA	3A
Date:	Monday, December 19, 2005	Sheet 6 of 32



**PROJECT : ZL9**  
**Quanta Computer Inc.**

Size	Document Number <b>ALVISO - DDRII</b>	Rev 3A
Date:	Monday, December 19, 2005	Sheet 7 of 32



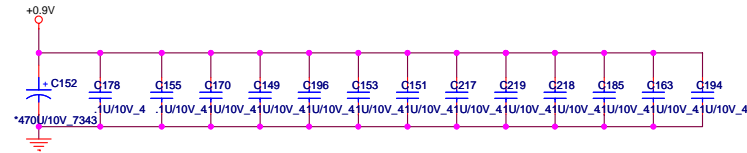


**U21D**

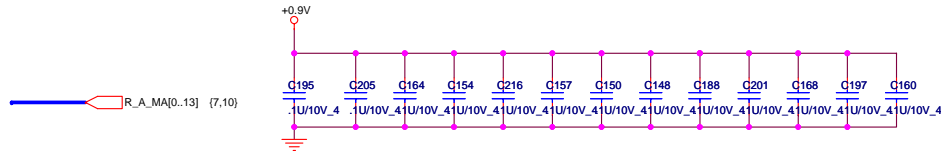
VCCSM_NCTF0	VCCSM_NCTF0	AD26
VCCSM_NCTF1	VCCSM_NCTF1	AC26
VCCSM_NCTF2	VCCSM_NCTF2	AD25
VCCSM_NCTF3	VCCSM_NCTF3	AC25
VCCSM_NCTF4	VCCSM_NCTF4	AC24
VCCSM_NCTF5	VCCSM_NCTF5	AD23
VCCSM_NCTF6	VCCSM_NCTF6	AC23
VCCSM_NCTF7	VCCSM_NCTF7	AD22
VCCSM_NCTF8	VCCSM_NCTF8	AC22
VCCSM_NCTF9	VCCSM_NCTF9	AD21
VCCSM_NCTF10	VCCSM_NCTF10	AC21
VCCSM_NCTF11	VCCSM_NCTF11	AD20
VCCSM_NCTF12	VCCSM_NCTF12	AC20
VCCSM_NCTF13	VCCSM_NCTF13	AD19
VCCSM_NCTF14	VCCSM_NCTF14	AC19
VCCSM_NCTF15	VCCSM_NCTF15	AD18
VCCSM_NCTF16	VCCSM_NCTF16	AC18
VCCSM_NCTF17	VCCSM_NCTF17	AD17
VCCSM_NCTF18	VCCSM_NCTF18	AC17
VCCSM_NCTF19	VCCSM_NCTF19	AD16
VCCSM_NCTF20	VCCSM_NCTF20	AC16
VCCSM_NCTF21	VCCSM_NCTF21	AD15
VCCSM_NCTF22	VCCSM_NCTF22	AC15
VCCSM_NCTF23	VCCSM_NCTF23	AD14
VCCSM_NCTF24	VCCSM_NCTF24	AC14
VCCSM_NCTF25	VCCSM_NCTF25	AD13
VCCSM_NCTF26	VCCSM_NCTF26	AC13
VCCSM_NCTF27	VCCSM_NCTF27	AD12
VCCSM_NCTF28	VCCSM_NCTF28	AC12
VCCSM_NCTF29	VCCSM_NCTF29	AD11
VCCSM_NCTF30	VCCSM_NCTF30	AC11
VCCSM_NCTF31	VCCSM_NCTF31	AD10
VCC_NCTF0	VCC_NCTF0	W26
VCC_NCTF1	VCC_NCTF1	W26
VCC_NCTF2	VCC_NCTF2	W26
VCC_NCTF3	VCC_NCTF3	W26
VCC_NCTF4	VCC_NCTF4	W26
VCC_NCTF5	VCC_NCTF5	W26
VCC_NCTF6	VCC_NCTF6	W26
VCC_NCTF7	VCC_NCTF7	W26
VCC_NCTF8	VCC_NCTF8	W26
VCC_NCTF9	VCC_NCTF9	W26
VCC_NCTF10	VCC_NCTF10	W26
VCC_NCTF11	VCC_NCTF11	W26
VCC_NCTF12	VCC_NCTF12	W26
VCC_NCTF13	VCC_NCTF13	W26
VCC_NCTF14	VCC_NCTF14	W26
VCC_NCTF15	VCC_NCTF15	W26
VCC_NCTF16	VCC_NCTF16	W26
VCC_NCTF17	VCC_NCTF17	W26
VCC_NCTF18	VCC_NCTF18	W26
VCC_NCTF19	VCC_NCTF19	W26
VCC_NCTF20	VCC_NCTF20	W26
VCC_NCTF21	VCC_NCTF21	W26
VCC_NCTF22	VCC_NCTF22	W26
VCC_NCTF23	VCC_NCTF23	W26
VCC_NCTF24	VCC_NCTF24	W26
VCC_NCTF25	VCC_NCTF25	W26
VCC_NCTF26	VCC_NCTF26	W26
VCC_NCTF27	VCC_NCTF27	W26
VCC_NCTF28	VCC_NCTF28	W26
VCC_NCTF29	VCC_NCTF29	W26
VCC_NCTF30	VCC_NCTF30	W26
VCC_NCTF31	VCC_NCTF31	W26
VSS_NCTF9	VSS_NCTF9	W25
VSS_NCTF10	VSS_NCTF10	W25
VSS_NCTF11	VSS_NCTF11	W25
VSS_NCTF12	VSS_NCTF12	W25
VSS_NCTF13	VSS_NCTF13	W25
VSS_NCTF14	VSS_NCTF14	W25
VSS_NCTF15	VSS_NCTF15	W25
VSS_NCTF16	VSS_NCTF16	W25
VSS_NCTF17	VSS_NCTF17	W25
VSS_NCTF18	VSS_NCTF18	W25
VSS_NCTF19	VSS_NCTF19	W25
VSS_NCTF20	VSS_NCTF20	W25
VSS_NCTF21	VSS_NCTF21	W25
VSS_NCTF22	VSS_NCTF22	W25
VSS_NCTF23	VSS_NCTF23	W25
VSS_NCTF24	VSS_NCTF24	W25
VSS_NCTF25	VSS_NCTF25	W25
VSS_NCTF26	VSS_NCTF26	W25
VSS_NCTF27	VSS_NCTF27	W25
VSS_NCTF28	VSS_NCTF28	W25
VSS_NCTF29	VSS_NCTF29	W25
VSS_NCTF30	VSS_NCTF30	W25
VSS_NCTF31	VSS_NCTF31	W25
VSS_NCTF32	VSS_NCTF32	W25
VSS_NCTF33	VSS_NCTF33	W25
VSS_NCTF34	VSS_NCTF34	W25
VSS_NCTF35	VSS_NCTF35	W25
VSS_NCTF36	VSS_NCTF36	W25
VSS_NCTF37	VSS_NCTF37	W25
VSS_NCTF38	VSS_NCTF38	W25
VSS_NCTF39	VSS_NCTF39	W25
VSS_NCTF40	VSS_NCTF40	W25
VSS_NCTF41	VSS_NCTF41	W25
VSS_NCTF42	VSS_NCTF42	W25
VSS_NCTF43	VSS_NCTF43	W25
VSS_NCTF44	VSS_NCTF44	W25
VSS_NCTF45	VSS_NCTF45	W25
VSS_NCTF46	VSS_NCTF46	W25
VSS_NCTF47	VSS_NCTF47	W25
VSS_NCTF48	VSS_NCTF48	W25
VSS_NCTF49	VSS_NCTF49	W25
VSS_NCTF50	VSS_NCTF50	W25
VSS_NCTF51	VSS_NCTF51	W25
VSS_NCTF52	VSS_NCTF52	W25
VSS_NCTF53	VSS_NCTF53	W25
VSS_NCTF54	VSS_NCTF54	W25
VSS_NCTF55	VSS_NCTF55	W25
VSS_NCTF56	VSS_NCTF56	W25
VSS_NCTF57	VSS_NCTF57	W25
VSS_NCTF58	VSS_NCTF58	W25
VSS_NCTF59	VSS_NCTF59	W25
VSS_NCTF60	VSS_NCTF60	W25
VSS_NCTF61	VSS_NCTF61	W25
VSS_NCTF62	VSS_NCTF62	W25
VSS_NCTF63	VSS_NCTF63	W25
VSS_NCTF64	VSS_NCTF64	W25
VSS_NCTF65	VSS_NCTF65	W25
VSS_NCTF66	VSS_NCTF66	W25
VSS_NCTF67	VSS_NCTF67	W25
VSS_NCTF68	VSS_NCTF68	W25

**ALVISO\_PM**

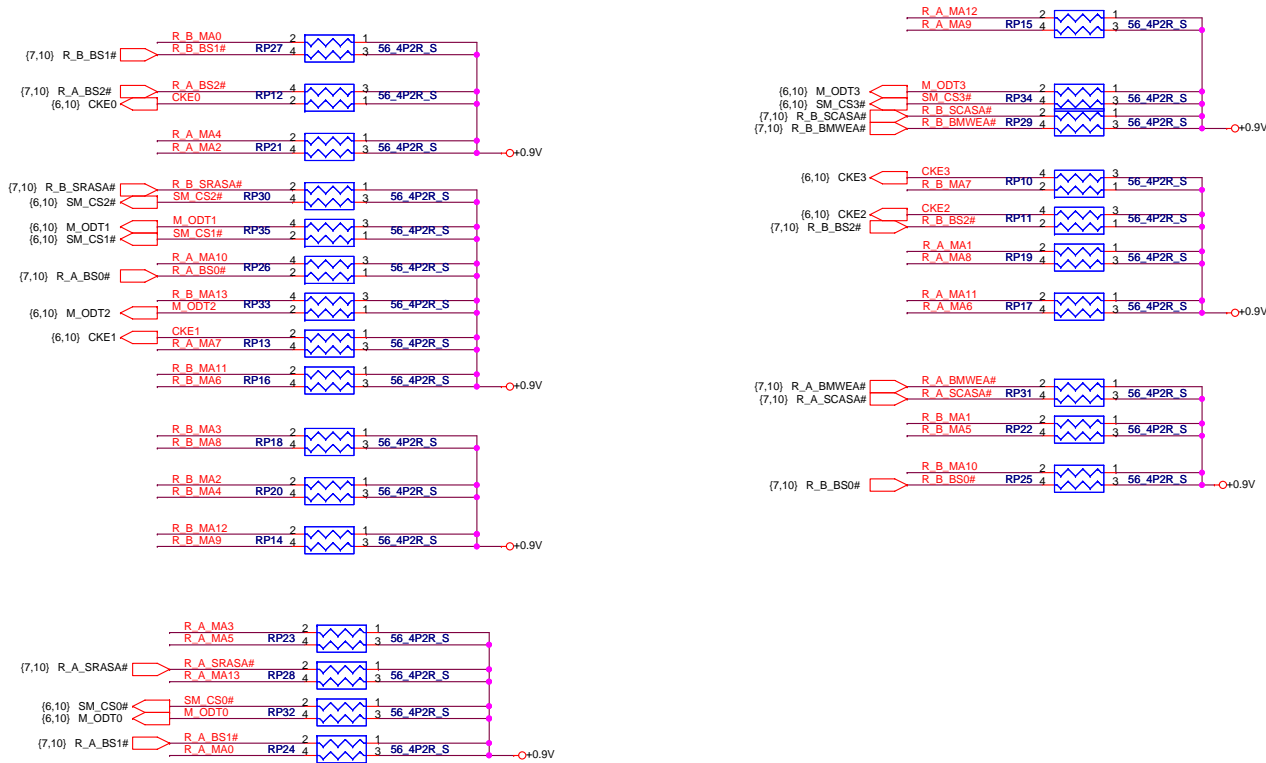
**PROJECT : ZL9**  
**Quanta Computer Inc.**

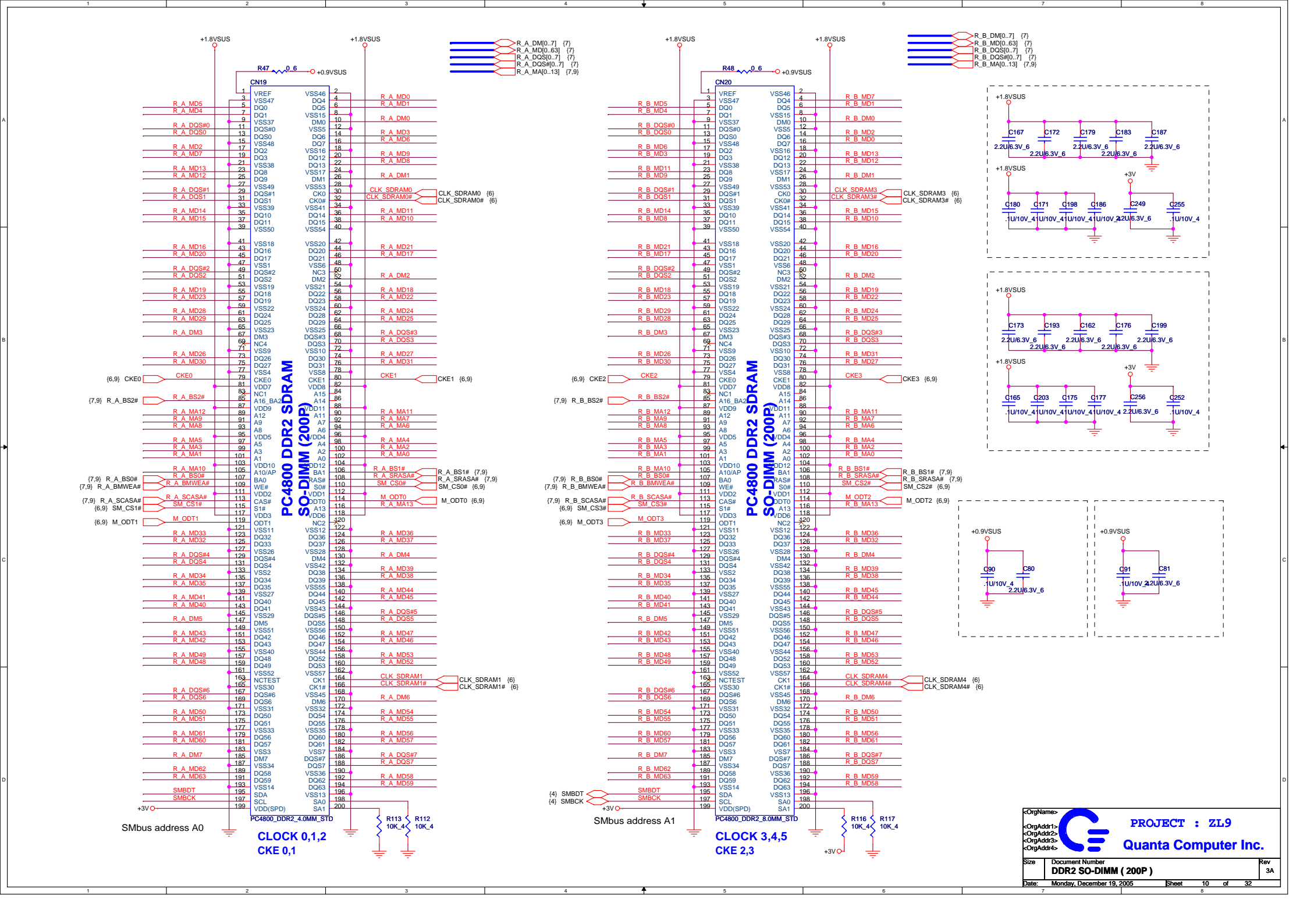


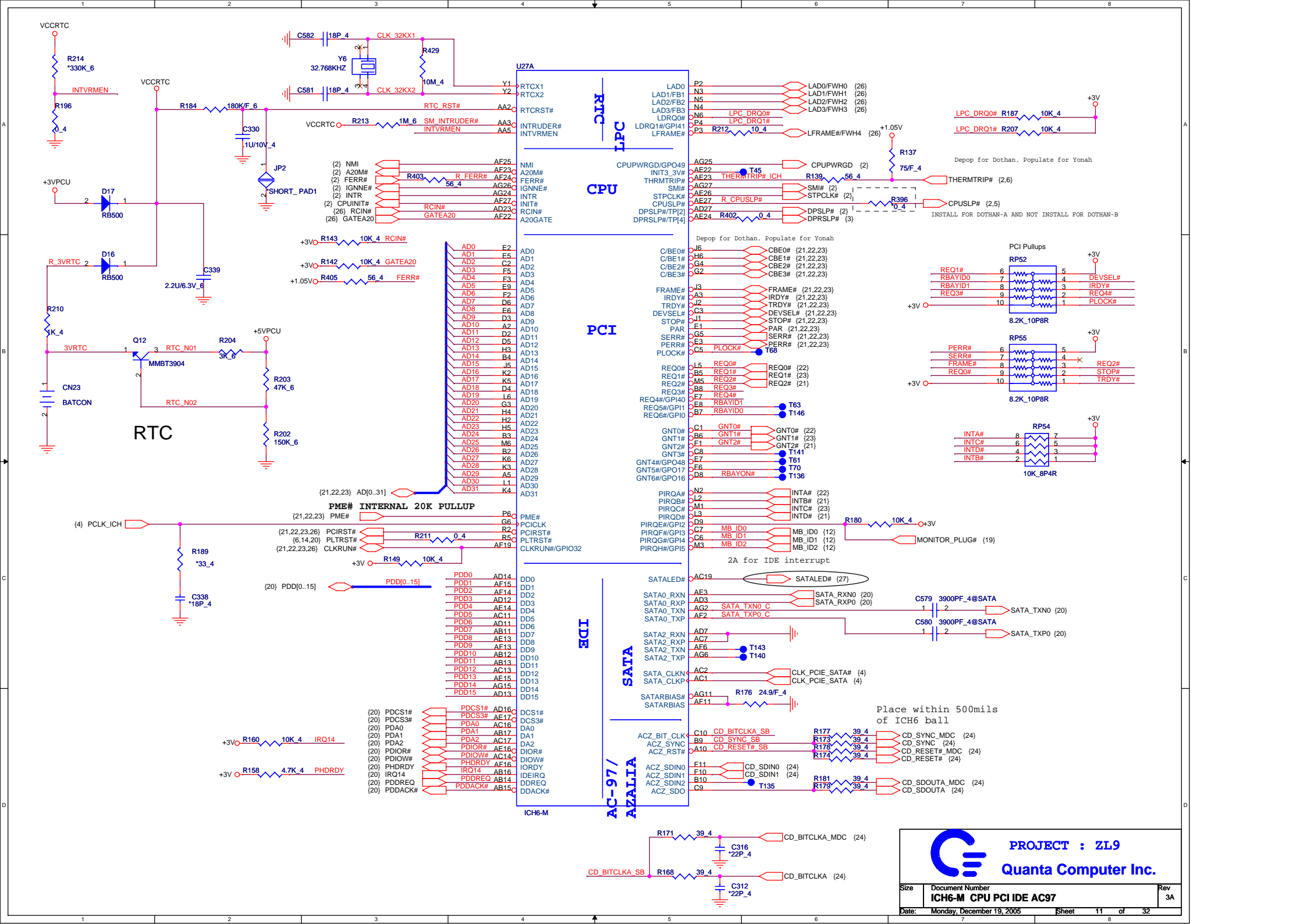
Layout note: Place one cap close to every 2 pullup resistors terminated to +0.9V



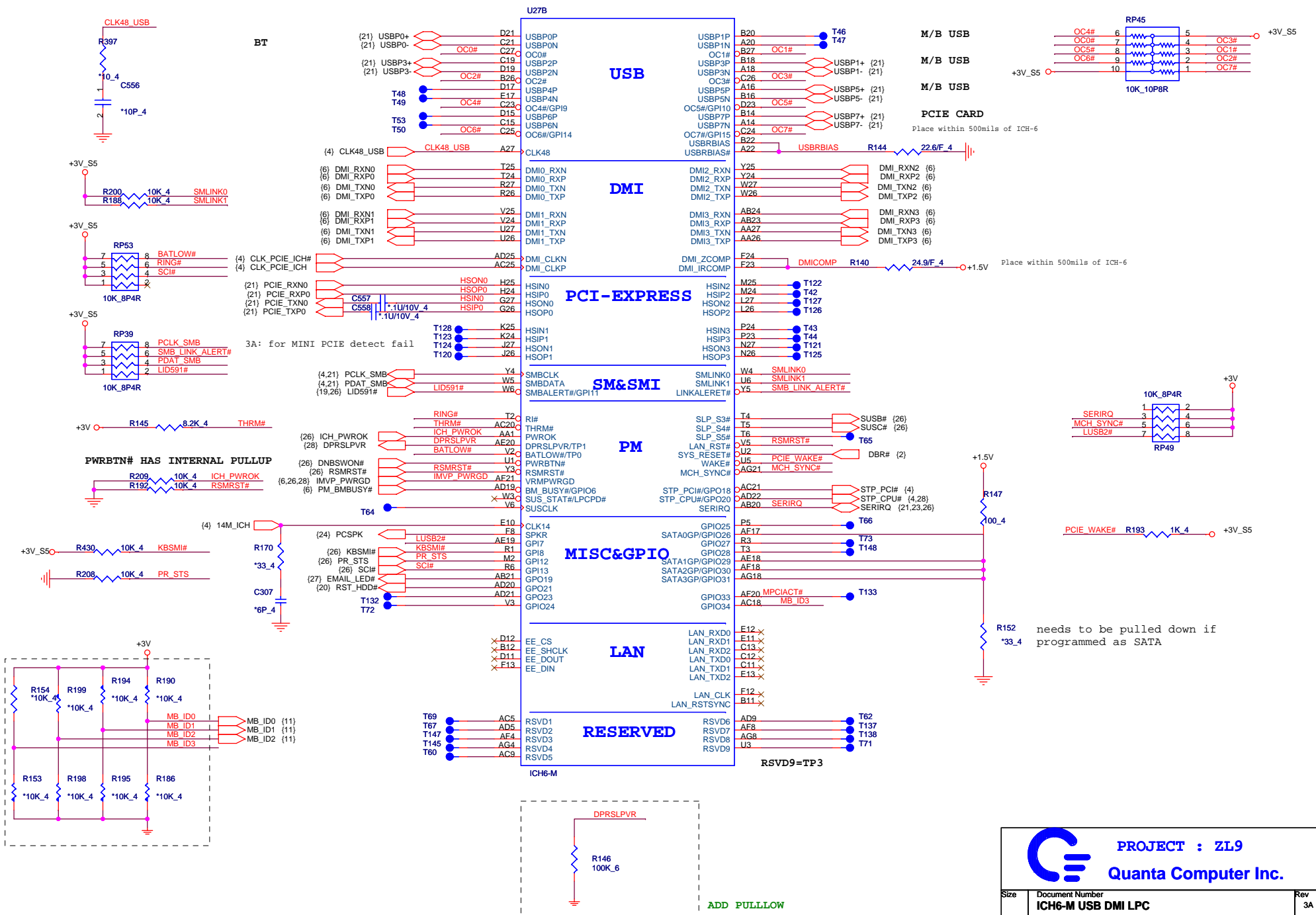
Layout note: Place one cap close to every 2 pullup resistors terminated to +0.9V

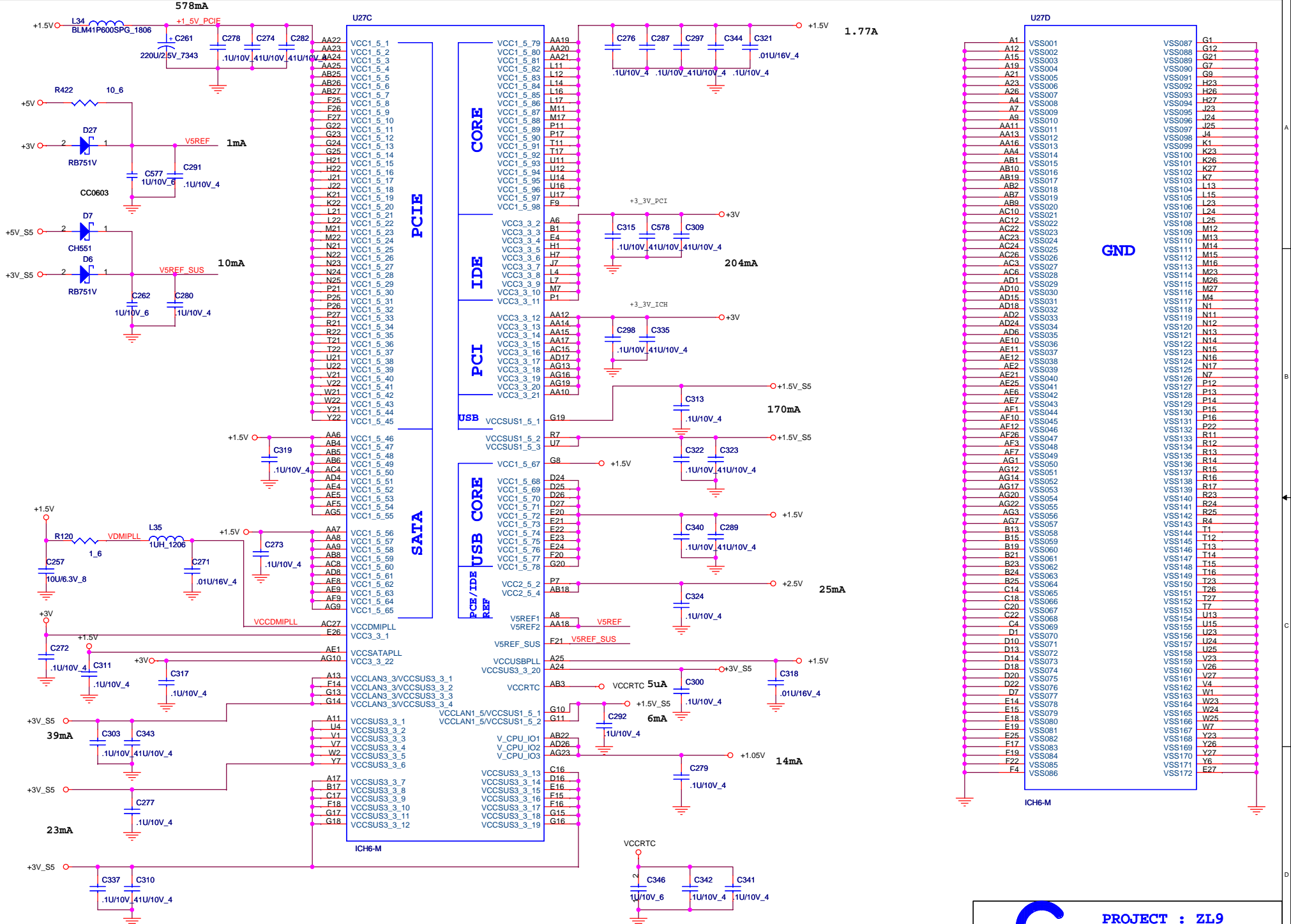






**PROJECT : ZL9**  
**Quanta Computer Inc.**

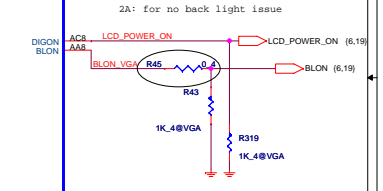
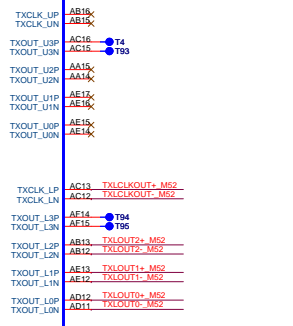
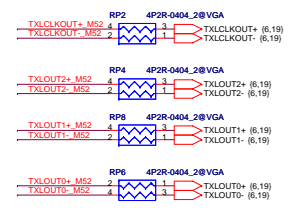
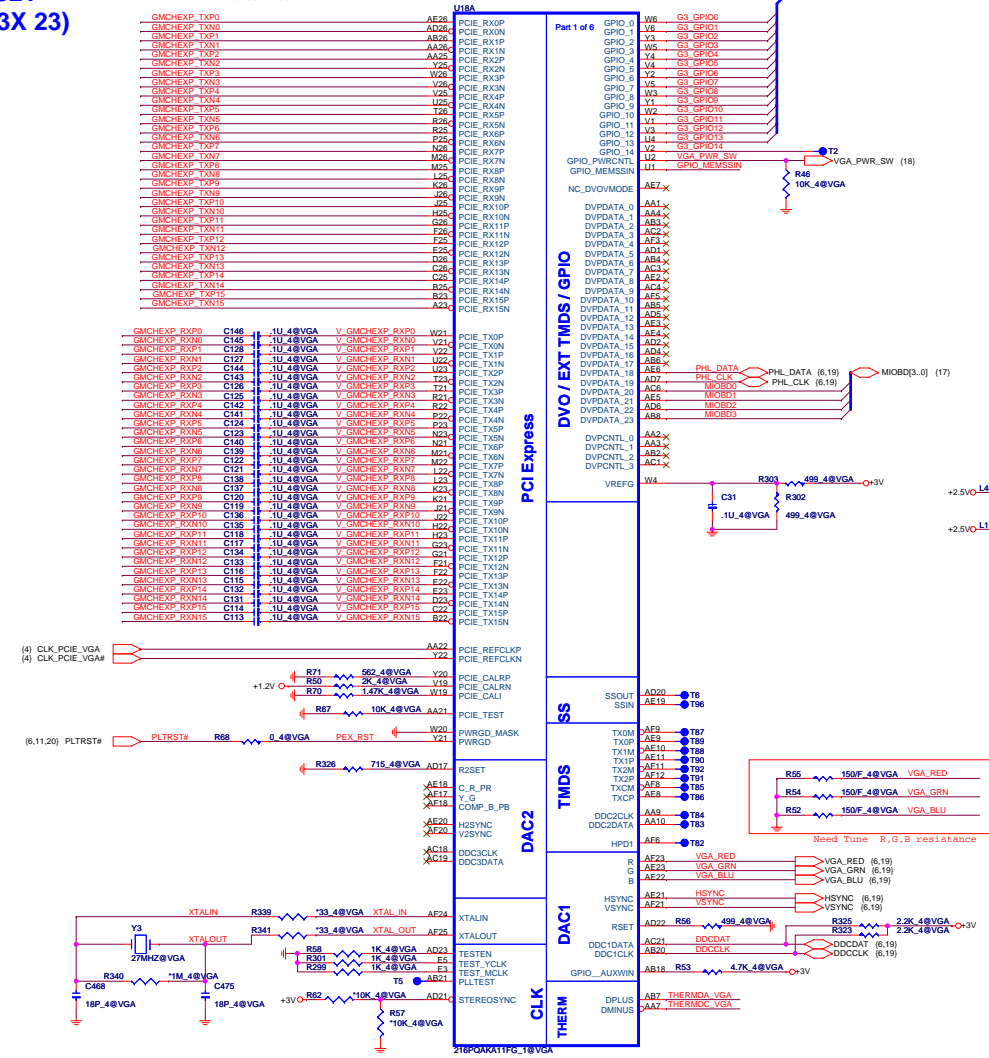




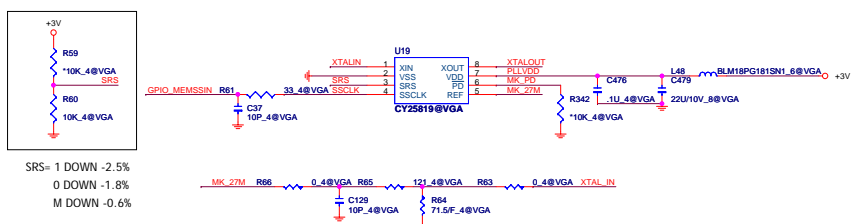


0.1u Capacitors place at last 1/3 of trace

- (8) GMCHEXP\_TXP0(15)
- (8) GMCHEXP\_TXN0(16)
- (8) GMCHEXP\_RXP0(16)
- (8) GMCHEXP\_RXN0(15)

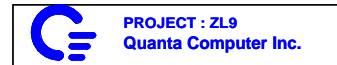
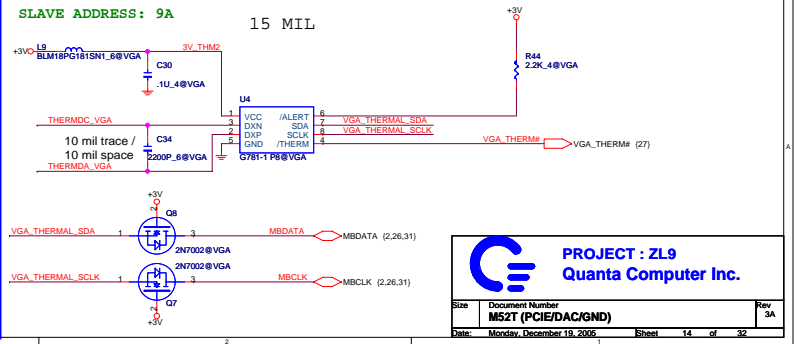


MEMORY CLOCK SPREAD SPECTRUM



SRS= 1 DOWN -2.5%  
 0 DOWN -1.8%  
 M DOWN -0.6%

Thermal Sensor for Graphic



{18} VMA\_DQ[63.0]

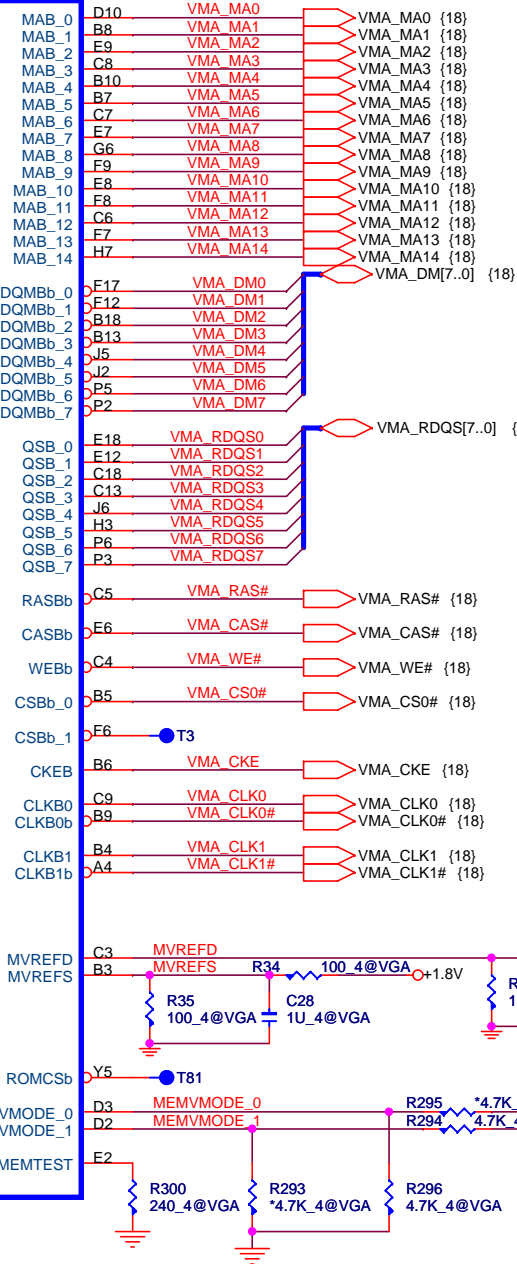
- VMA\_DQ0 F16
- VMA\_DQ1 E20
- VMA\_DQ2 E16
- VMA\_DQ3 E19
- VMA\_DQ4 F19
- VMA\_DQ5 E17
- VMA\_DQ6 E15
- VMA\_DQ7 F18
- VMA\_DQ8 F14
- VMA\_DQ9 F13
- VMA\_DQ10 E14
- VMA\_DQ11 E13
- VMA\_DQ12 F10
- VMA\_DQ13 E10
- VMA\_DQ14 F11
- VMA\_DQ15 E11
- VMA\_DQ16 C20
- VMA\_DQ17 B19
- VMA\_DQ18 B20
- VMA\_DQ19 C19
- VMA\_DQ20 C16
- VMA\_DQ21 C17
- VMA\_DQ22 B16
- VMA\_DQ23 B17
- VMA\_DQ24 B12
- VMA\_DQ25 C15
- VMA\_DQ26 C11
- VMA\_DQ27 B15
- VMA\_DQ28 C14
- VMA\_DQ29 B11
- VMA\_DQ30 B14
- VMA\_DQ31 C12
- VMA\_DQ32 F5
- VMA\_DQ33 G5
- VMA\_DQ34 H6
- VMA\_DQ35 H5
- VMA\_DQ36 K6
- VMA\_DQ37 K5
- VMA\_DQ38 L6
- VMA\_DQ39 L5
- VMA\_DQ40 F2
- VMA\_DQ41 G2
- VMA\_DQ42 H2
- VMA\_DQ43 G3
- VMA\_DQ44 K2
- VMA\_DQ45 L2
- VMA\_DQ46 J3
- VMA\_DQ47 K3
- VMA\_DQ48 M5
- VMA\_DQ49 M6
- VMA\_DQ50 N6
- VMA\_DQ51 N5
- VMA\_DQ52 R6
- VMA\_DQ53 U5
- VMA\_DQ54 R5
- VMA\_DQ55 T5
- VMA\_DQ56 M2
- VMA\_DQ57 M3
- VMA\_DQ58 N2
- VMA\_DQ59 N3
- VMA\_DQ60 R2
- VMA\_DQ61 R3
- VMA\_DQ62 T2
- VMA\_DQ63 T3

U18C

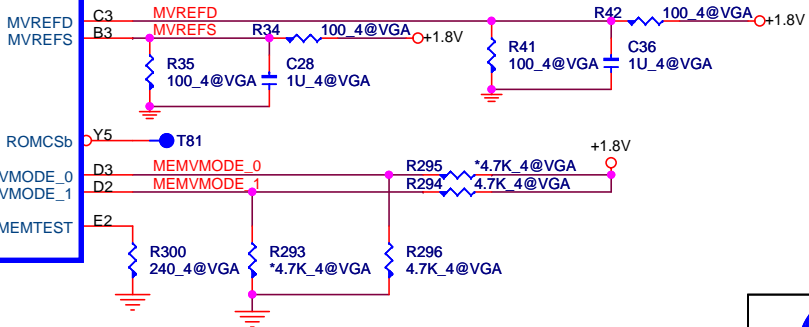
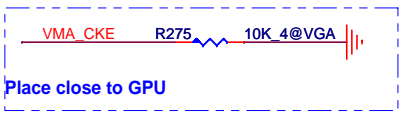
Part 3 of 6

MEMORY INTERFACE

216PQAKA11FG\_1@VGA

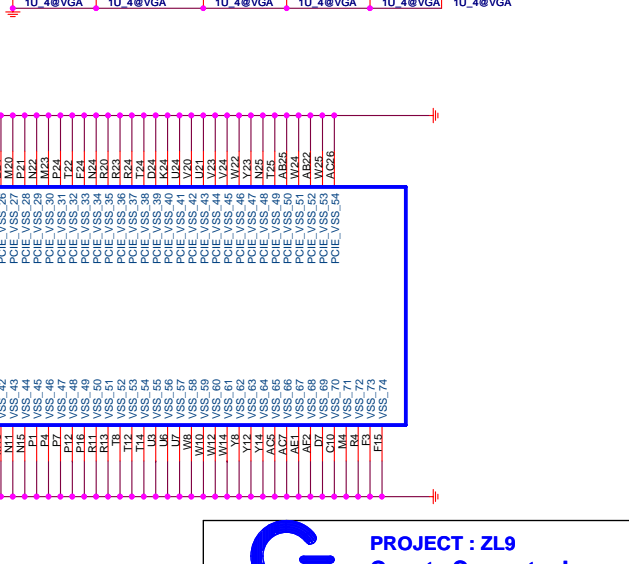
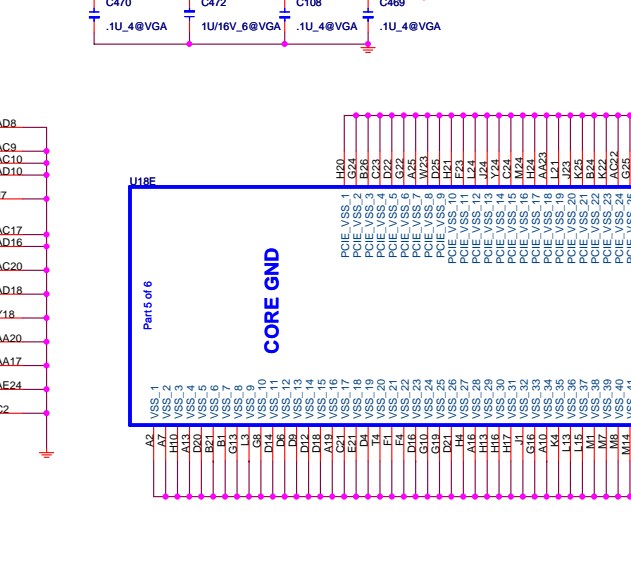
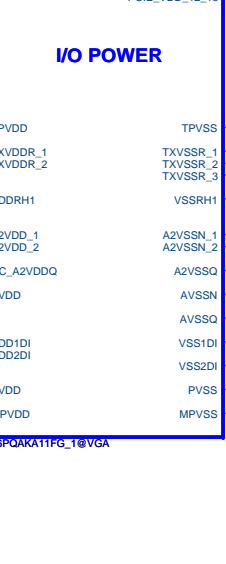
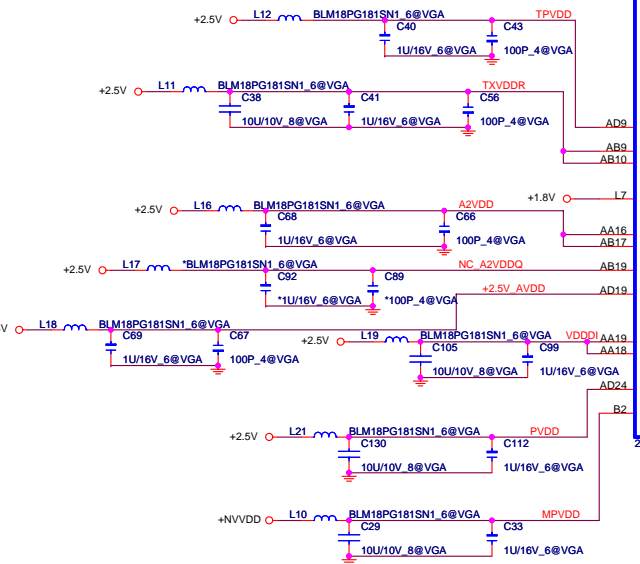
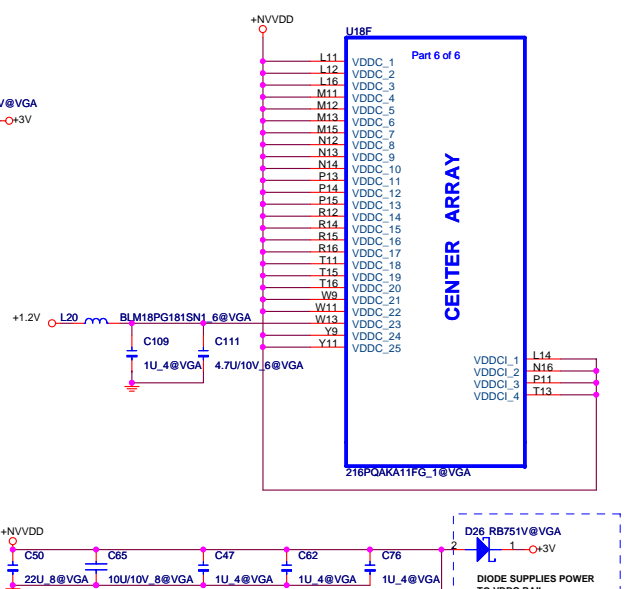
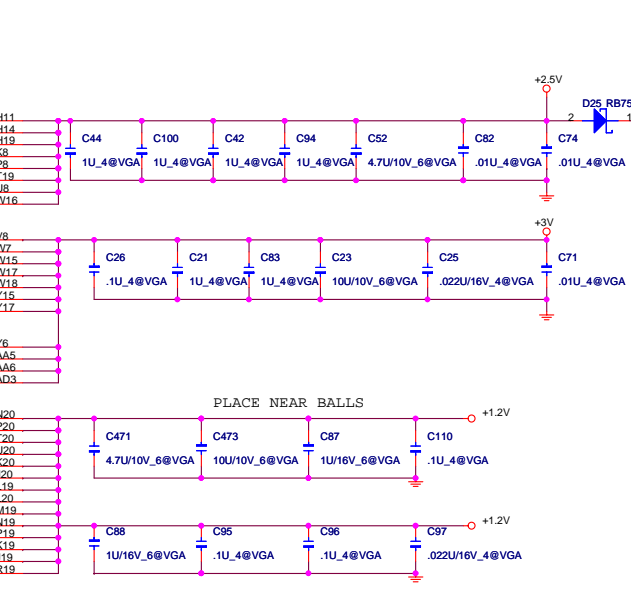
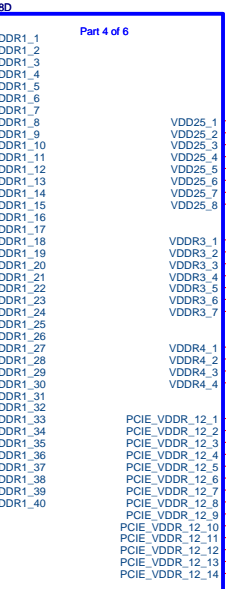
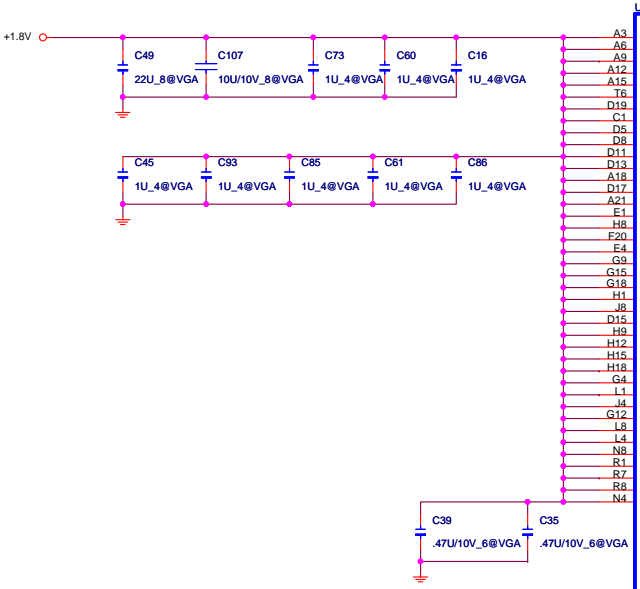


VDDR1	MEMVMODE_0	MEMVMODE_1
1.8V	GND	+VDDC_CT
2.5V	+VDDC_CT	GND
2.8V	+VDDC_CT	+VDDC_CT



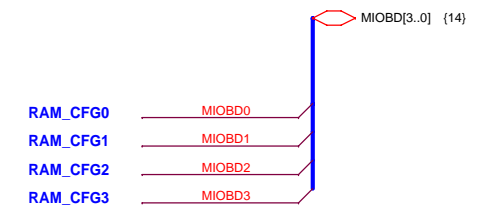
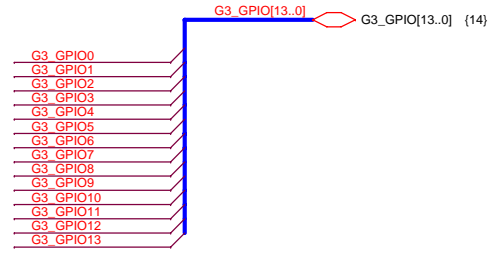
**PROJECT : ZL9**  
**Quanta Computer Inc.**

Size	Document Number <b>M52T (MEMORY A/B)</b>	Rev 3A
Date:	Monday, December 19, 2005	Sheet 15 of 32



**PROJECT : ZL9**  
**Quanta Computer Inc.**

Size	Document Number	Rev
	<b>M52T (POWER)</b>	<b>3A</b>
Date:	Monday, December 19, 2005	Sheet 16 of 32



M52T VRAM Configuration Table

RAM_CFG[3:0]	DESCRIPTION
0000	DDR2 , 16Mx16 , 2pcs ( 64M )
0001	DDR2 , 16Mx16 , 4pcs ( 128M )
0010	DDR2 , 32Mx16 , 2pcs ( 128M )
0011	DDR2 , 32Mx16 , 4pcs ( 256M )
others	Reserved

STRAPS	PIN	DESCRIPTION	ASIC DEFAULT
TX_PWRS_ENB	G3_GPIO0	FULL SWING	1
TX_DEEMPH_EN	G3_GPIO1	TRANSMITTER DE-EMPHASIS ENABLE - TX DE-EMPHASIS DISABLED FOR MOBILE	0
DEBUG_ACCESS	G3_GPIO4	Strap to set the debug muxes to bring out DEBUG signals even if registers are inaccessible.	0
FORCE COMPLIANCE	G3_GPIO8	Force chip to get to compliance state quickly for tester purposes	0
ROMIDCFG(3:0)	G3_GPIO(9,13,12,11)	<p>128M</p> <p>256M</p> <p>64M</p> <p>Reserved</p>	<p>0000</p> <p>0010</p> <p>0100</p> <p>0110</p>

MULTIFUNC(1:0)	LCDDATA(17:16)	Multi-function device select <b>00 - single function device.</b> 01 - two function device. No AGP in either function 10 - two function device. AGP only in function 0 11 - two function device. AGP in both functions If BUSCFG pin based straps are set to PCI, then AGP will not be enabled in any function.	00
VIP_DEVICE	LCDDATA(20)	Indicates if any slave VIP host devices drove this low during reset. 0 - Slave VIP host port devices present <b>1 - No slave VIP host port devices reporting presence during reset</b>	0
DWNGRD	LCDDATA(21)	0 - Device remain a workstation grade part. 1 - Part is downgraded to a Normal part	0 (internal pull-down)

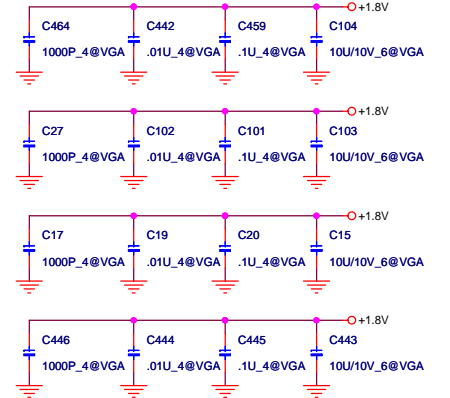
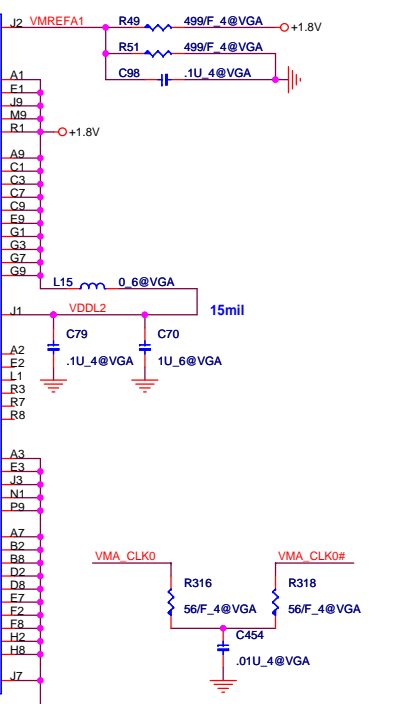
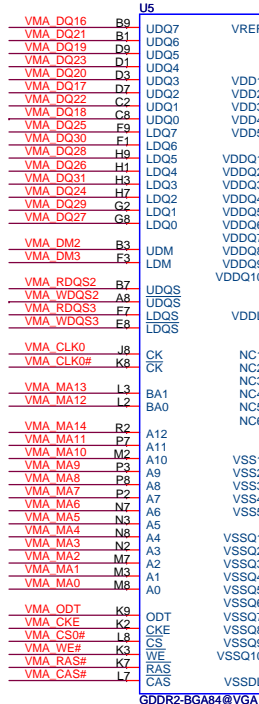
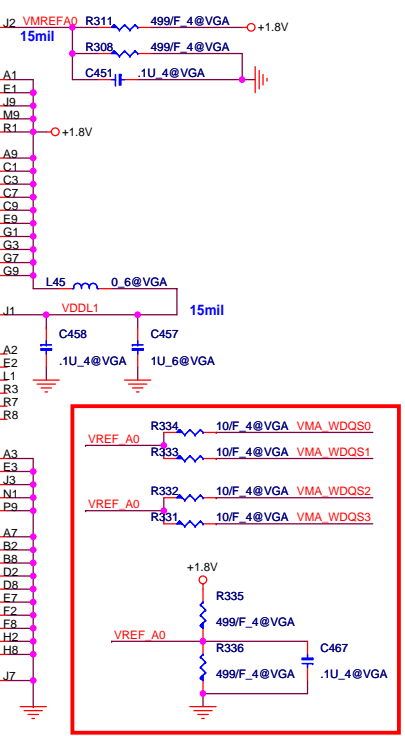
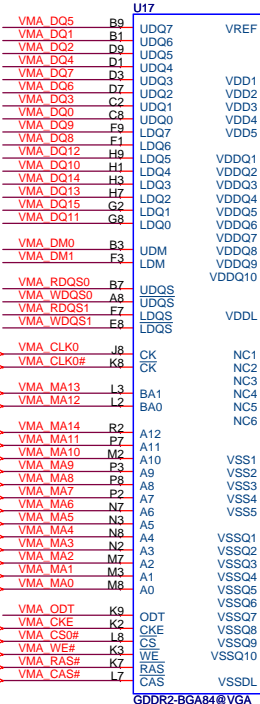


**PROJECT : ZL9**  
**Quanta Computer Inc.**

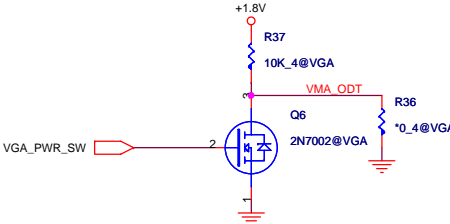
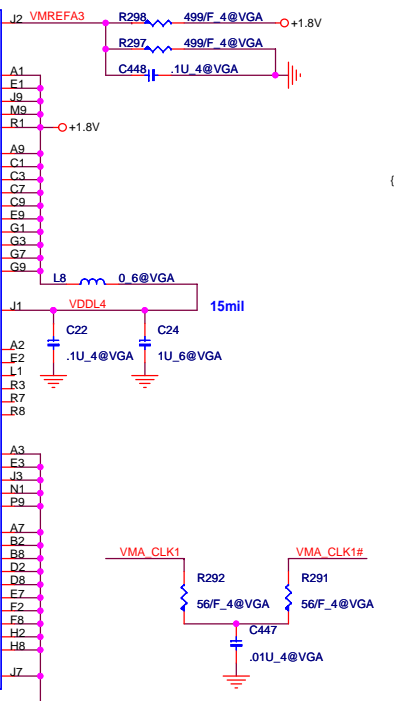
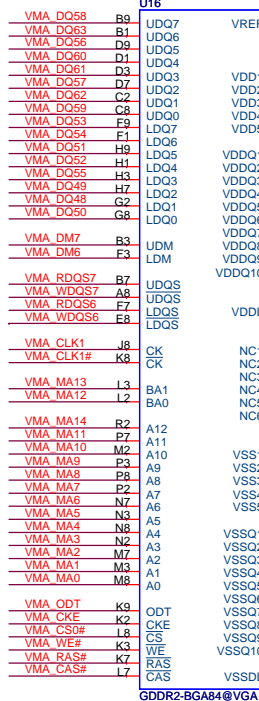
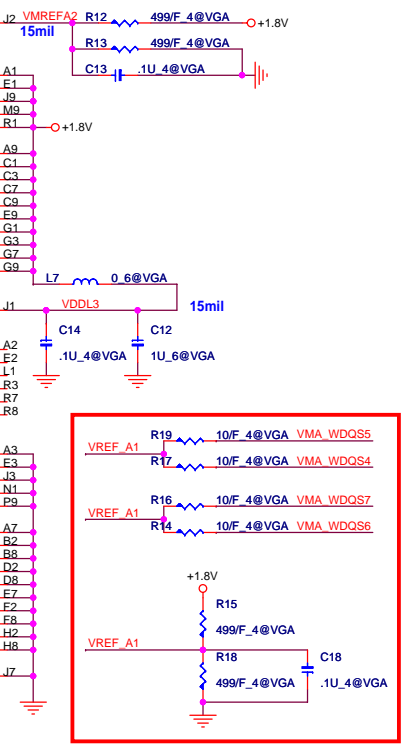
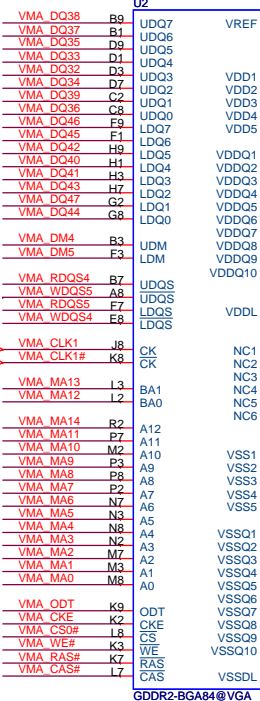
(15) VMA\_DQ[63..0]  
 (15) VMA\_DM[7..0]  
 (15) VMA\_RDQS[7..0]

256Mb : AKD5JGAT\*05  
 512Mb : AKD59G-T\*01

(15) VMA\_CLK0  
 (15) VMA\_CLK0#  
 (15) VMA\_MA13  
 (15) VMA\_MA12  
 (15) VMA\_MA14  
 (15) VMA\_MA11  
 (15) VMA\_MA10  
 (15) VMA\_MA9  
 (15) VMA\_MA8  
 (15) VMA\_MA7  
 (15) VMA\_MA6  
 (15) VMA\_MA5  
 (15) VMA\_MA4  
 (15) VMA\_MA3  
 (15) VMA\_MA2  
 (15) VMA\_MA1  
 (15) VMA\_MA0  
 (15) VMA\_CKE  
 (15) VMA\_CS0#  
 (15) VMA\_WE#  
 (15) VMA\_RAS#  
 (15) VMA\_CAS#



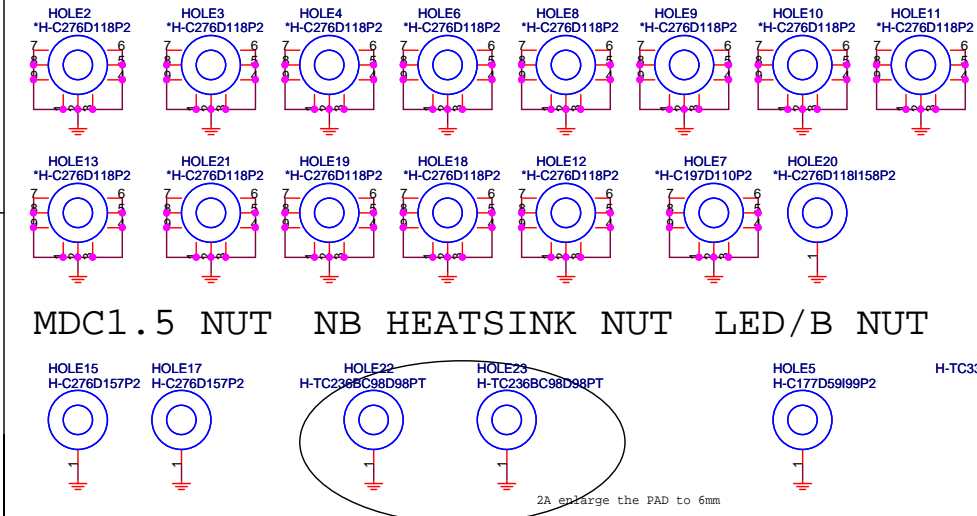
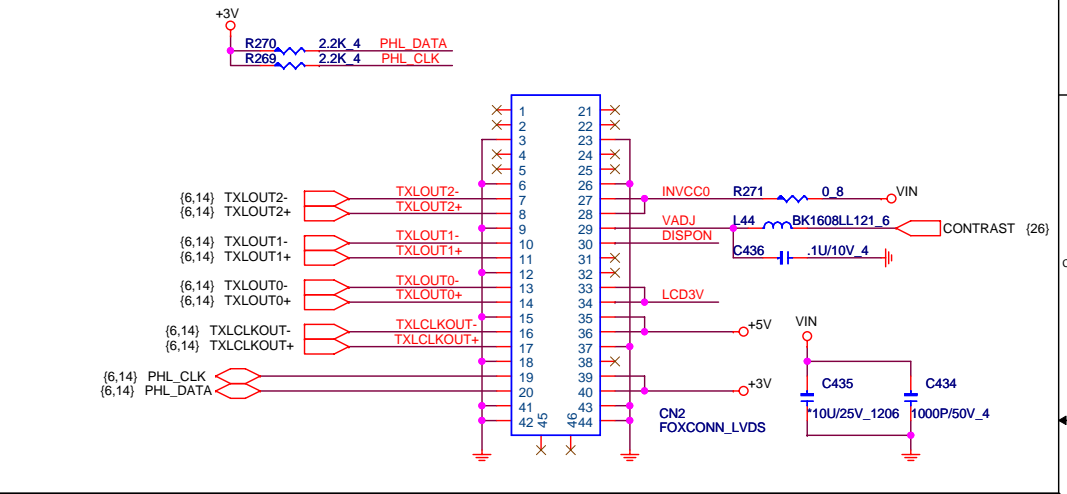
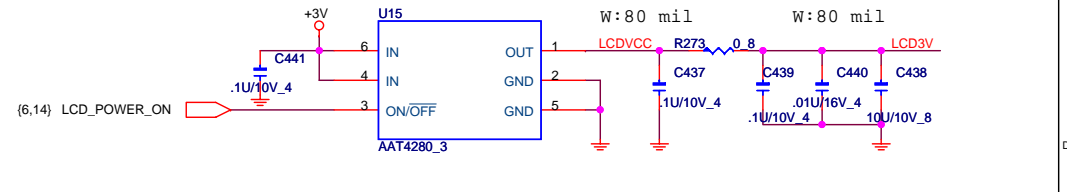
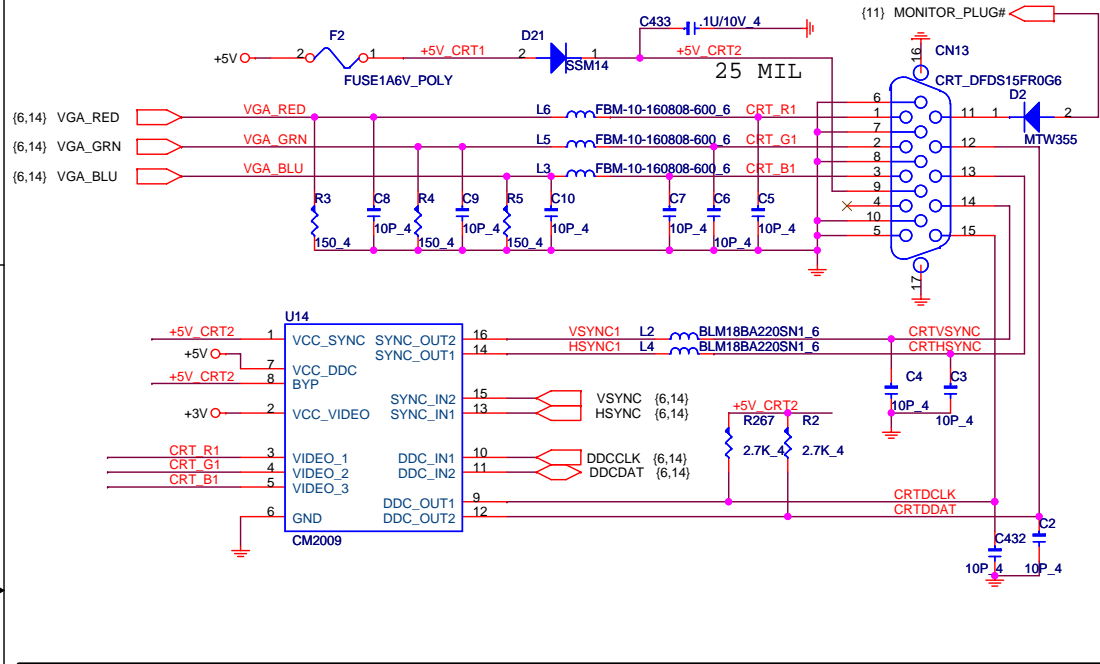
(15) VMA\_CLK1  
 (15) VMA\_CLK1#  
 (15) VMA\_MA13  
 (15) VMA\_MA12  
 (15) VMA\_MA14  
 (15) VMA\_MA11  
 (15) VMA\_MA10  
 (15) VMA\_MA9  
 (15) VMA\_MA8  
 (15) VMA\_MA7  
 (15) VMA\_MA6  
 (15) VMA\_MA5  
 (15) VMA\_MA4  
 (15) VMA\_MA3  
 (15) VMA\_MA2  
 (15) VMA\_MA1  
 (15) VMA\_MA0  
 (15) VMA\_ODT  
 (15) VMA\_CKE  
 (15) VMA\_CS0#  
 (15) VMA\_WE#  
 (15) VMA\_RAS#  
 (15) VMA\_CAS#



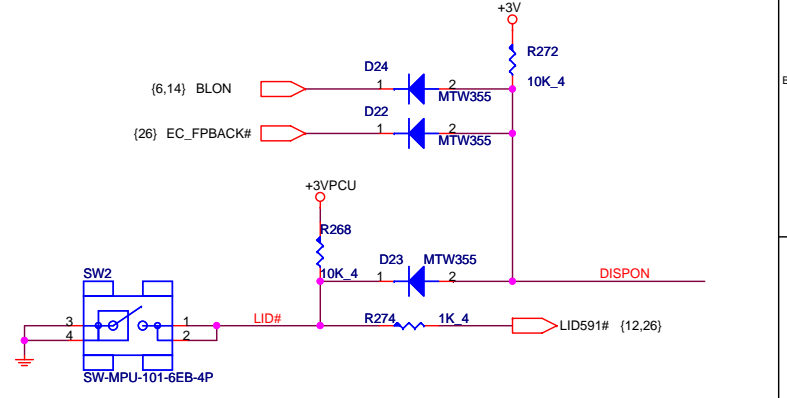
**PROJECT : ZL9**  
**Quanta Computer Inc.**

Size	Document Number	Rev
	<b>VRAM (GDDR2)</b>	3A
Date:	Monday, December 19, 2005	Sheet 18 of 32


# CRT PORT



## PCIE-CARD NUT



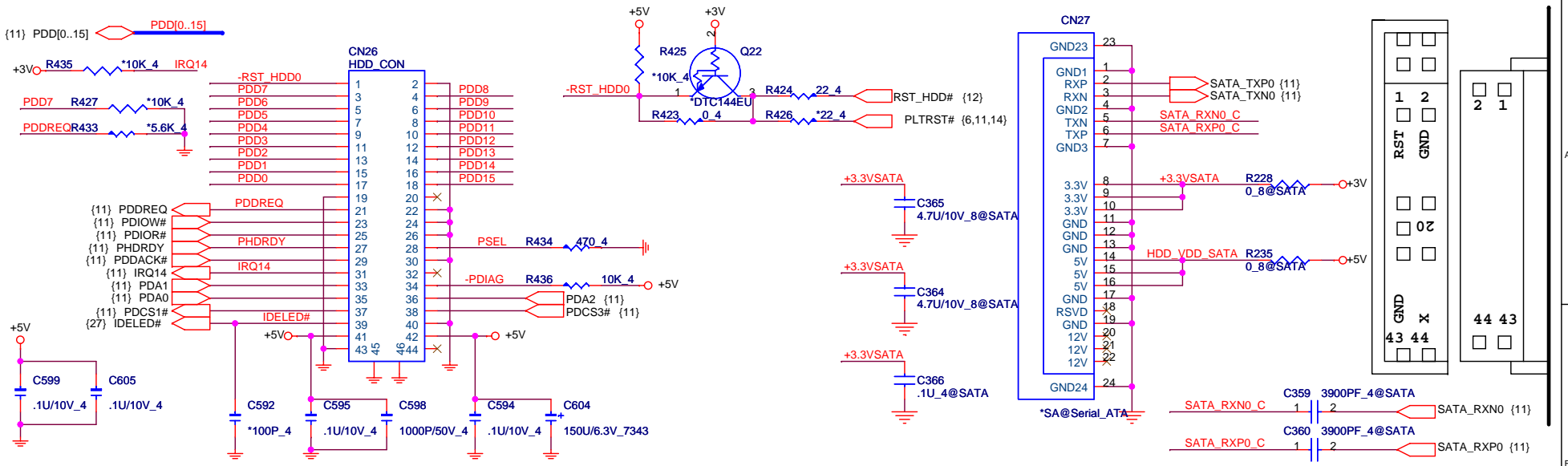
## Lid Switch



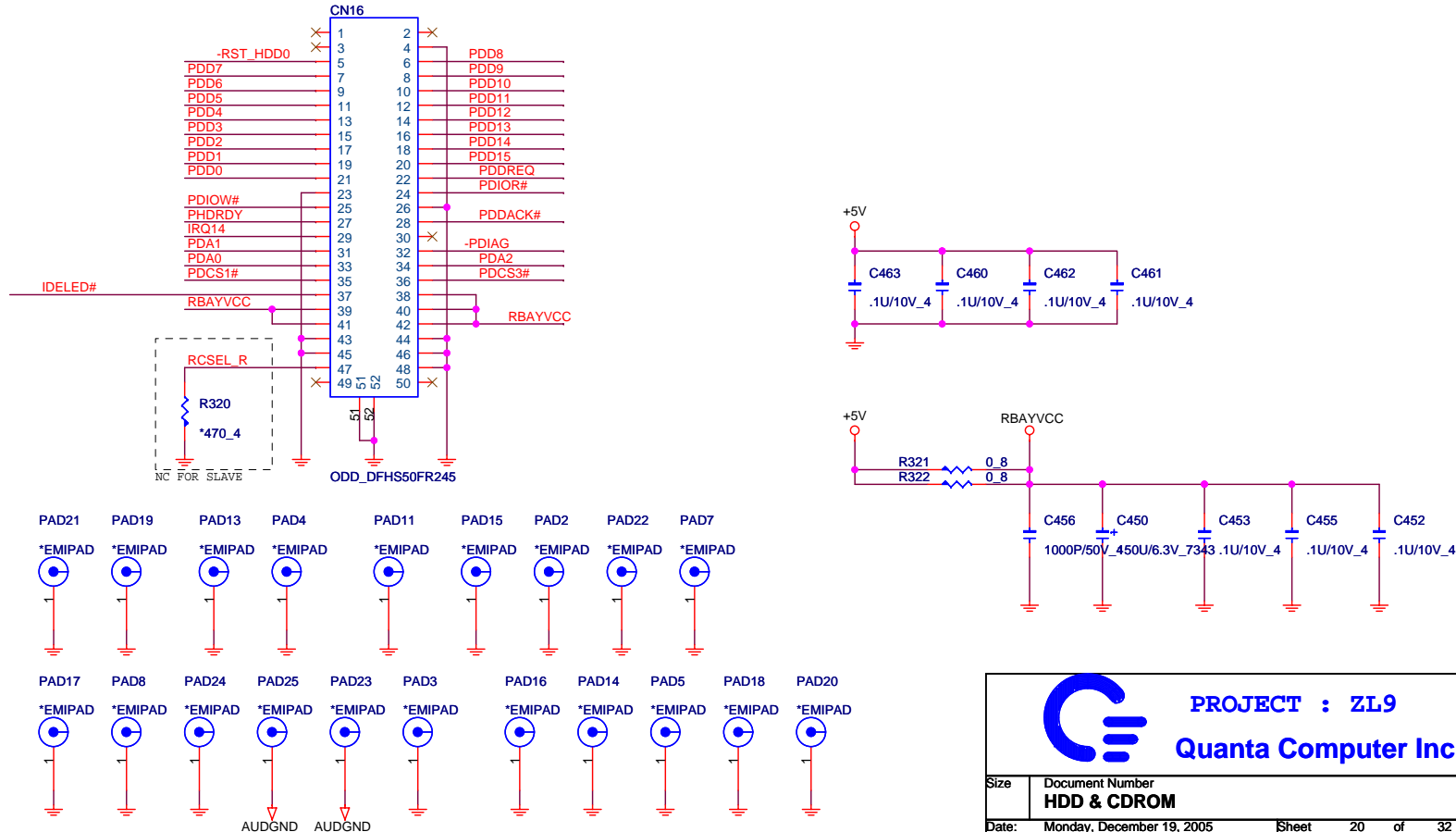
**PROJECT : ZL9**  
**Quanta Computer Inc.**


Size	Document Number	Rev
	<b>LVDS,VGA Ports, LID, &amp; HOLES</b>	<b>3A</b>
Date:	Monday, December 19, 2005	Sheet 19 of 32





**ODD Connector**



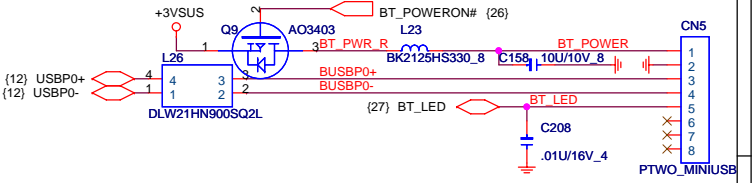
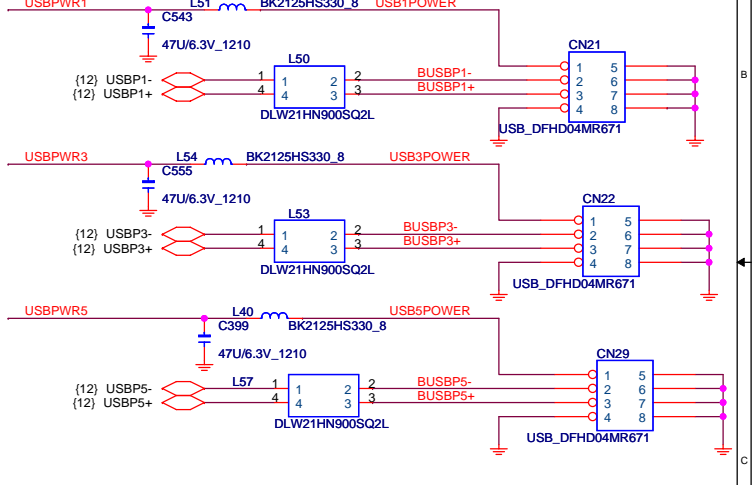
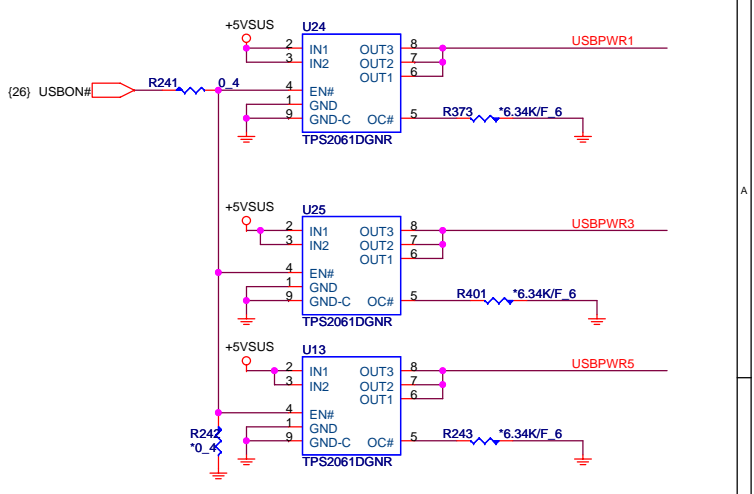
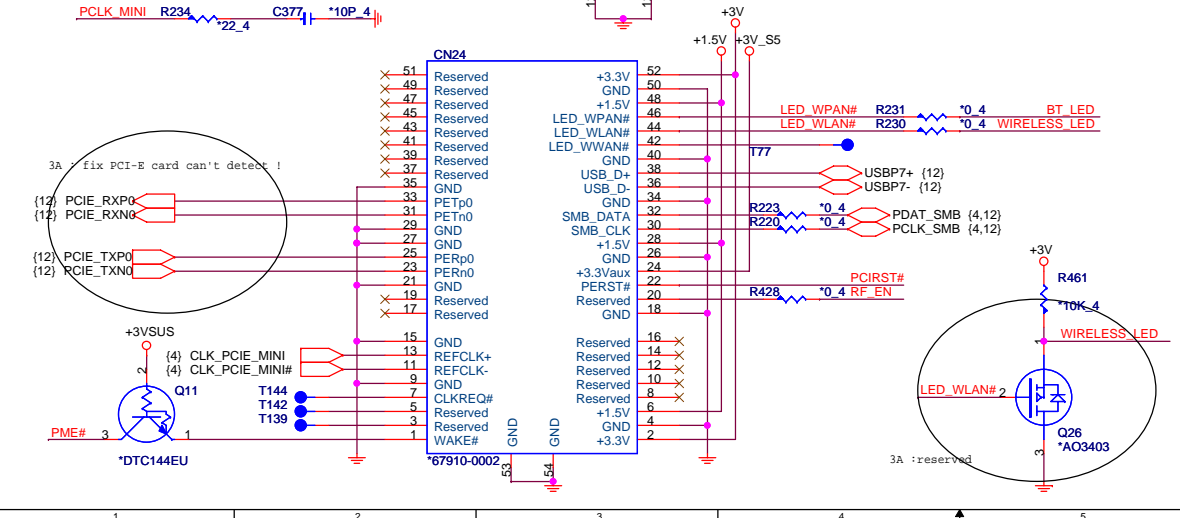
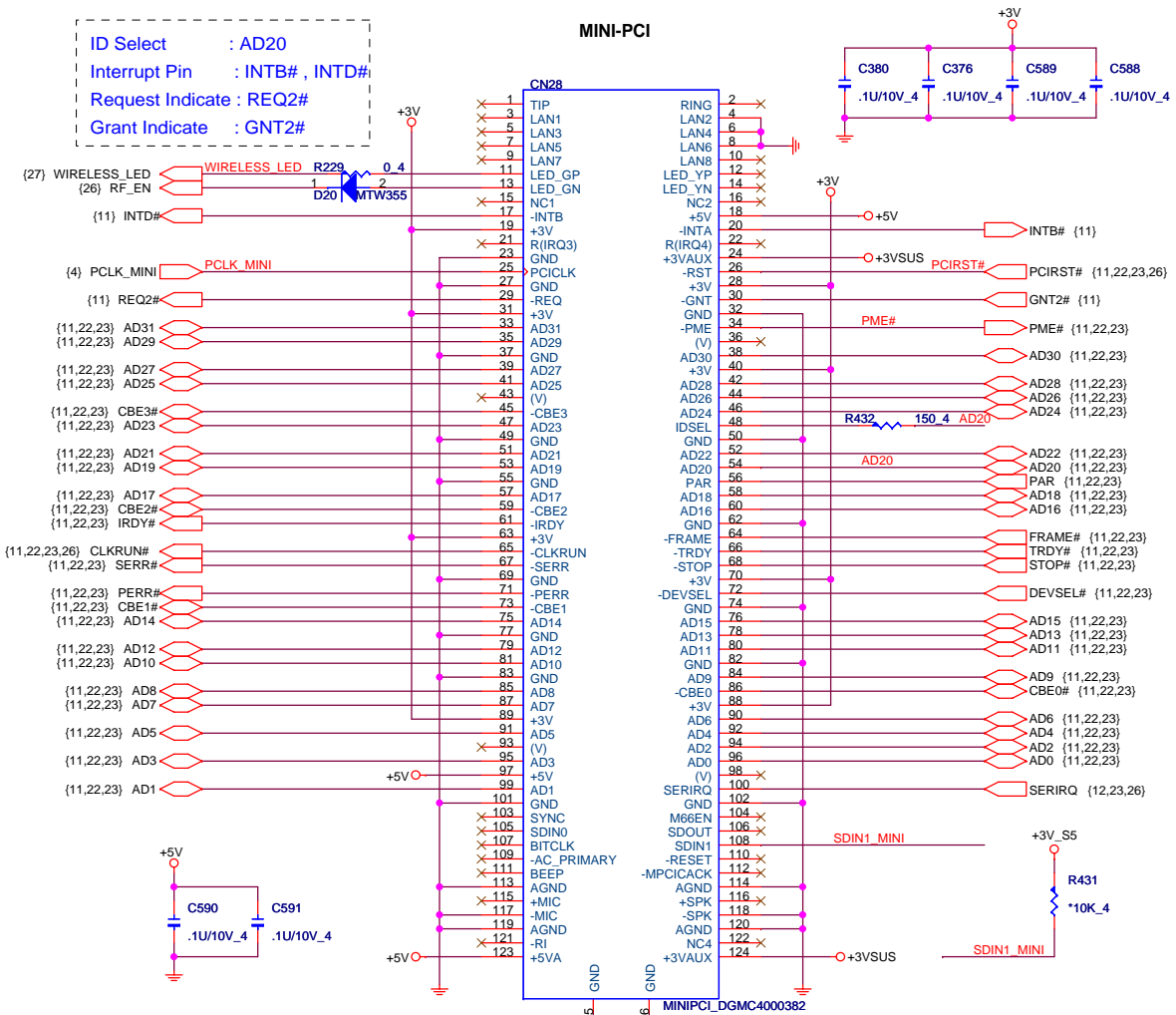


**PROJECT : ZL9**  
**Quanta Computer Inc.**

Size	Document Number	Rev
	<b>HDD &amp; CDROM</b>	3A
Date:	Monday, December 19, 2005	Sheet 20 of 32

ID Select : AD20  
 Interrupt Pin : INTB# , INTD#  
 Request Indicate : REQ2#  
 Grant Indicate : GNT2#

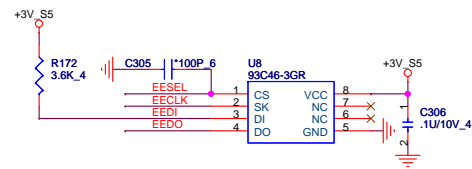
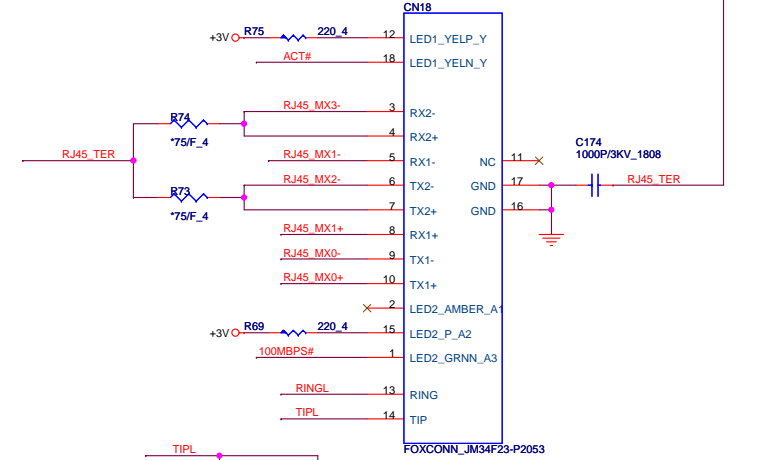
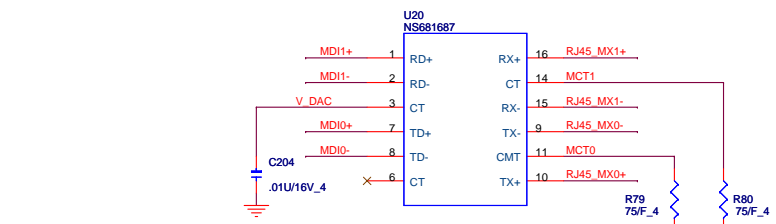
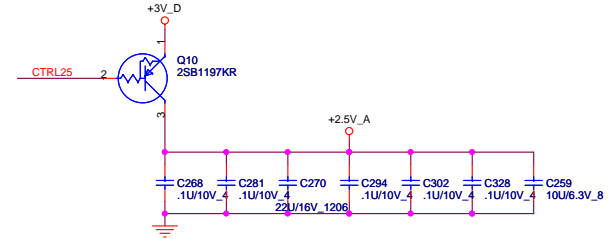
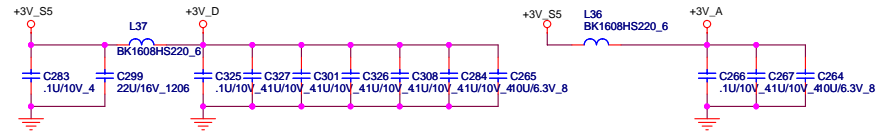
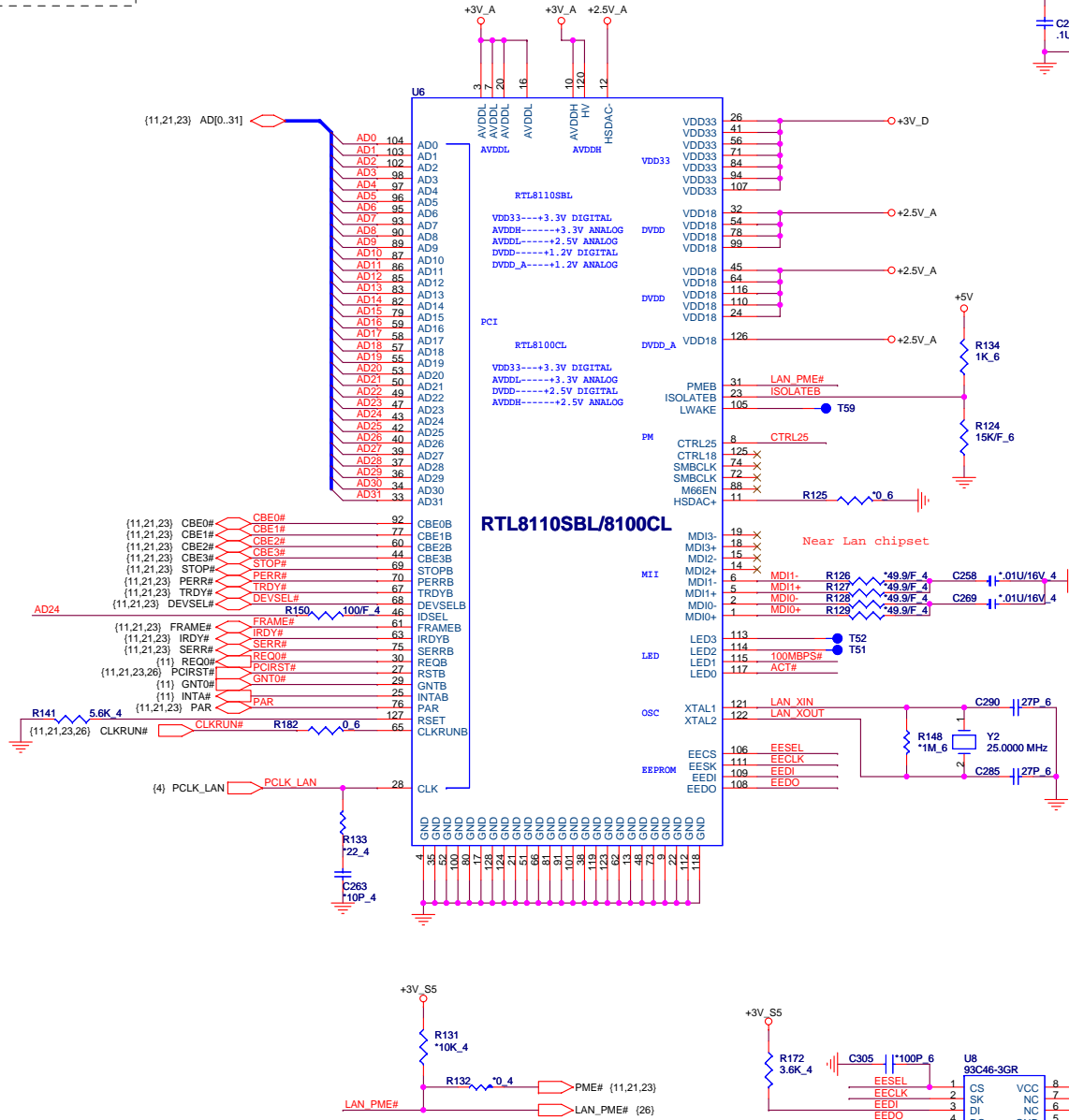
**MINI-PCI**




**PROJECT : ZL9**  
**Quanta Computer Inc.**

Size	Document Number	Rev
	<b>MINI PCI,USB</b>	3A
Date:	Monday, December 19, 2005	Sheet 21 of 32

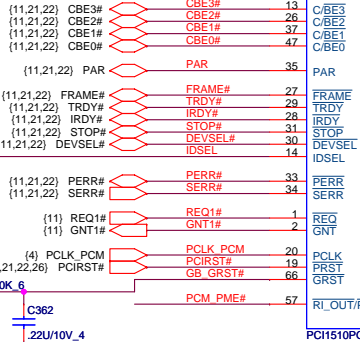
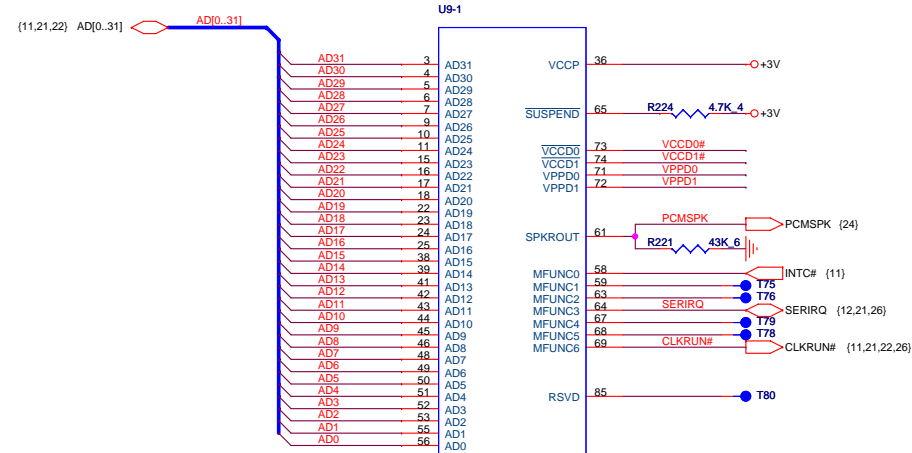
ID Select : AD24  
 Interrupt Pin : INTA#  
 Request Indicate : REQ0#  
 Grant Indicate : GNT0#



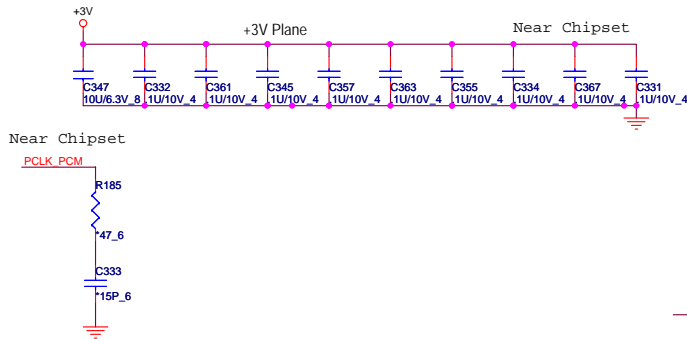
2A : modify for ESD issue



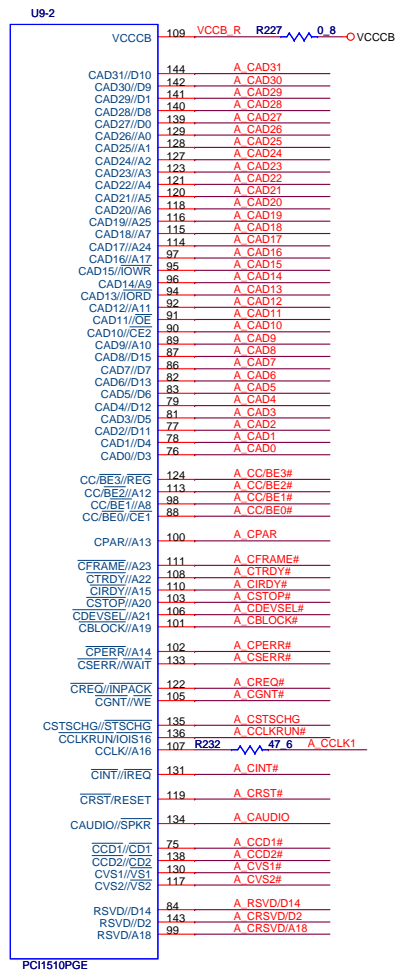
ID Select : AD17  
Interrupt Pin : INT#  
Request Indicate : REQ1#  
Grant Indicate : GNT1#



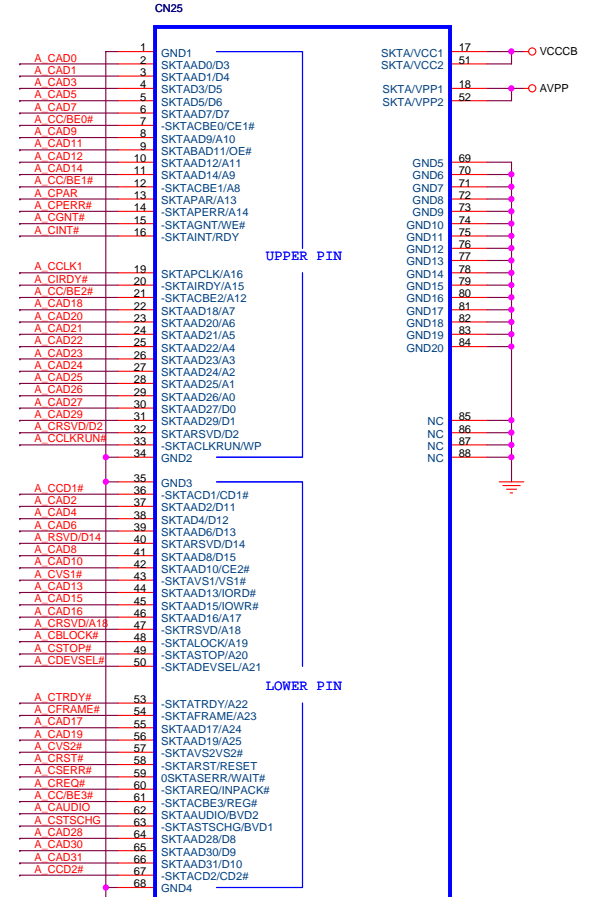
PCM\_PME# R130 0.4 PME# (11,21,22)



A CRST# R225 \*10K 6 VCCCB

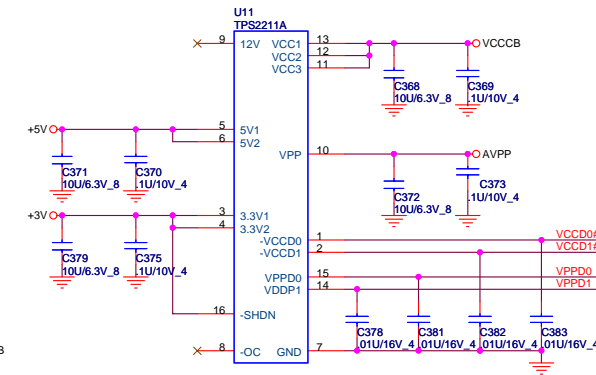


### CARDBUS SLOT

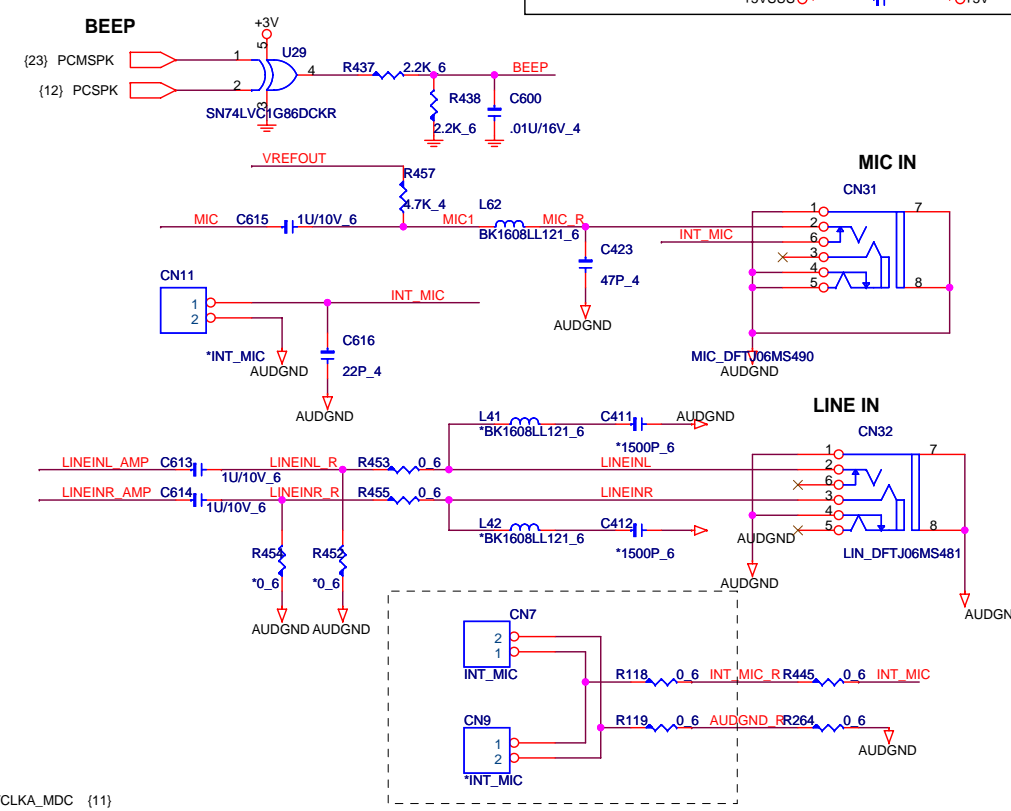
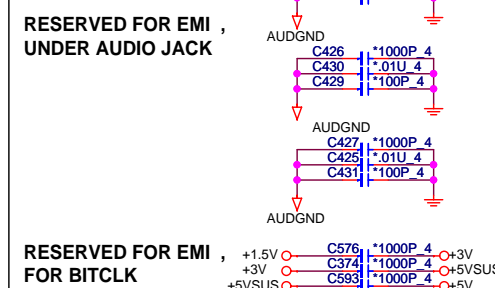
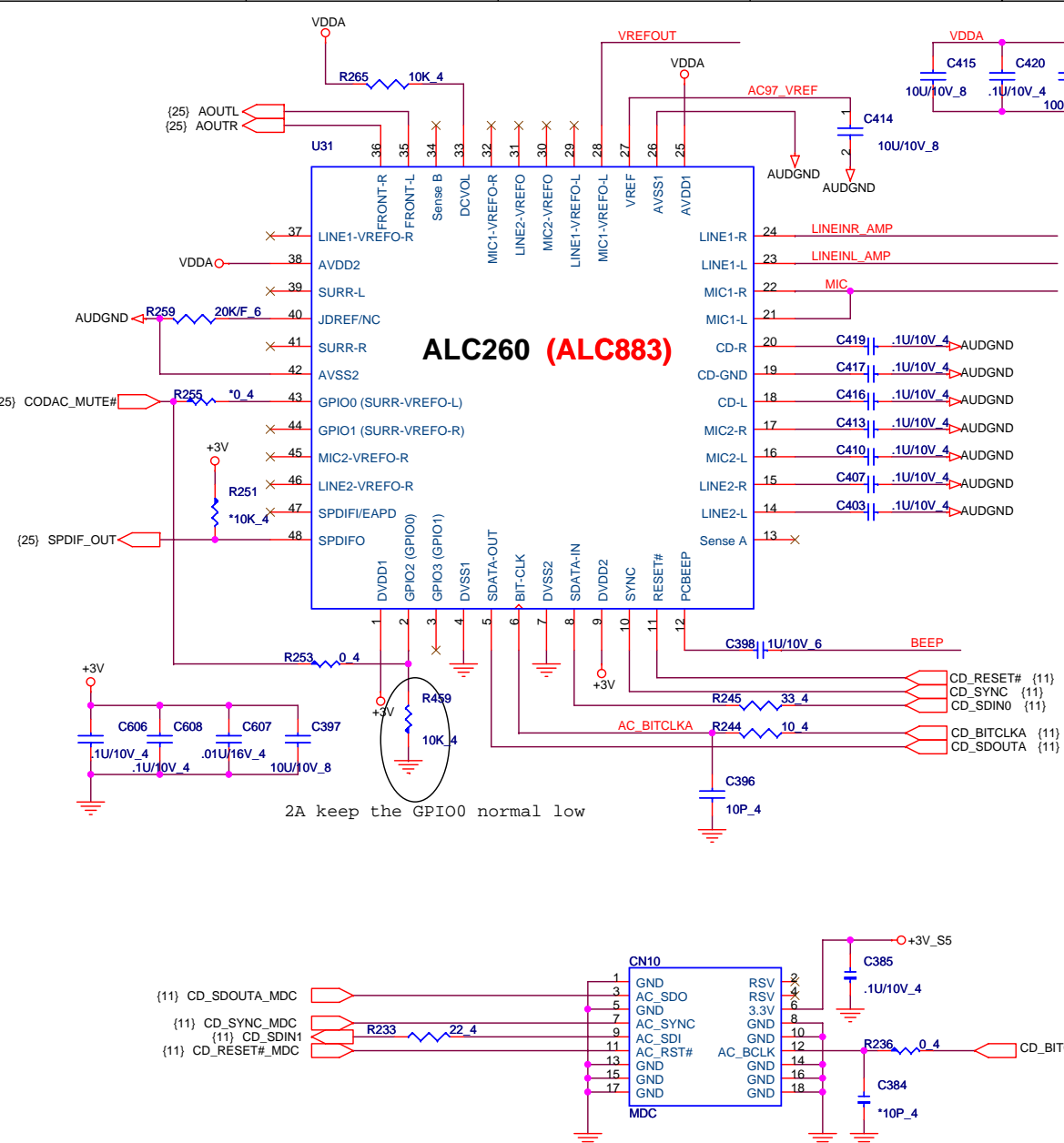



FOX\_W221131-G2

Near Slot



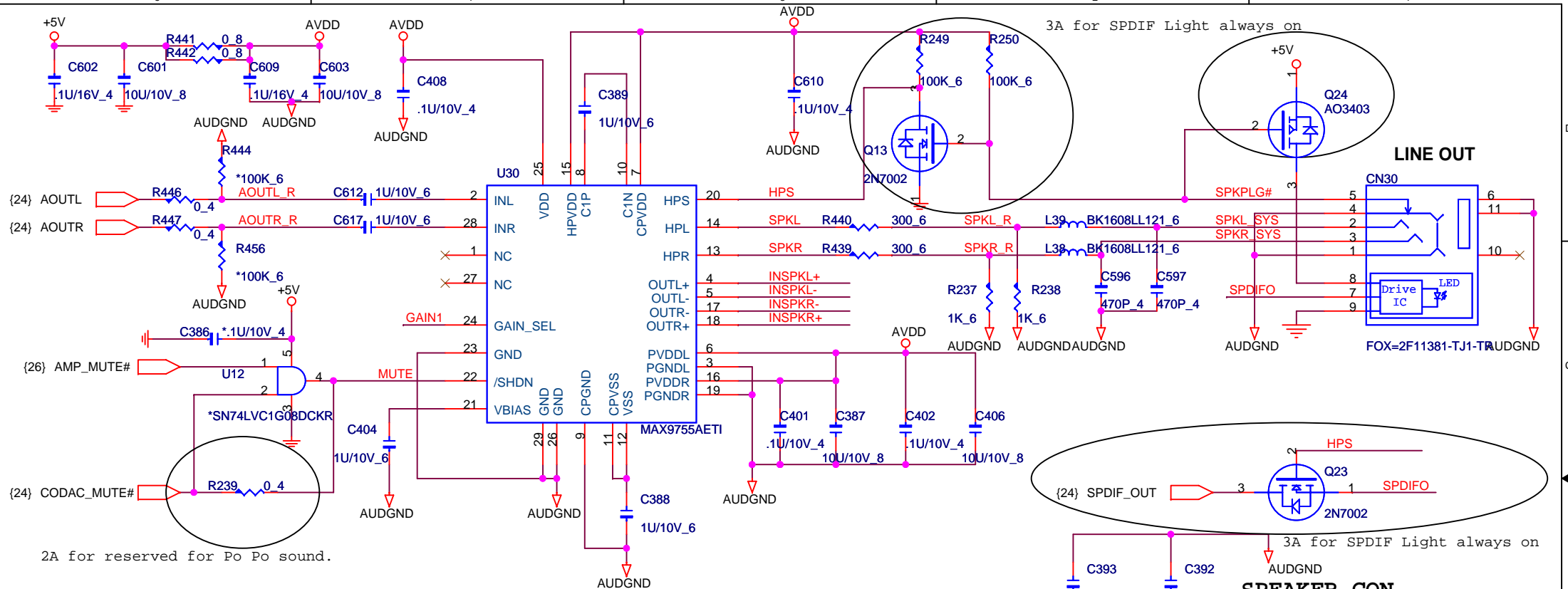
PROJECT : ZL9  
Quanta Computer Inc.



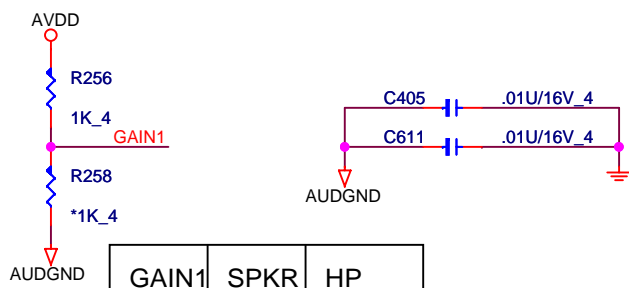


**PROJECT : ZL9**  
**Quanta Computer Inc.**

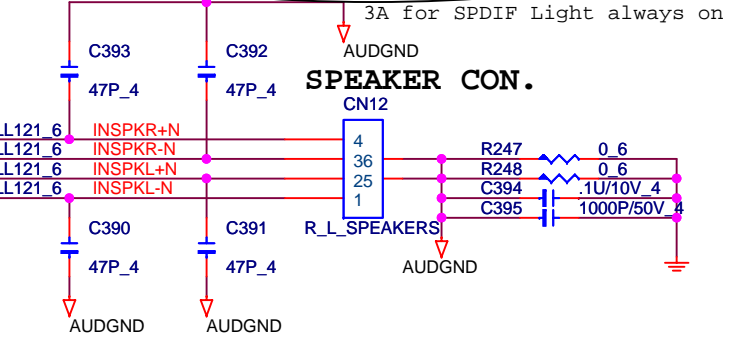
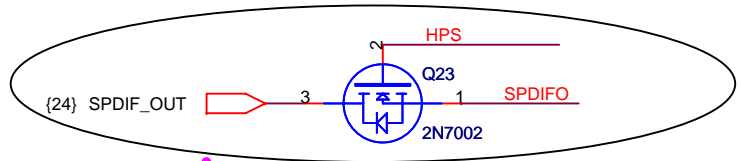
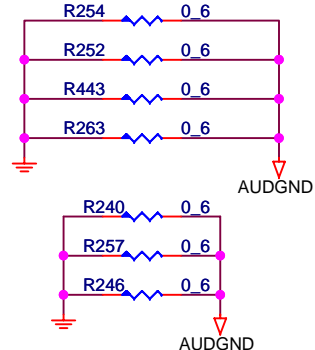
Size	Document Number <b>REALTEK ALC883</b>	Rev 3A
Date:	Monday, December 19, 2005	Sheet 24 of 32




2A for reserved for Po Po sound.



GAIN1	SPKR MODE	HP MODE
0	10.5	3
1	9	0

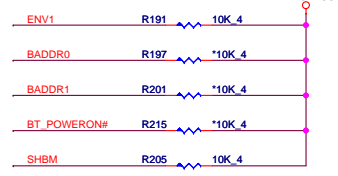
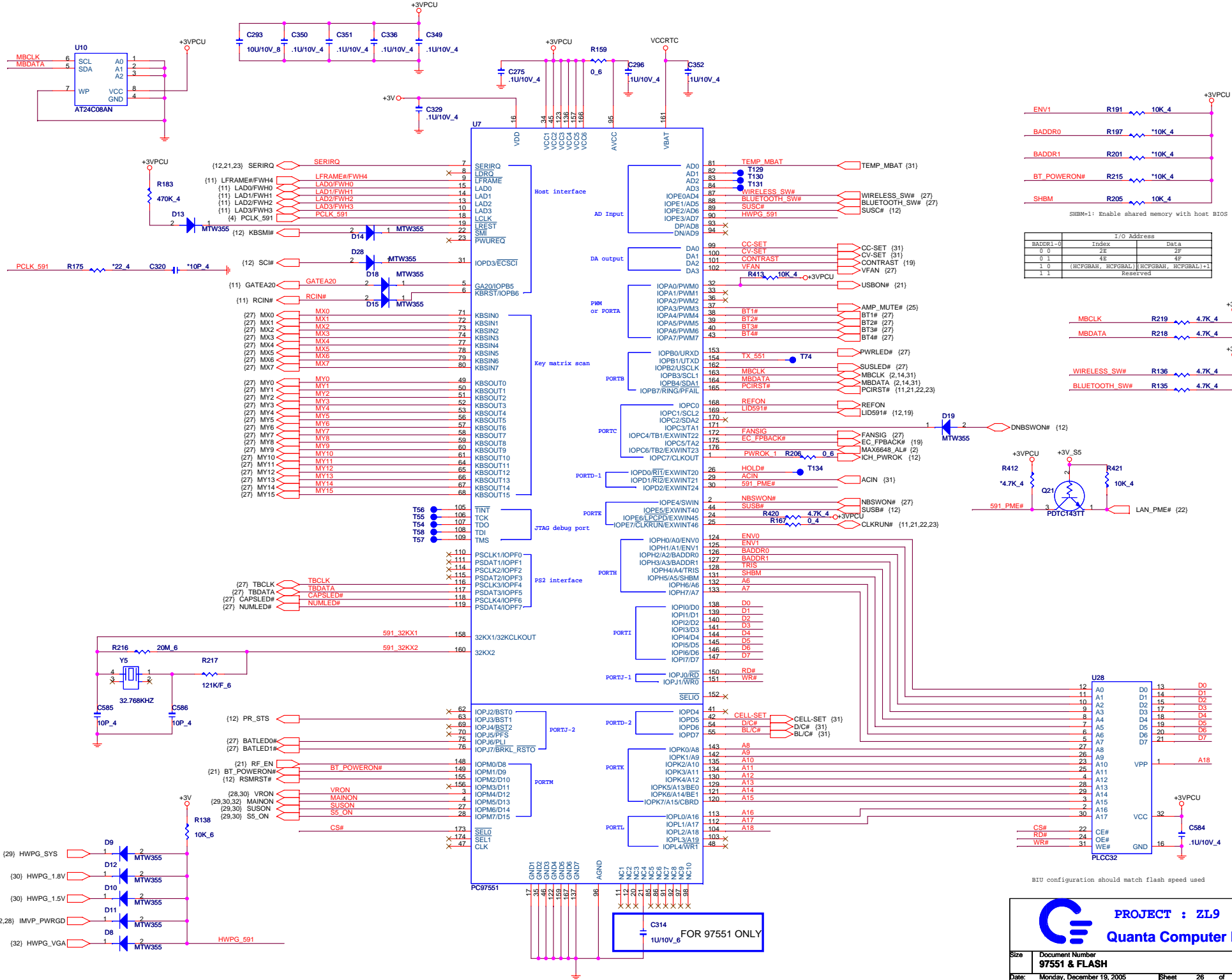




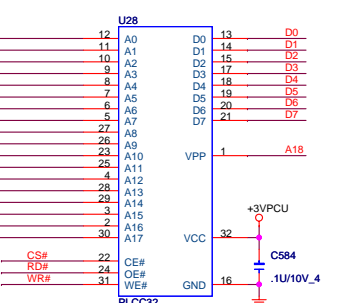
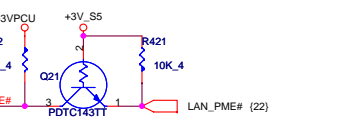
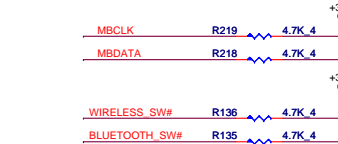
**PROJECT : ZL9**  
**Quanta Computer Inc.**

Size	Document Number	Rev
	<b>AUDIO AMP(MAX 9755)</b>	3A
Date:	Monday, December 19, 2005	Sheet 25 of 32





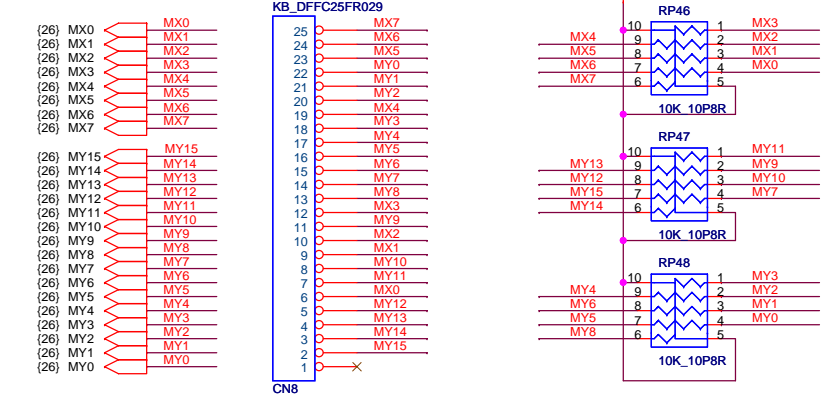
I/O Address	
Index	Data
0 0	2E 2F
0 1	4E 4F
1 0	(HCFGBAH, HCFGBAL)(HCFGBAH, HCFGBAL)+1
1 1	Reserved



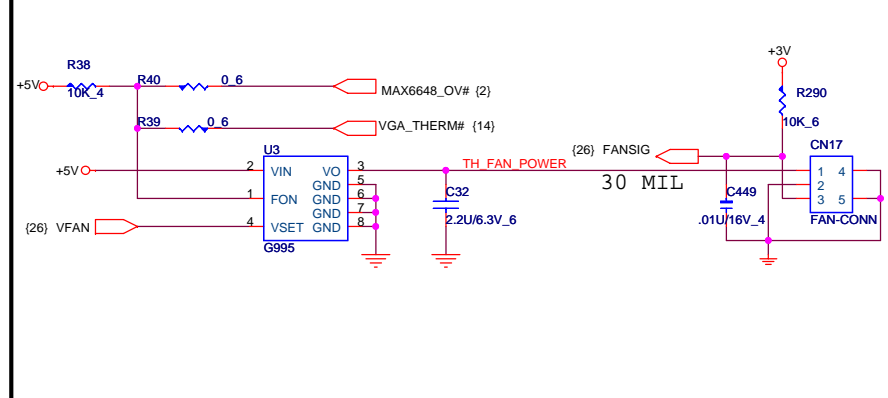
BIU configuration should match flash speed used

**PROJECT : ZL9**  
**Quanta Computer Inc.**

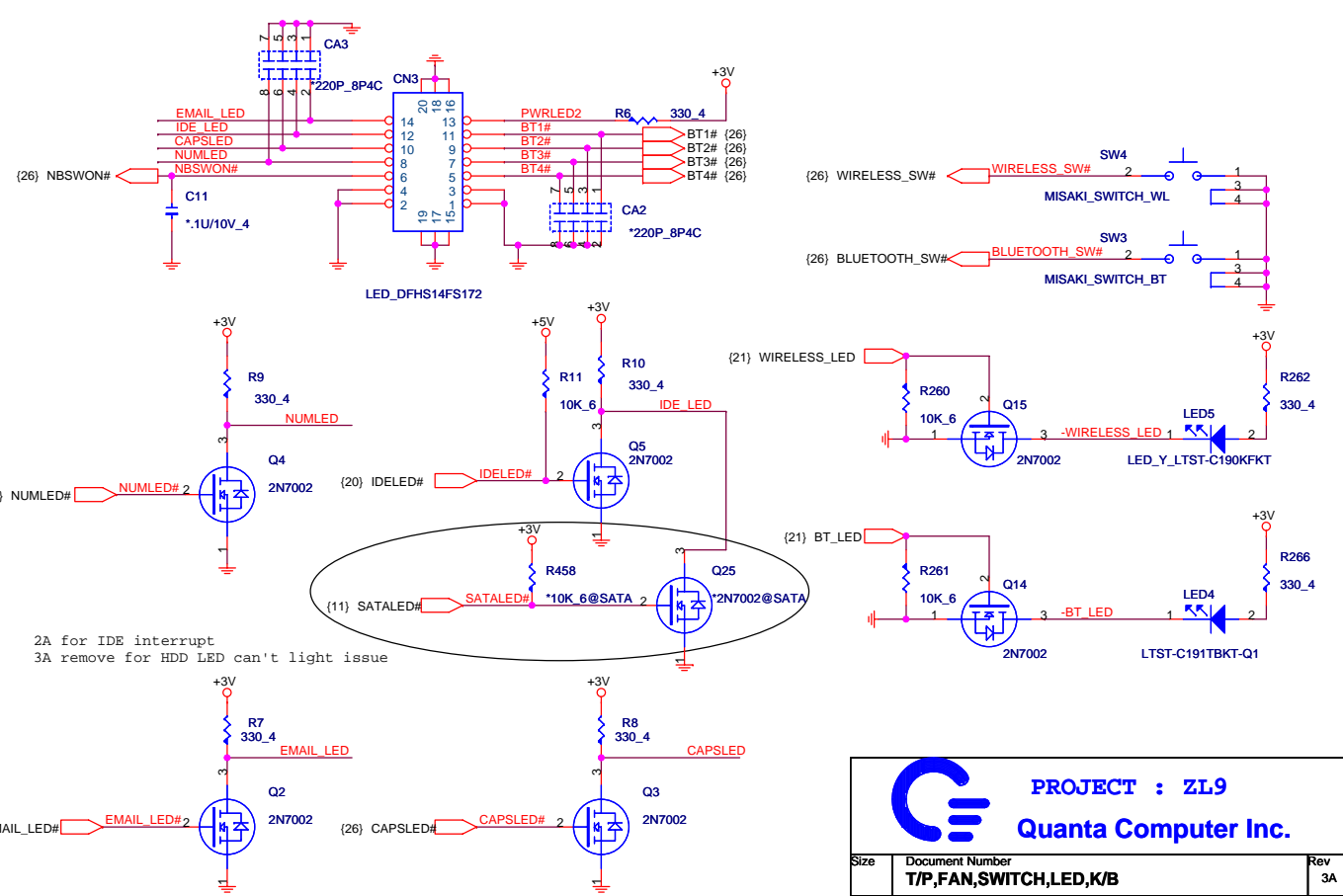
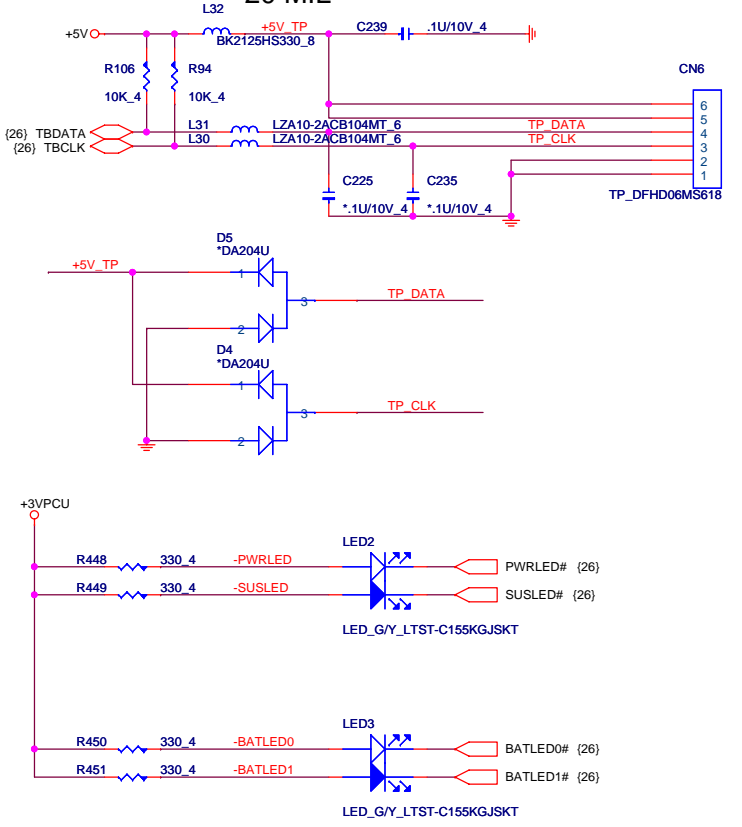
**INT K/B**



**FAN CONTROL**



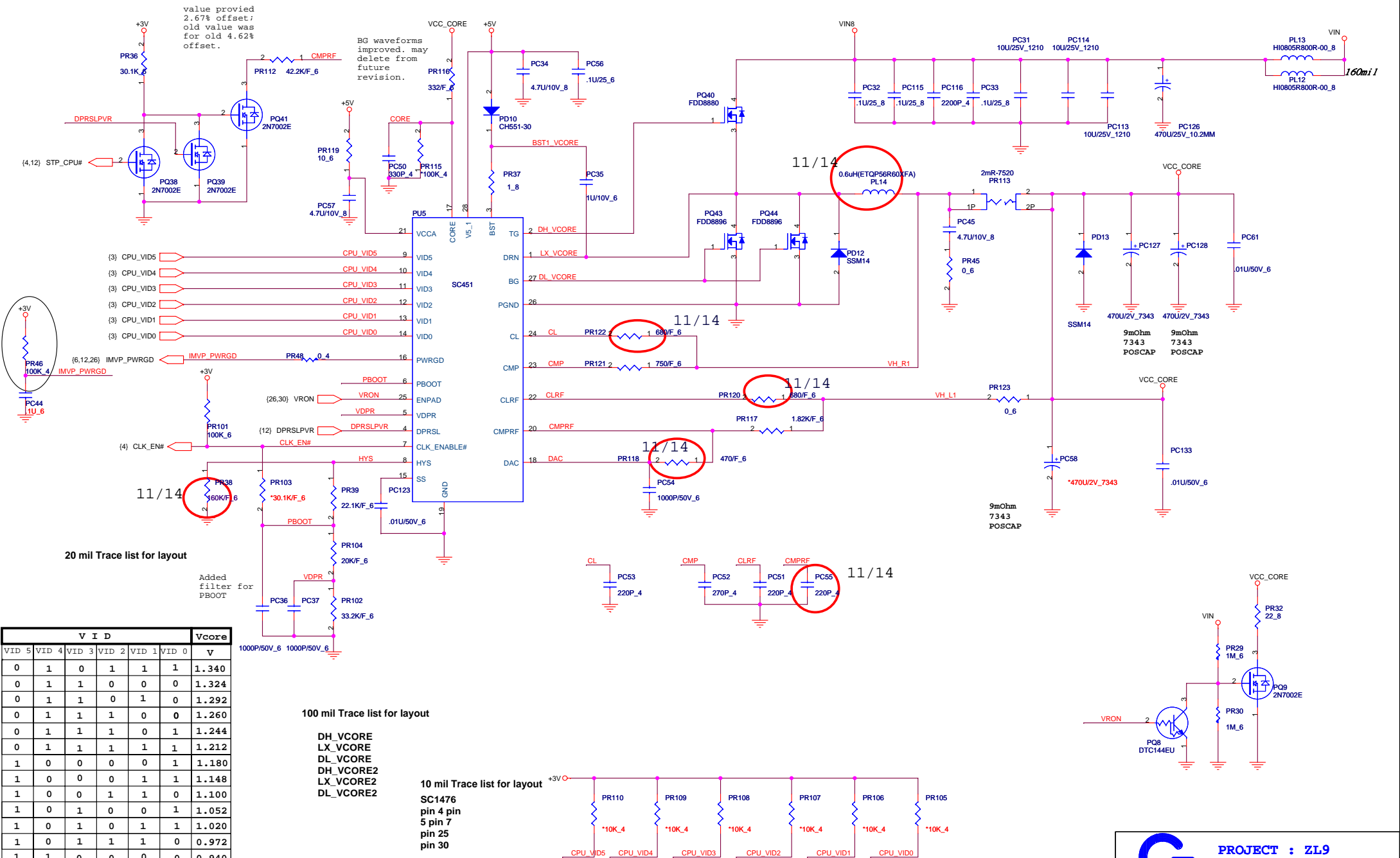
**TOUCH PAD**



**PROJECT : ZL9**  
**Quanta Computer Inc.**

Size	Document Number	Rev
	<b>T/P,FAN,SWITCH,LED,K/B</b>	<b>3A</b>
Date:	Monday, December 19, 2005	Sheet 27 of 32

value provided  
2.67% offset;  
old value was  
for old 4.62%  
offset.



**20 mil Trace list for layout**

Added filter for PBOOT

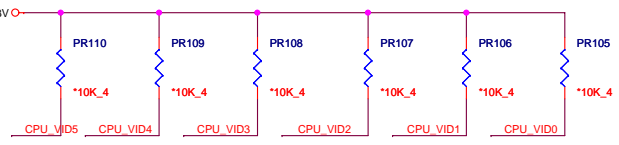
VID 5	VID 4	VID 3	VID 2	VID 1	VID 0	Vcore
0	1	0	1	1	1	1.340
0	1	1	0	0	0	1.324
0	1	1	0	1	0	1.292
0	1	1	1	0	0	1.260
0	1	1	1	0	1	1.244
0	1	1	1	1	1	1.212
1	0	0	0	0	1	1.180
1	0	0	0	1	1	1.148
1	0	0	1	1	0	1.100
1	0	1	0	0	1	1.052
1	0	1	0	1	1	1.020
1	0	1	1	1	0	0.972
1	1	0	0	0	0	0.940

**100 mil Trace list for layout**

- DH\_VCORE
- LX\_VCORE
- DL\_VCORE
- DH\_VCORE2
- LX\_VCORE2
- DL\_VCORE2

**10 mil Trace list for layout**

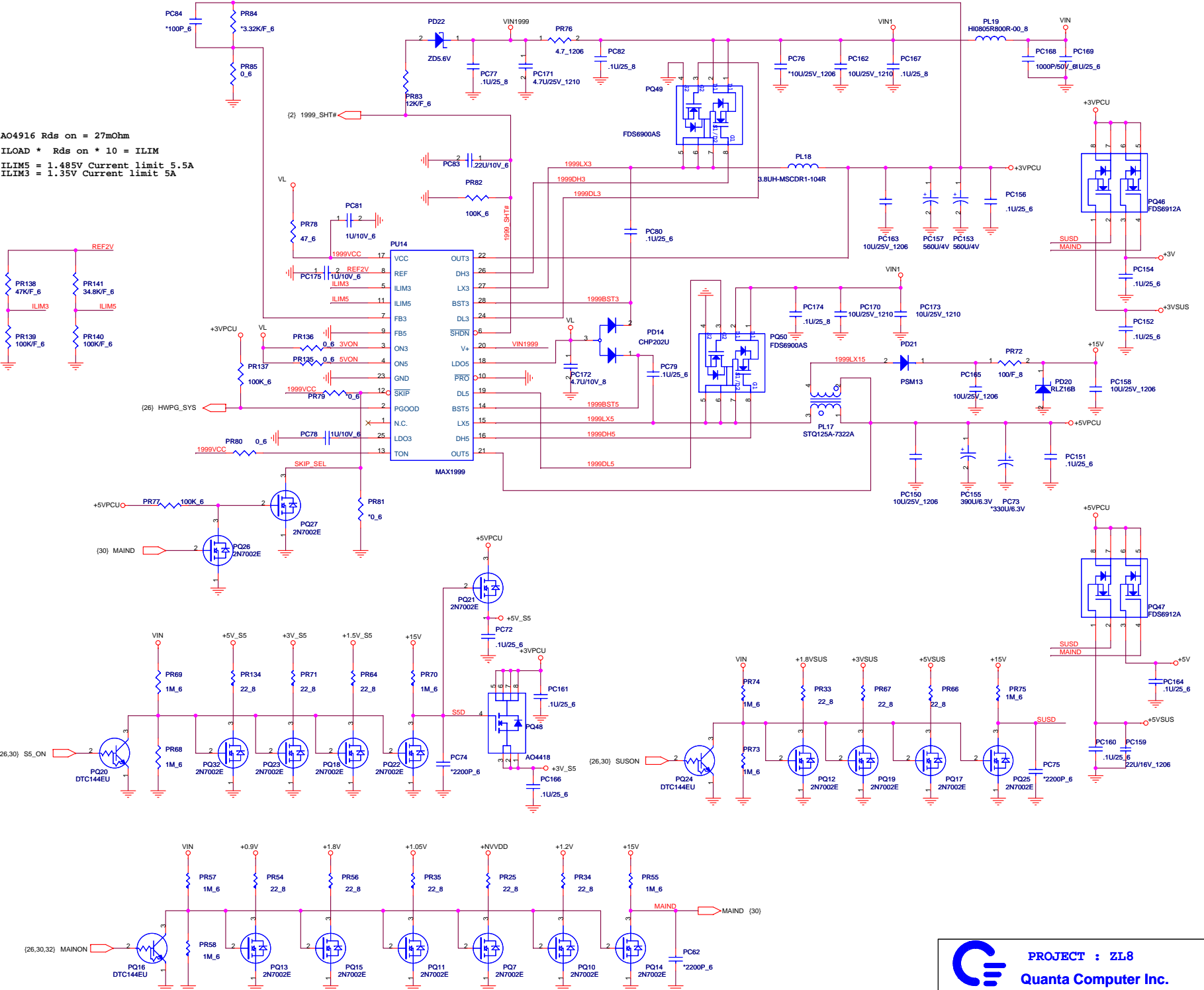
- SC1476
- pin 4 pin
- 5 pin 7
- pin 25
- pin 30

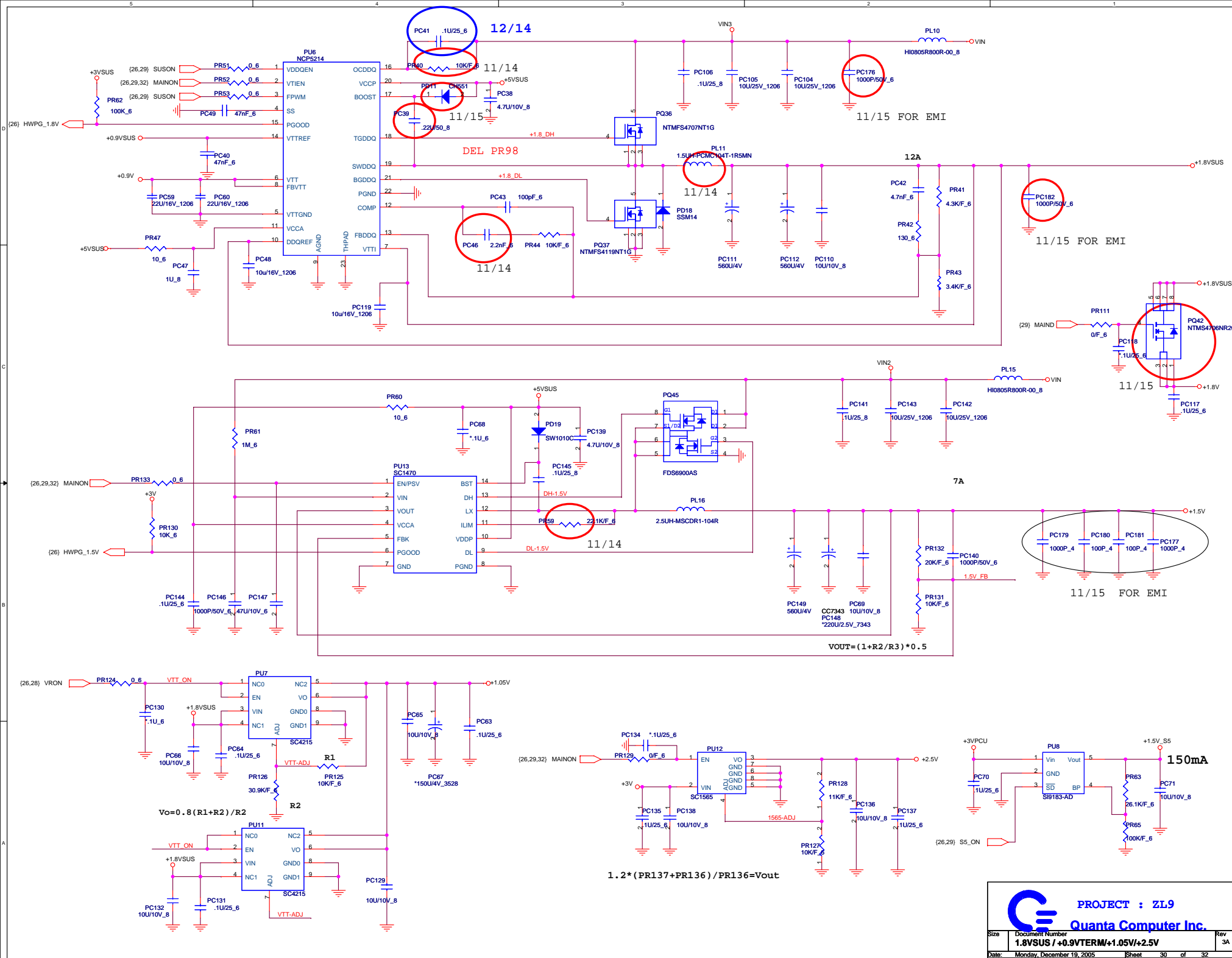


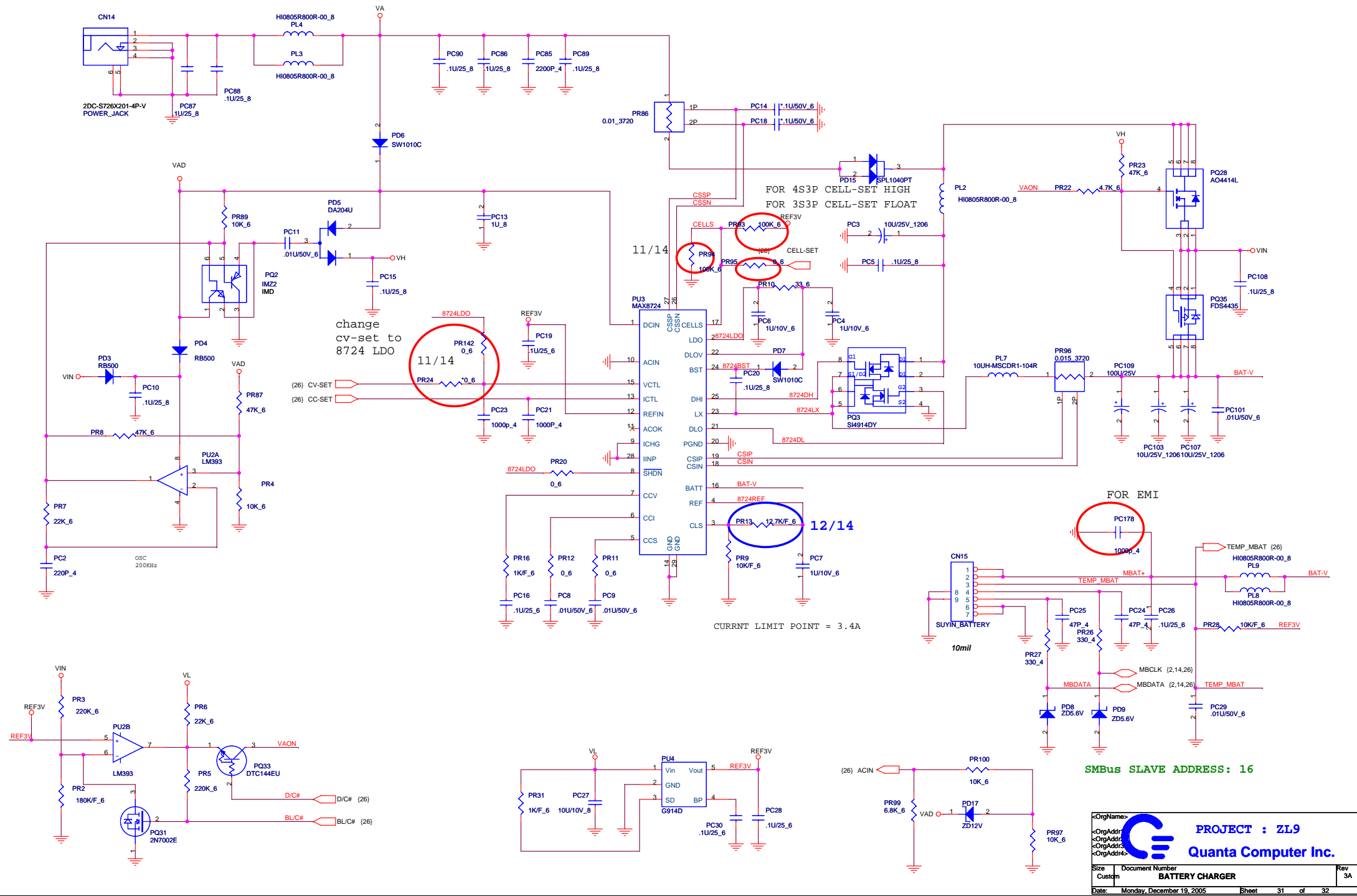
**PROJECT : Z19**  
**Quanta Computer Inc.**

Size	Document Number	Rev
Date:	<b>CPU CORE (SC451)</b>	3A
Monday, December 19, 2005	Sheet 28 of 32	

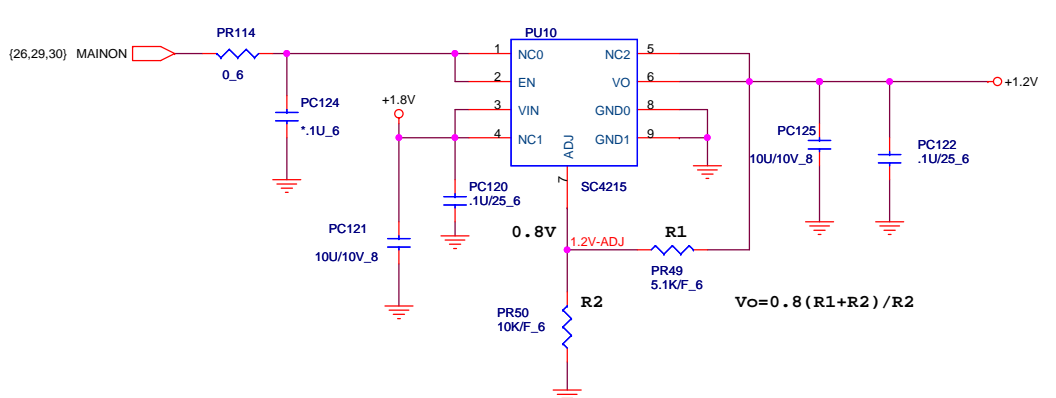
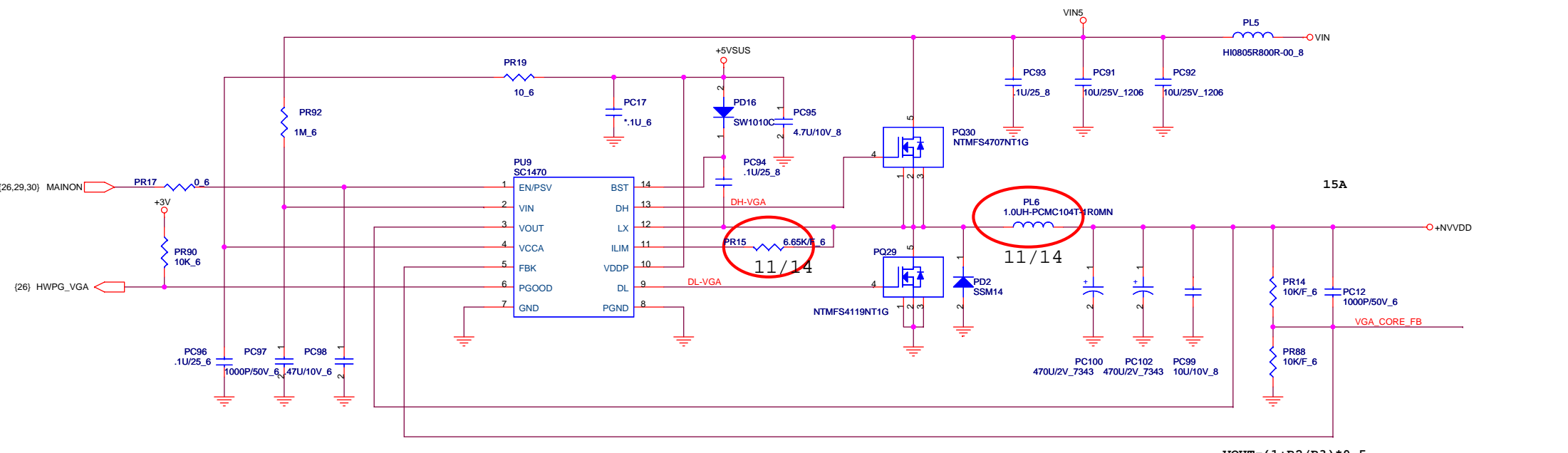
AO4916 Rds on = 27mOhm  
 ILOAD \* Rds on \* 10 = ILIM  
 ILIM5 = 1.485V Current limit 5.5A  
 ILIM3 = 1.35V Current limit 5A












		PROJECT : ZL9	
		Quanta Computer Inc.	
Size	Document Number	Rev	
	VGA CORE/+1.2V	3A	
Date:	Monday, December 19, 2005	Sheet	32 of 32